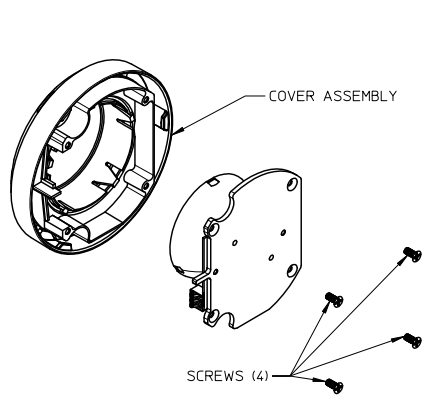


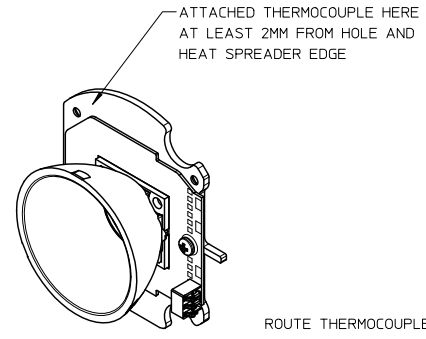
- NOTES:
- 1) MODULE MATES TO HELIEON SOCKET P/N 180080-0000.
  - 2) MODULE REQUIRES EXTERNAL HEAT SINK. RECOMMENDED MAXIMUM TEMPERATURE IS 95°C AT MEASUREMENT POINTS SHOWN ON PAGES 2 AND 3.
  - 3) MODULE IS SHIPPED WITH REMOVABLE CLEAR COVER. SEE SHEET 4 FOR REMOVAL INSTRUCTIONS.
  - 4) DECORATIVE COVER OR SECONDARY OPTICS MAY BE ATTACHED TO FRONT OF MODULE BY 3 HOLES PROVIDED. SEE SHEET 5 FOR ATTACHMENT DIMENSIONS.
  - 5) MODULE OPTIONS PROVIDE VARIOUS COLOR TEMPERATURES, LUMINOUS FLUX LEVELS, AND OPTICS. SEE SHEET 6 FOR CHARTED PART NUMBERS AND OPTIONS.

<b>ENTER DESCRIPTION</b> EC NO: SSL2011-0005 DRAWN: MCGOWAN 2010/07/26 CHKD: 2010/08/10 APPR: MCGOWAN 2010/08/10 REV	<b>QUALITY SYMBOLS</b>   	<b>GENERAL TOLERANCES (UNLESS SPECIFIED)</b>		<b>DIMENSION STYLE</b> MM/IN	<b>SCALE</b> 1:1	<b>DESIGN UNITS</b> METRIC	<b>THIRD ANGLE PROJECTION</b>	
		4 PLACES ± --- ± ---	DRAWN BY MCGOWAN	DATE 2010/02/08	<b>TITLE</b> HELIEON 80MM MODULE SALES DRAWING			
		3 PLACES ± --- ± .005	CHECKED BY DACHAMMER	DATE 2010/02/22	<b>MOLEX INCORPORATED</b>			
		2 PLACES ± 0.13 ± .01 1 PLACE ± 0.25 ± --- ANGULAR ± 1/2°	APPROVED BY MCGOWAN	DATE 2010/03/22	<b>MATERIAL NO.</b> SEE CHART	<b>DOCUMENT NO.</b> SD-180081-000	<b>SHEET NO.</b> 1 OF 7	
<b>DRAFT WHERE APPLICABLE MUST REMAIN WITHIN DIMENSIONS</b>		<b>THIS DRAWING CONTAINS INFORMATION THAT IS PROPRIETARY TO MOLEX INCORPORATED AND SHOULD NOT BE USED WITHOUT WRITTEN PERMISSION</b>						

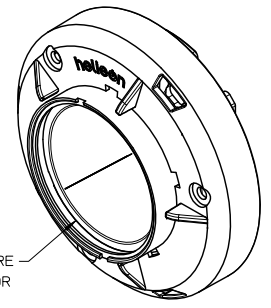
10 9 8 7 6 5 4 3 2 1



STEP 1:  
REMOVE SCREWS (4) AND  
LIFT OFF COVER ASSEMBLY



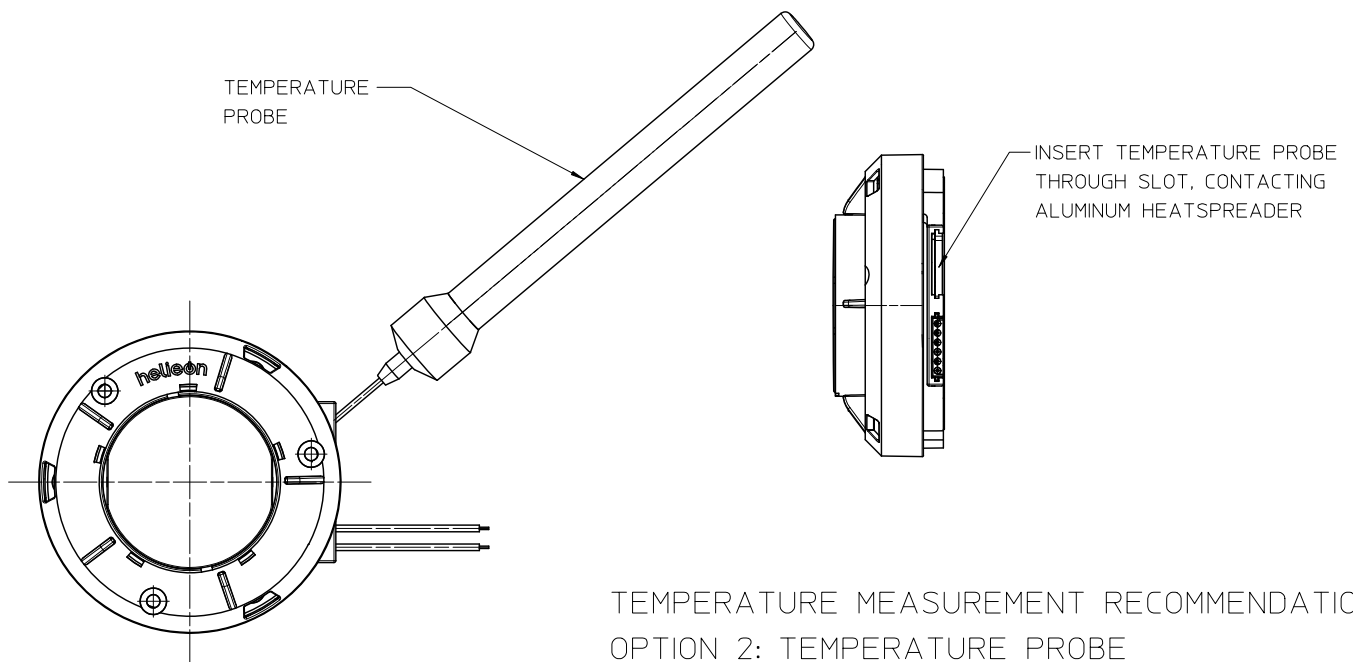
STEP 2:  
ATTACH THERMOCOUPLE WITH  
THERMALLY CONDUCTIVE EPOXY



STEP 3:  
ROUTE THERMOCOUPLE WIRE BETWEEN  
REFLECTOR AND COVER OPENING

### TEMPERATURE MEASUREMENT RECOMMENDATION OPTION 1: THERMOCOUPLE INSIDE MODULE

<b>ENTER DESCRIPTION</b> EC NO: SSL2011-0005 DRAWN:DMCGOWAN 2010/07/26 CHKD: 2010/08/10 APPR:DMCGOWAN 2010/08/10	<b>QUALITY SYMBOLS</b> $\nabla=0$ $\nabla=0$ $\nabla=0$	<b>GENERAL TOLERANCES (UNLESS SPECIFIED)</b>		<b>DIMENSION STYLE</b> MM/IN	<b>SCALE</b> 1:1	<b>DESIGN UNITS</b> METRIC	THIRD ANGLE PROJECTION		
		4 PLACES ± --- ± ---	3 PLACES ± --- ± .005	2 PLACES ± 0.13 ± .01	1 PLACE ± 0.25 ± ---	<b>DRAWN BY</b> MCGOWAN	<b>DATE</b> 2010/02/08	<b>TITLE</b> HELIEON 80MM MODULE SALES DRAWING	
		ANGULAR ±1/2°				<b>CHECKED BY</b> DACHAMMER	<b>DATE</b> 2010/02/22	<b>MOLEX INCORPORATED</b>	
		DRAFT WHERE APPLICABLE MUST REMAIN WITHIN DIMENSIONS				<b>APPROVED BY</b> DMCGOWAN	<b>DATE</b> 2010/03/22	<b>DOCUMENT NO.</b> SD-180081-000	<b>SHEET NO.</b> 2 OF 7
<b>REV</b> B	<b>DESCRIPTION</b> SEE CHART	THIS DRAWING CONTAINS INFORMATION THAT IS PROPRIETARY TO MOLEX INCORPORATED AND SHOULD NOT BE USED WITHOUT WRITTEN PERMISSION							

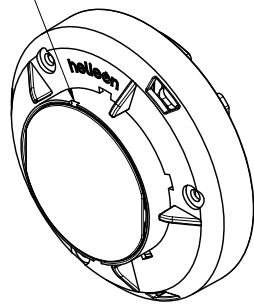


TEMPERATURE MEASUREMENT RECOMMENDATION  
OPTION 2: TEMPERATURE PROBE

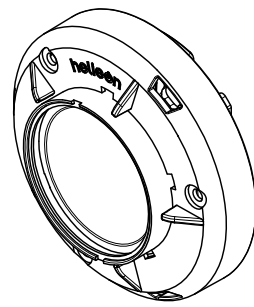
<b>ENTER DESCRIPTION</b> EC NO: SSL2011-0005 2010/07/26 DRAWN:DMCGOWAN 2010/08/10 CHKD: 2010/08/10 APPR:DMCGOWAN 2010/08/10 DESCRIPTION REV	QUALITY SYMBOLS	GENERAL TOLERANCES (UNLESS SPECIFIED)	DIMENSION STYLE MM/IN	SCALE 1:1	DESIGN UNITS METRIC	THIRD ANGLE PROJECTION
	▽=0	mm INCH	DRAWN BY MCGOWAN	DATE 2010/02/08	TITLE HELIEON 80MM MODULE SALES DRAWING	
	▽=0	4 PLACES ± --- ± ---	CHECKED BY DACHAMMER	DATE 2010/02/22		
	▽=0	3 PLACES ± --- ± .005	APPROVED BY DMCGOWAN	DATE 2010/03/22	MATERIAL NO. SEE CHART	DOCUMENT NO. SD-180081-000
		2 PLACES ± 0.13 ± .01				
		1 PLACE ± 0.25 ± ---				
		ANGULAR ± 1/2°				
		DRAFT WHERE APPLICABLE MUST REMAIN WITHIN DIMENSIONS				
			SIZE B	THIS DRAWING CONTAINS INFORMATION THAT IS PROPRIETARY TO MOLEX INCORPORATED AND SHOULD NOT BE USED WITHOUT WRITTEN PERMISSION		

10 9 8 7 6 5 4 3 2 1

INSERT FLATHEAD SCREWDRIVER  
IN SLOT (2) TO REMOVE CLEAR COVER  
(SLOT IS 3MM/.12INCH WIDE)



MODULE WITH CLEAR COVER  
(AS SHIPPED)

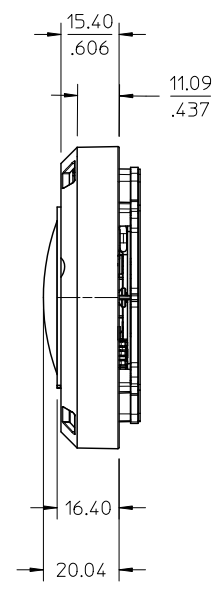
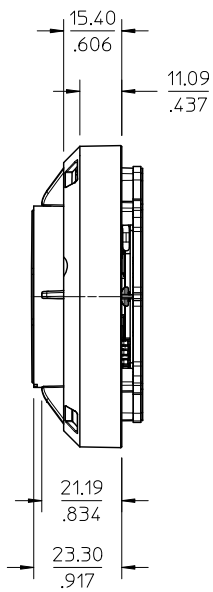
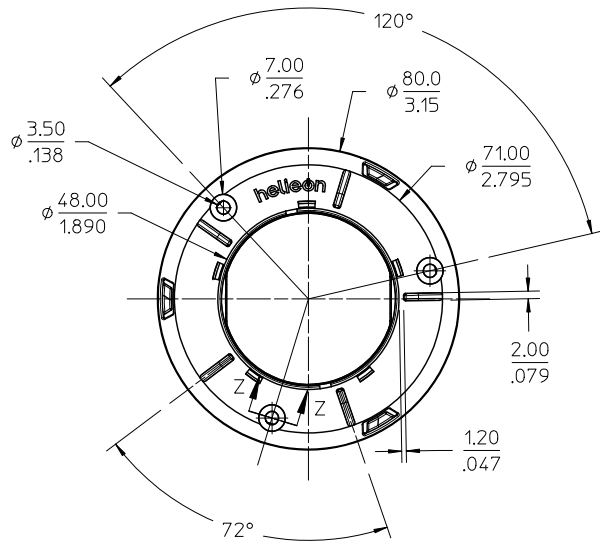


MODULE AFTER CLEAR  
COVER REMOVAL

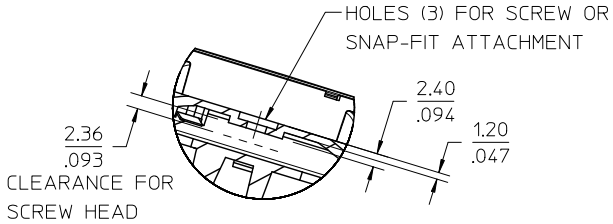
### CLEAR COVER REMOVAL INSTRUCTIONS

<b>ENTER DESCRIPTION</b> EC NO: SSL2011-0005 2010/07/26 DRAWN:DMCGOWAN 2010/08/10 CHKD: 2010/08/10 APPR:DMCGOWAN 2010/08/10 DESCRIPTION REV	QUALITY SYMBOLS	GENERAL TOLERANCES (UNLESS SPECIFIED)		DIMENSION STYLE	SCALE	DESIGN UNITS	THIRD ANGLE PROJECTION
	$\nabla=0$	mm	INCH	MM/IN	1:1	METRIC	
	$\nabla=0$	4 PLACES ± --- ± ---		DRAWN BY	DATE	TITLE	
	$\nabla=0$	3 PLACES ± --- ± .005		MCGOWAN	2010/02/08	HELIEON 80MM MODULE SALES DRAWING	
	2 PLACES ± 0.13 ± .01		CHECKED BY	DATE	MOLEX INCORPORATED DOCUMENT NO. SD-180081-000 SHEET NO. 4 OF 7		
	1 PLACE ± 0.25 ± ---		DACHAMMER	2010/02/22			
	ANGULAR ± 1/2°		APPROVED BY	DATE	THIS DRAWING CONTAINS INFORMATION THAT IS PROPRIETARY TO MOLEX INCORPORATED AND SHOULD NOT BE USED WITHOUT WRITTEN PERMISSION		
			DMCGOWAN	2010/03/22			
	DRAFT WHERE APPLICABLE MUST REMAIN WITHIN DIMENSIONS		MATERIAL NO.	SEE CHART			
			SIZE	B			

9 8 7 6 5 4 3 2 1



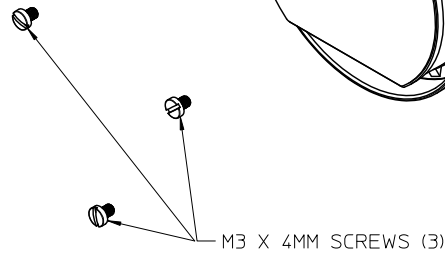
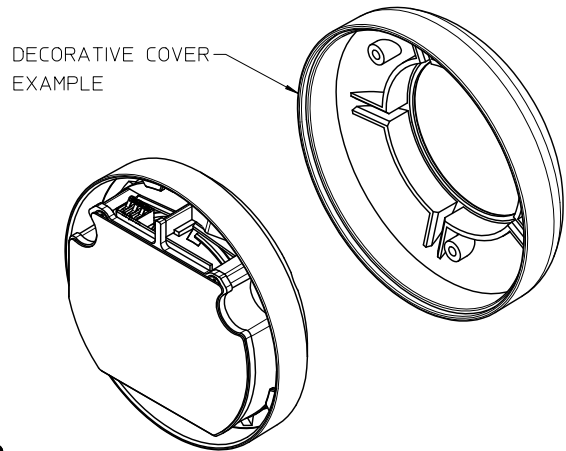
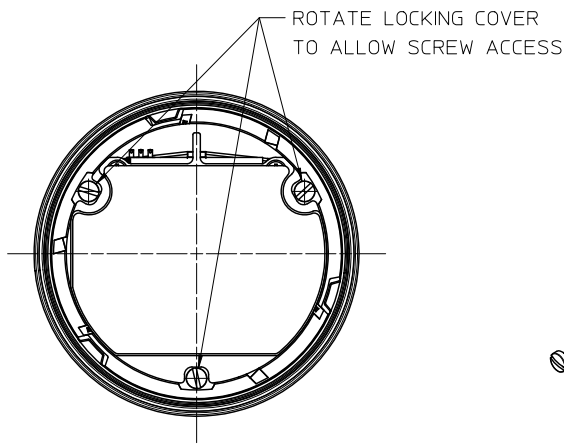
DIMENSIONS FOR DECORATIVE COVER  
OR SECONDARY OPTIC ATTACHMENT



SECTION Z-Z  
SCALE 1.5:1

<b>ENTER DESCRIPTION</b> EC NO: SSL2011-0005 DRAWN: MCGOWAN 2010/07/26 CHKD: 2010/08/10 APPR: MCGOWAN 2010/08/10	<b>QUALITY SYMBOLS</b> ▽=0 ▽=0 ▽=0	<b>GENERAL TOLERANCES (UNLESS SPECIFIED)</b>		<b>DIMENSION STYLE</b> MM/IN	<b>SCALE</b> 1:1	<b>DESIGN UNITS</b> METRIC	THIRD ANGLE PROJECTION
		4 PLACES ± --- ± ---	DRAWN BY MCGOWAN	DATE 2010/02/08	<b>TITLE</b> HELIEON 80MM MODULE SALES DRAWING		
		3 PLACES ± --- ± .005	CHECKED BY DACHAMMER	DATE 2010/02/22	<b>MATERIAL NO.</b> DMCGOWAN		
		2 PLACES ± 0.13 ± .01	APPROVED BY DMCGOWAN	DATE 2010/03/22	<b>DOCUMENT NO.</b> SD-180081-000	<b>SHEET NO.</b> 5 OF 7	
1 PLACE ± 0.25 ± ---	ANGULAR ± 1/2°	<b>DRAFT WHERE APPLICABLE MUST REMAIN WITHIN DIMENSIONS</b>		<b>SIZE</b> B	THIS DRAWING CONTAINS INFORMATION THAT IS PROPRIETARY TO MOLEX INCORPORATED AND SHOULD NOT BE USED WITHOUT WRITTEN PERMISSION		

lb\_frame\_B\_P\_AM.T  
Rev. F 2009/06/18



### DECORATIVE COVER ATTACHMENT - EXAMPLE

**NOTES:**

- 1) DECORATIVE COVER AND SCREW ATTACHMENT METHOD SHOWN IS FOR ILLUSTRATION ONLY.
- 2) LIMIT WEIGHT OF DECORATIVE COVER TO 10 N (2 LBS) MAX.
- 3) SCREW DIMENSIONS SHOWN ARE FOR THE EXAMPLE DECORATIVE COVER ONLY. ALTERNATE DECORATIVE COVERS MAY REQUIRE OTHER SCREW LENGTHS.

<b>ENTER DESCRIPTION</b> EC NO: SSL2011-0005 DRAWN:DMCGOWAN 2010/07/26 CHKD: 2010/08/10 APPR:DMCGOWAN 2010/08/10 DESCRIPTION REV	QUALITY SYMBOLS	GENERAL TOLERANCES (UNLESS SPECIFIED)		DIMENSION STYLE MM/IN		SCALE 1:1	DESIGN UNITS METRIC	THIRD ANGLE PROJECTION
	▽=0	mm	INCH	DRAWN BY MCGOWAN	DATE 2010/02/08	TITLE HELIEON 80MM MODULE SALES DRAWING		
	▽=0	4 PLACES ± --- ± ---		CHECKED BY DACHAMMER	DATE 2010/02/22	MATERIAL NO. SD-180081-000		
	▽=0	3 PLACES ± --- ± .005		APPROVED BY DMCGOWAN	DATE 2010/03/22	DOCUMENT NO. SD-180081-000		
		2 PLACES ± 0.13 ± .01		DRAFT WHERE APPLICABLE MUST REMAIN WITHIN DIMENSIONS		SHEET NO. 6 OF 7		
		1 PLACE ± 0.25 ± ---		SEE CHART		THIS DRAWING CONTAINS INFORMATION THAT IS PROPRIETARY TO MOLEX INCORPORATED AND SHOULD NOT BE USED WITHOUT WRITTEN PERMISSION		
		ANGULAR ± 1/2°		SIZE B				

ASSEMBLY PART NUMBER	COLOR TEMPERATURE	LUMINOUS FLUX	BEAM ANGLE (FULL WIDTH HALF MAXIMUM)	700mA PERFORMANCE			1050mA PERFORMANCE			1400mA PERFORMANCE			MODULE STATUS
				LUMENS	VOLTAGE	WATTAGE	LUMENS	VOLTAGE	WATTAGE	LUMENS	VOLTAGE	WATTAGE	
180081-2220	3000K (WARM)	STANDARD	NARROW FLOOD - 24°	490	11.4 V	7.9 W	710	11.9 V	12.4 W	860	12.3 V	17.2 W	TOOLED
180081-2230	3000K (WARM)	STANDARD	FLOOD - 32°	490	11.4 V	7.9 W	710	11.9 V	12.4 W	860	12.3 V	17.2 W	TOOLED
180081-2250	3000K (WARM)	STANDARD	WIDE FLOOD - 50°	490	11.4 V	7.9 W	710	11.9 V	12.4 W	860	12.3 V	17.2 W	TOOLED
180081-2270	3000K (WARM)	STANDARD	DIFFUSE-STANDARD HEIGHT - 91°	490	11.4 V	7.9 W	710	11.9 V	12.4 W	860	12.3 V	17.2 W	NOT TOOLED
180081-2280	3000K (WARM)	STANDARD	DIFFUSE-LOW PROFILE - 100°	490	11.4 V	7.9 W	710	11.9 V	12.4 W	860	12.3 V	17.2 W	NOT TOOLED
180081-2320	3000K (WARM)	HIGH	NARROW FLOOD - 24°	730	17.2 V	12.0 W	1040	17.9 V	18.8 W	1330	18.5 V	25.8 W	TOOLED
180081-2330	3000K (WARM)	HIGH	FLOOD - 32°	730	17.2 V	12.0 W	1040	17.9 V	18.8 W	1330	18.5 V	25.8 W	TOOLED
180081-2350	3000K (WARM)	HIGH	WIDE FLOOD - 50°	730	17.2 V	12.0 W	1040	17.9 V	18.8 W	1330	18.5 V	25.8 W	TOOLED
180081-2370	3000K (WARM)	HIGH	DIFFUSE-STANDARD HEIGHT - 91°	730	17.2 V	12.0 W	1040	17.9 V	18.8 W	1330	18.5 V	25.8 W	NOT TOOLED
180081-2380	3000K (WARM)	HIGH	DIFFUSE-LOW PROFILE - 100°	730	17.2 V	12.0 W	1040	17.9 V	18.8 W	1330	18.5 V	25.8 W	NOT TOOLED
180081-4220	4100K (NEUTRAL)	STANDARD	NARROW FLOOD - 24°	550	11.4 V	7.9 W	800	11.9 V	12.4 W	1020	12.3 V	17.2 W	TOOLED
180081-4230	4100K (NEUTRAL)	STANDARD	FLOOD - 32°	550	11.4 V	7.9 W	800	11.9 V	12.4 W	1020	12.3 V	17.2 W	TOOLED
180081-4250	4100K (NEUTRAL)	STANDARD	WIDE FLOOD - 50°	550	11.4 V	7.9 W	800	11.9 V	12.4 W	1020	12.3 V	17.2 W	TOOLED
180081-4270	4100K (NEUTRAL)	STANDARD	DIFFUSE-STANDARD HEIGHT - 91°	550	11.4 V	7.9 W	800	11.9 V	12.4 W	1020	12.3 V	17.2 W	NOT TOOLED
180081-4280	4100K (NEUTRAL)	STANDARD	DIFFUSE-LOW PROFILE - 100°	550	11.4 V	7.9 W	800	11.9 V	12.4 W	1020	12.3 V	17.2 W	NOT TOOLED
180081-4320	4100K (NEUTRAL)	HIGH	NARROW FLOOD - 24°	840	17.2 V	12.0 W	1200	17.9 V	18.8 W	1530	18.5 V	25.8 W	TOOLED
180081-4330	4100K (NEUTRAL)	HIGH	FLOOD - 32°	840	17.2 V	12.0 W	1200	17.9 V	18.8 W	1530	18.5 V	25.8 W	TOOLED
180081-4350	4100K (NEUTRAL)	HIGH	WIDE FLOOD - 50°	840	17.2 V	12.0 W	1200	17.9 V	18.8 W	1530	18.5 V	25.8 W	TOOLED
180081-4370	4100K (NEUTRAL)	HIGH	DIFFUSE-STANDARD HEIGHT - 91°	840	17.2 V	12.0 W	1200	17.9 V	18.8 W	1530	18.5 V	25.8 W	NOT TOOLED
180081-4380	4100K (NEUTRAL)	HIGH	DIFFUSE-LOW PROFILE - 100°	840	17.2 V	12.0 W	1200	17.9 V	18.8 W	1530	18.5 V	25.8 W	NOT TOOLED

P/N 180081-ABCD

- D = 0 (CONSTANT CURRENT POWER SUPPLY)
- C = 2 (NARROW FLOOD - 24°), 3 (FLOOD - 32°), 5 (WIDE FLOOD - 50°)  
7 (DIFFUSE-STANDARD HEIGHT - 91°), 8 (DIFFUSE-LOW PROFILE - 100°)
- B = 2 (STANDARD FLUX), 3 (HIGH FLUX)
- A = 2 (3000K - WARM), 4 (4100K - NEUTRAL)

LUMEN, VOLTAGE, AND WATTAGE LEVELS ARE NOMINAL AT LED CASE TEMPERATURE = 60°C (50°C AT MODULE MEASUREMENT POINT). VALUE RANGES ARE ±10% OF THE NOMINAL VALUES.

<b>ENTER DESCRIPTION</b> EC NO: SSL2011-0005 2010/07/26 DRAWN:DMCGOWAN CHKD: CHYKD 2010/08/10 APPR:DMCGOWAN 2010/08/10 DESCRIPTION REV	QUALITY SYMBOLS	GENERAL TOLERANCES (UNLESS SPECIFIED)	DIMENSION STYLE	SCALE	DESIGN UNITS	THIRD ANGLE PROJECTION	
	▽=0	mm INCH	MM/IN	1:1	METRIC		
	▽=0	4 PLACES ± --- ± ---	DRAWN BY DATE	MCGOWAN 2010/02/08	TITLE	HELIEON 80MM MODULE SALES DRAWING	
	▽=0	3 PLACES ± --- ±.005	CHECKED BY DATE	DACHAMMER 2010/02/22	MOLEX INCORPORATED		
	2 PLACES ± 0.13 ±.01	APPROVED BY DATE	DMCGOWAN 2010/03/22	MATERIAL NO.	DOCUMENT NO.	SHEET NO.	
	1 PLACE ± 0.25 ± ---	ANGULAR ±1/2°	SEE CHART		SD-180081-000	7 OF 7	
		DRAFT WHERE APPLICABLE MUST REMAIN WITHIN DIMENSIONS	THIS DRAWING CONTAINS INFORMATION THAT IS PROPRIETARY TO MOLEX INCORPORATED AND SHOULD NOT BE USED WITHOUT WRITTEN PERMISSION				