

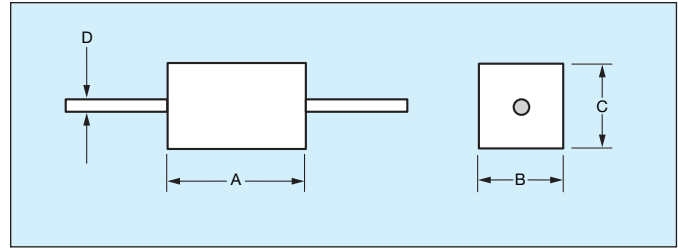
## GENERAL DESCRIPTION

AVX HR Series

Axial Leaded Resistor

Case Material: Plastic Shell

Lead Material: 60Sn/40Pb Solder Plated



## HOW TO ORDER

**HR01**

AVX Style  
HR01

**104**

Resistance

First two digits are the significant figures of capacitance. Third digit indicates the additional number of zeros.

Example: 2R2 = 2.2Ω  
100 = 10Ω  
104 = 100,000Ω  
106 = 10,000,000Ω

**J**

Tolerance

J = ±5%  
K = ±10%

Dimensions: Millimeters (Inches)

		Tolerance
A	1.91 (0.075)	±.005
B	0.91 (0.036)	±.005
C	0.91 (0.036)	±.005
D	0.20 (0.008)	±.001

## MARKING (EXAMPLE)

47 x 100<sup>3</sup> = 47000Ω = 47kΩ

0 = 0Ω (Jumper)

100 = 10Ω

102 = 1kΩ

105 = 1MΩ

Three Digit Identification Code

Note: > 225 is K tolerance, ≤ 225 is J tolerance

## Temperature Coefficient of Resistance

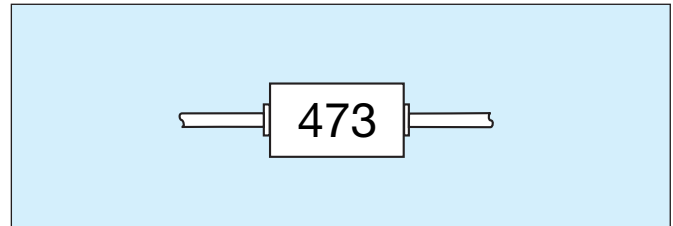
Tolerance	HR01				
	J (±5%)		K (±10%)		
Resistance Range	10Ω	1MΩ	2.2Ω	10Ω	1MΩ
	1MΩ	2.2MΩ	10Ω	1MΩ	10MΩ
TCR (ppm/°C)	±250	-500	-100	±250	-500
		+300	+600		+300

## Resistance Ranges

Tolerance	HR01	
	J (±5%)	K (±10%)
Value Range	10Ω to 2.2MΩ	2.2Ω to 10MΩ

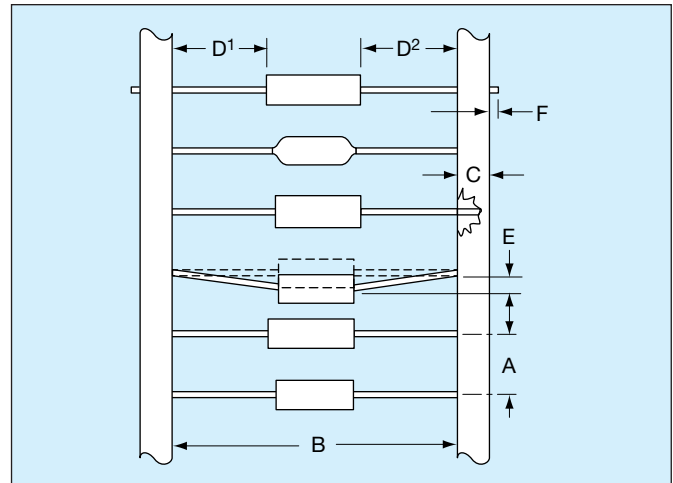
## Resistance Ratings for HR01

Power	0.063 (1/16) w
Voltage	50V max.
Working	-55°C to +70°C no derating +70°C to +125°C with derating



## TAPE AND REEL

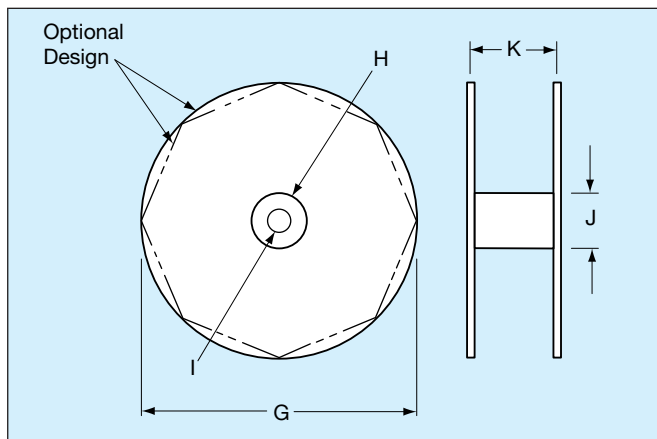
CLASS I / RS-296	
A.	5mm ± 0.5mm (.200" ± 0.020")
B*.	52.4mm ± 1.5mm (2.063" ± 0.059")
C.	6.35mm ± 0.4mm (0.250" ± 0.016")
D <sup>1</sup> -D <sup>2</sup> .	1.4mm (0.055" MAX.)
E.	1.2mm (0.047" MAX.)
F.	1.6mm (0.063" MAX.)
G.	356mm (14.00")
H.	76mm (3.000")
I.	25.4mm (1.000")
J.	84mm (3.300")
K.	70mm (2.750")



**Leader Tape:** 300mm min. (12")

**Splicing:** Tape Only

**Missing Parts:** 0.25% of component count max.-  
No consecutive missing parts



## REEL QUANTITIES (MAX.) ‡

SA05	7,500 pcs.	MA10	5,000 pcs.
SA10	7,500 pcs.	MA20	5,000 pcs.
SA11	5,000 pcs.	MA30	3,000 pcs.
SA20	5,000 pcs.	MA40	3,000 pcs.
SA30	5,000 pcs.	MA50	950 pcs.
SA40	5,000 pcs.	MA60	650 pcs.

‡ 1000 pc. reels available for distribution pack only in ±1% and ±2% tolerance.

\* Standard Tape Spacing Shown. Also available in 26.0mm + 1.5mm, - 0mm, (1.023 in. + .059 in. - 0 in.) for SpinGuards only. EIA Class I, II and III tape spacings are available for molded axials. Tape spacing for Class II is 63.5mm ± 1.5mm (2.50 in ± .059 in), and for Class III 73mm ± 1.5mm (2.87 in ± .059 in)

## ADDITIONAL PACKAGING AVAILABLE

### AMMO PACK

Tape Spacing	SA05, SA10 SA20	SA11 SA30	SA40	BOX SIZES (Nominal)		
				L	W	H
52.4mm ± 1.5mm (2.062" ± .059")	4,000 pcs.	2000	2,000 pcs.	255mm (10.039")	73mm (2.874")	93mm (3.661")
26.0mm + 1.5mm - 0mm (1.023" + .059" - 0")	4,000 pcs.*	2000	2,000 pcs.*	255mm (10.039")	48mm (1.889")	113mm (4.448")

\*SpinGuard only

## BULK PACK (MOLDED AXIALS ONLY)

MA10 MA20 MA30 MA40	100 pcs. (bag)
MA50 MA60	50 pcs. (bag)