

4

3

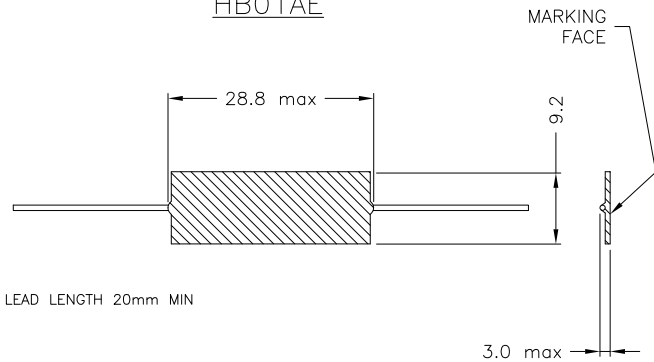
2

1

THIS DRAWING IS UNPUBLISHED. RELEASED FOR PUBLICATION
 © COPYRIGHT - By - ALL RIGHTS RESERVED.

LOC		DIST		REVISIONS			
P	LTR	DESCRIPTION		DATE	DWN	APVD	
B1		REVISED PER ECO-11-005150		21MAR11	RK	HMR	

HB01AE

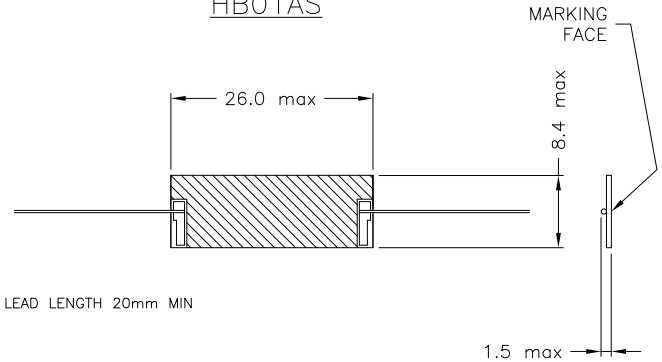


LEAD LENGTH 20mm MIN

DESCRIPTION: HIGH VOLTAGE THICK FILM RESISTOR.
 LEAD MATERIAL: TINNED COPPER WIRE
 LEAD CROSS-SECTION: 0.6 +/-0.5 DIA
 HYBRID PROTECTION: CONFORMAL EPOXY COATING
 MARKING: AS SHOWN BELOW ON MARKING FACE

HB01A
 VAL. TOL. TCR
 DATE CODE

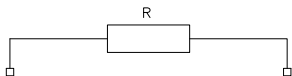
HB01AS



LEAD LENGTH 20mm MIN

DESCRIPTION: HIGH VOLTAGE THICK FILM RESISTOR.
 LEAD MATERIAL: TINNED COPPER WIRE
 LEAD CROSS-SECTION: 0.6 +/-0.5 DIA
 HYBRID PROTECTION: SCREEN PRINTED SILICONE COATING
 MARKING: AS SHOWN BELOW ON MARKING FACE

HB01A
 VAL. TOL. TCR
 DATE CODE



TYPICAL SCHEMATIC

FOR A SPECIFIC PN FOR A RESISTANCE VALUE
 AND TOLERANCE, PLEASE REFER TO DMF.

RoHS Compliant

THIS DRAWING IS A CONTROLLED DOCUMENT.		DWN 31OCT2005 DAVE KENNEDY		
DIMENSIONS:		CHK 01NOV05 J CATCHPOLE		
MM	TOLERANCES UNLESS OTHERWISE SPECIFIED:	APVD 01NOV05 J CATCHPOLE	NAME	HB01
0 PLC ± -	1 PLC ± -	PRODUCT SPEC		-
2 PLC ± -	3 PLC ± -	APPLICATION SPEC		-
4 PLC ± -	ANGLES ± -	WEIGHT	SIZE	CAGE CODE
MATERIAL	FINISH		A3	00779
			DRAWING NO	1625958
			CUSTOMER DRAWING	RESTRICTED TO
			SCALE	NTS
			SHEET	1 of 2
			REV	B1

4

3

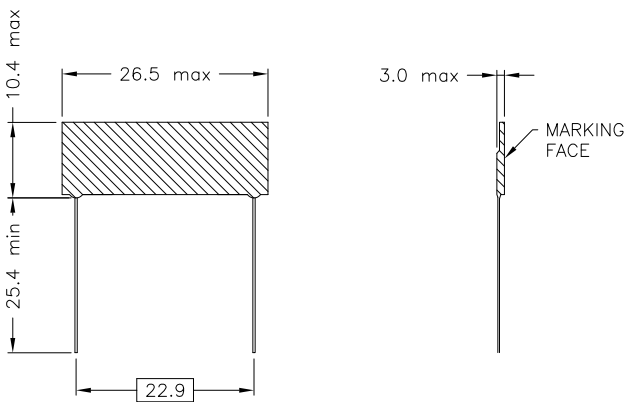
2

1

THIS DRAWING IS UNPUBLISHED. RELEASED FOR PUBLICATION
 © COPYRIGHT - By - ALL RIGHTS RESERVED.

LOC	DIST	REVISIONS			
P	LTR	DESCRIPTION	DATE	DWN	APVD
-	-	SEE SHEET 1	-	-	-

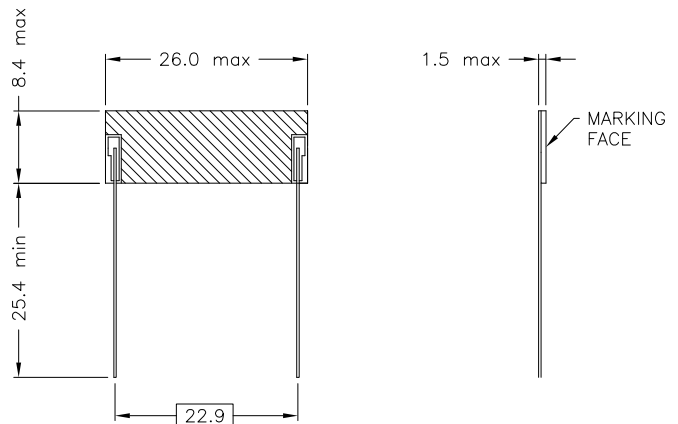
HB01RE



DESCRIPTION: HIGH VOLTAGE THICK FILM RESISTOR.
 LEAD MATERIAL: TINNED COPPER WIRE
 LEAD CROSS-SECTION: 0.6 +/-0.5 DIA
 HYBRID PROTECTION: CONFORMAL EPOXY COATING
 MARKING: AS SHOWN BELOW ON MARKING FACE

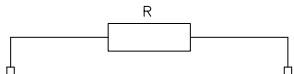
HB01R
 VAL. TOL. TCR
 DATE CODE

HB01RS



DESCRIPTION: HIGH VOLTAGE THICK FILM RESISTOR.
 LEAD MATERIAL: TINNED COPPER WIRE
 LEAD CROSS-SECTION: 0.6 +/-0.5 DIA
 HYBRID PROTECTION: SCREEN PRINTED SILICONE COATING
 MARKING: AS SHOWN BELOW ON MARKING FACE

HB01R
 VAL. TOL. TCR
 DATE CODE



TYPICAL SCHEMATIC

FOR A SPECIFIC PN FOR A RESISTANCE VALUE AND TOLERANCE, PLEASE REFER TO DMF.

RoHS Compliant

THIS DRAWING IS A CONTROLLED DOCUMENT.															
DIMENSIONS:	<table border="1"> <tr><th>MM</th><th>TOLERANCES UNLESS OTHERWISE SPECIFIED:</th></tr> <tr><td>0 PLC</td><td>± -</td></tr> <tr><td>1 PLC</td><td>± -</td></tr> <tr><td>2 PLC</td><td>± -</td></tr> <tr><td>3 PLC</td><td>± -</td></tr> <tr><td>4 PLC</td><td>± -</td></tr> <tr><td>ANGLES</td><td>± -</td></tr> </table>	MM	TOLERANCES UNLESS OTHERWISE SPECIFIED:	0 PLC	± -	1 PLC	± -	2 PLC	± -	3 PLC	± -	4 PLC	± -	ANGLES	± -
MM	TOLERANCES UNLESS OTHERWISE SPECIFIED:														
0 PLC	± -														
1 PLC	± -														
2 PLC	± -														
3 PLC	± -														
4 PLC	± -														
ANGLES	± -														
MATERIAL	FINISH														
-	-														

DWN	31OCT2005	TE TE Connectivity	NAME	HB01	RESTRICTED TO
CHK	DAVE KENNEDY			-	-
APVD	J CATCHPOLE	SIZE	CAGE CODE	DRAWING NO	
PRODUCT SPEC	J CATCHPOLE	A3	00779	1625958	
APPLICATION SPEC		WEIGHT			
		CUSTOMER DRAWING	SCALE	NTS	SHEET 2 of 2 REV B1