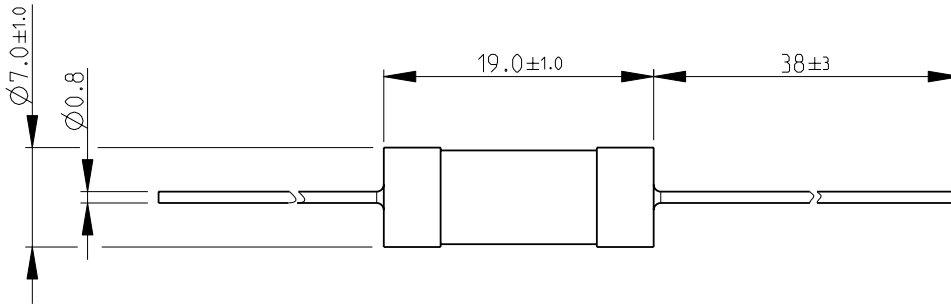
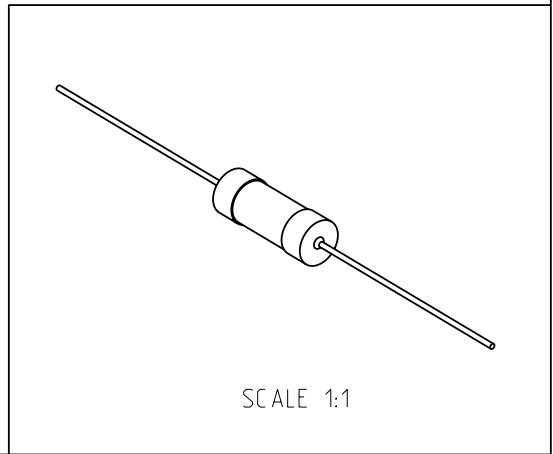


LOC	DIST	REVISIONS				
P	LTR	DESCRIPTION	DATE	DWN	APVD	
E	B	BA	NEW RELEASE	19-Sep-08	SM	St.P

FOR FURTHER INFORMATION SEE DATA SHEET FOR
CCR SERIES-CERAMIC COMPOSITION RESISTORS



RoHS Compliant



2008
 RELEASED FOR PUBLICATION
 THIS DRAWING IS UNPUBLISHED.
 © COPYRIGHT 2008 BY TYCO ELECTRONICS CORPORATION. ALL RIGHTS RESERVED.

DIMENSIONS: mm TOLERANCES UNLESS OTHERWISE SPECIFIED: 0 PLC ±0.2 1 PLC ±0.1 2 PLC ± 3 PLC ± 4 PLC ± ANGLES ±5°	DWN SUBHASH.M 19-Sep-08 CHK PRAKASH.S 19-Sep-08 APVD STEPHEN.P 19-Sep-08	MATERIAL - FINISH -
	PRODUCT SPEC - APPLICATION SPEC - WEIGHT -	Tyco Electronics Corporation Dorcan, Swindon, SN3 5HH
NAME CERAMIC COMPOSITION RESISTORS SERIES CCR2		SIZE A 4 CAGE CODE 00779 DRAWING NO ©=1623720 RESTRICTED TO -
CUSTOMER DRAWING		SCALE 2:1 SHEET 1 OF 1 REV BA