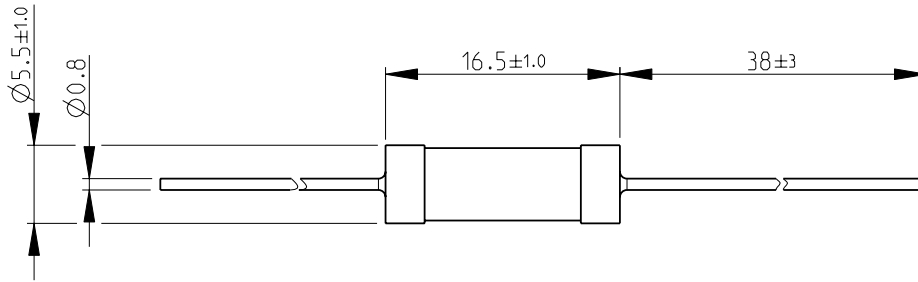
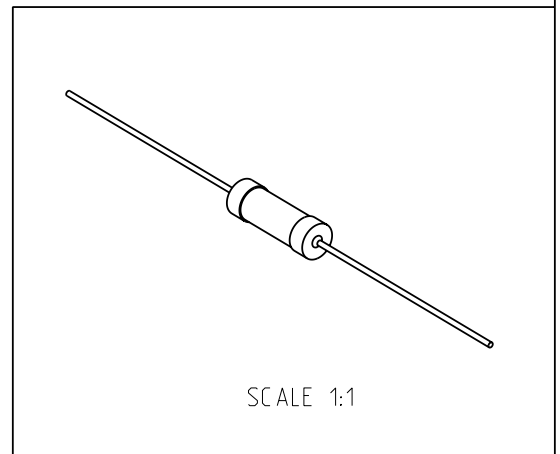


LOC	DIST	REVISIONS					
		P	LTR	DESCRIPTION	DATE	DWN	APVD
E	B		BA	NEW RELEASE	18-NOV-08	SM	St.P

FOR FURTHER INFORMATION SEE DATA SHEET FOR
CCR SERIES-CERAMIC COMPOSITION RESISTORS



RoHS Compliant



2008

RELEASED FOR PUBLICATION

THIS DRAWING IS UNPUBLISHED.

© COPYRIGHT 2008 BY TYCO ELECTRONICS CORPORATION. ALL RIGHTS RESERVED.

DIMENSIONS: mm	DWN	18-NOV-08	MATERIAL	-	FINISH	-
	CHK	18-NOV-08	Tyco Electronics Corporation Dorcan, Swindon, SN3 5HH			
TOLERANCES UNLESS OTHERWISE SPECIFIED:	APVD	18-NOV-08				
	0 PLC	± 0.2	NAME	CERAMIC COMPOSITION RESISTORS SERIES CCR1		
1 PLC	± 0.1	PRODUCT SPEC	SIZE	CAGE CODE	DRAWING NO	RESTRICTED TO
2 PLC	\pm	APPLICATION SPEC	A 4	00779	©=1623719	-
3 PLC	\pm	WEIGHT	CUSTOMER DRAWING			
4 PLC	\pm		SCALE	2:1	SHEET 1 OF 1	REV BA
ANGLES	$\pm 5^\circ$					