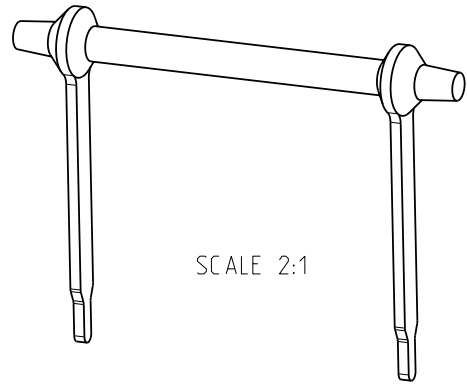
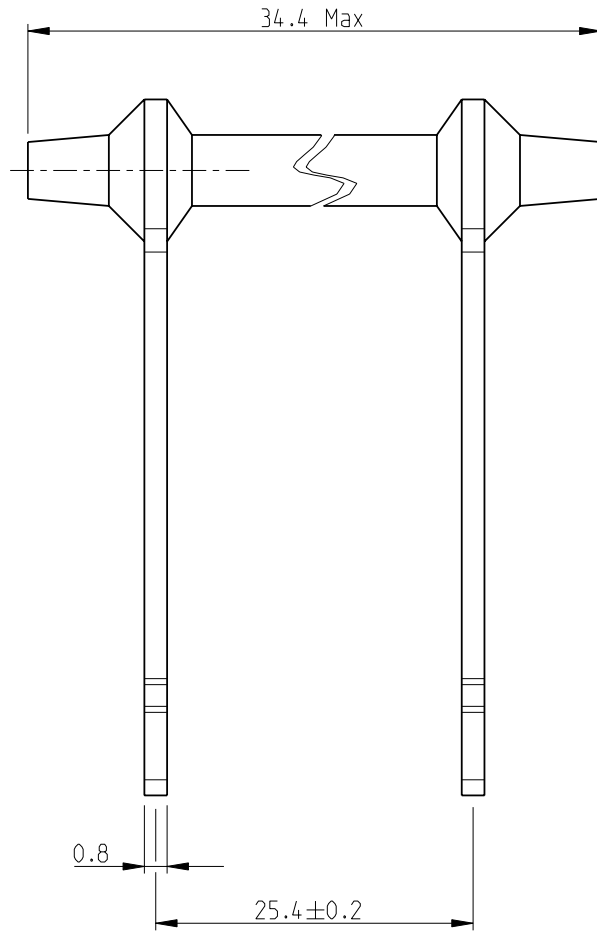
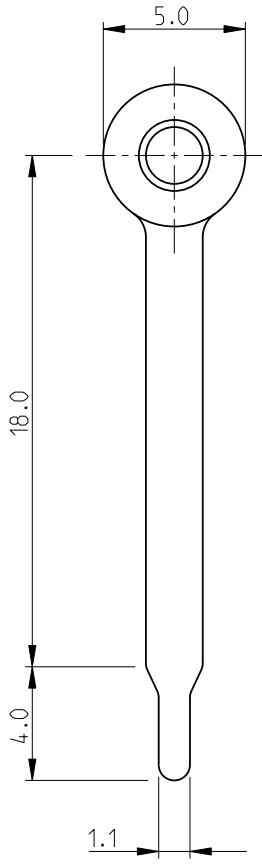


LOC	DIST	REVISIONS				
P	LTR	DESCRIPTION	DATE	DWN	APVD	
E	B	BA	NEW RELEASE	05-AUG-09	SM	St.P



SCALE 2:1

FOR FURTHER INFORMATION SEE DATA SHEET FOR  
SERIES FC- HIGH POWER RESISTORS

RoHS Compliant

2009  
 RELEASED FOR PUBLICATION  
 THIS DRAWING IS UNPUBLISHED.  
 © COPYRIGHT 2009 BY TYCO ELECTRONICS CORPORATION. ALL RIGHTS RESERVED.

DIMENSIONS: mm	DWN	SUBHASH.M	05-AUG-09	MATERIAL	-	FINISH	-
	CHK	ALLAN.P	05-AUG-09	Tyco Electronics Corporation Dorcan, Swindon, SN3 5HH			
TOLERANCES UNLESS OTHERWISE SPECIFIED:	APVD	STEPHEN.P	05-AUG-09				
0 PLC ±0.5	PRODUCT SPEC			NAME			
1 PLC ±0.2	-			HIGH POWER RESISTORS			
2 PLC ±0.1	APPLICATION SPEC			SERIES FCB6 (HIGH PROFILE STANDOFF)			
3 PLC ±	-			SIZE	CAGE CODE	DRAWING NO	RESTRICTED TO
4 PLC ±	WEIGHT			A 4	00779	©= 1623715	-
ANGLES ±5°	-			CUSTOMER DRAWING		SCALE	4:1
			SHEET		1	OF	1
			REV		BA		