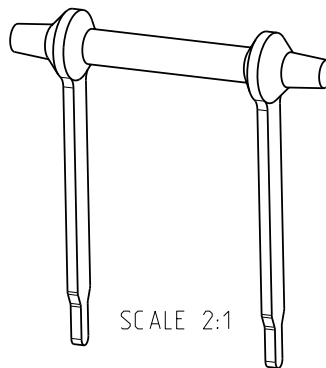
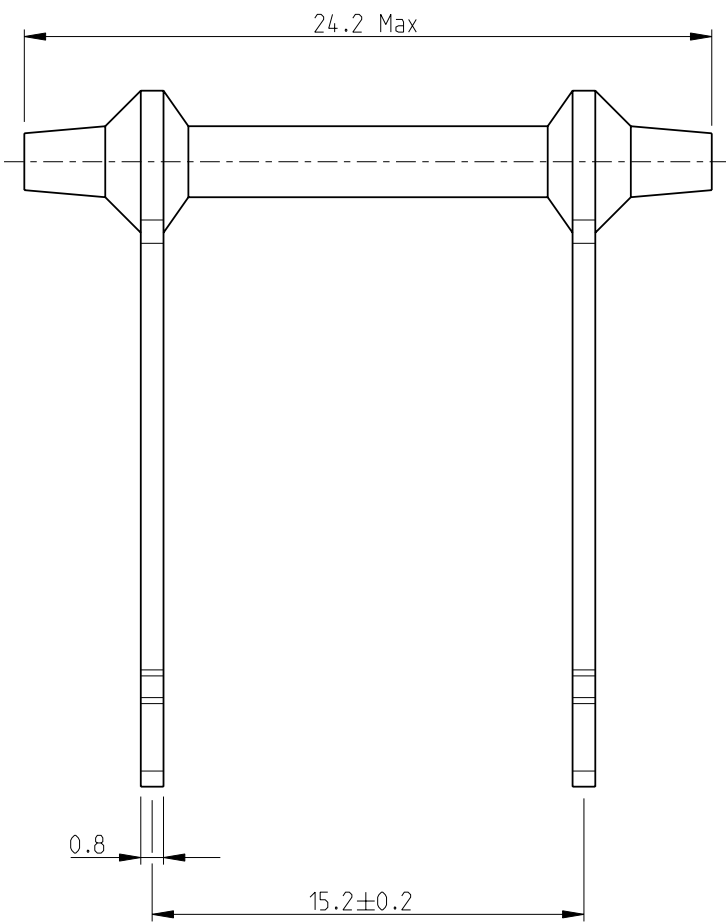
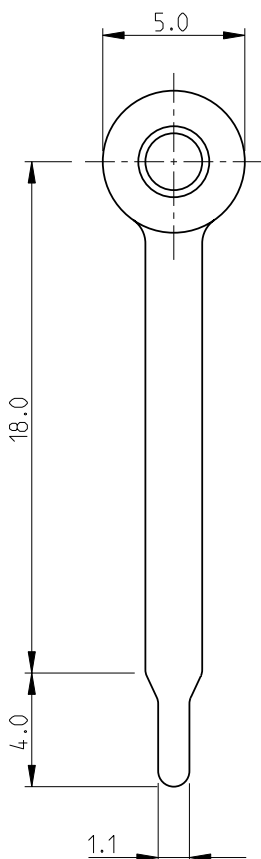


LOC	DIST	REVISIONS				
P	LTR	DESCRIPTION	DATE	DWN	APVD	
E	B	BA	NEW RELEASE	05-AUG-09	SM	St.P



FOR FURTHER INFORMATION SEE DATA SHEET FOR  
SERIES FC- HIGH POWER RESISTORS

RoHS Compliant

2009

RELEASED FOR PUBLICATION

THIS DRAWING IS UNPUBLISHED.

BY TYCO ELECTRONICS CORPORATION. ALL RIGHTS RESERVED.

© COPYRIGHT 2009

DIMENSIONS: mm	DWN	SUBHASH.M	05-AUG-09	MATERIAL	-	FINISH	-	
	CHK	ALLAN.P	05-AUG-09	Tyco Electronics Corporation Dorcan, Swindon, SN3 5HH				
TOLERANCES UNLESS OTHERWISE SPECIFIED:	APVD	STEPHEN.P	05-AUG-09					
0 PLC ±0.5	PRODUCT SPEC			NAME				
1 PLC ±0.2	-			HIGH POWER RESISTORS				
2 PLC ±0.1	APPLICATION SPEC			SERIES FCB4 (HIGH PROFILE STANDOFF)				
3 PLC ±	-			SIZE	CAGE CODE	DRAWING NO	RESTRICTED TO	
4 PLC ±	WEIGHT			A 4	00779	©= 1623714	-	
ANGLES ±5°	-			CUSTOMER DRAWING		SCALE	4:1	
	-			SCALE		4:1	SHEET 1 OF 1	
							REV	BA