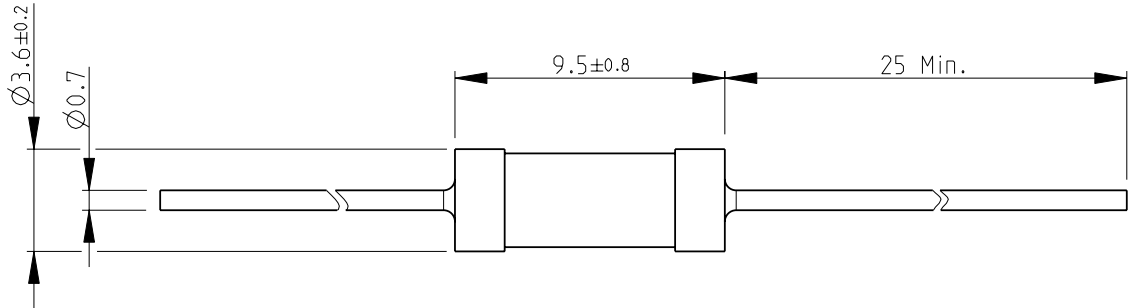
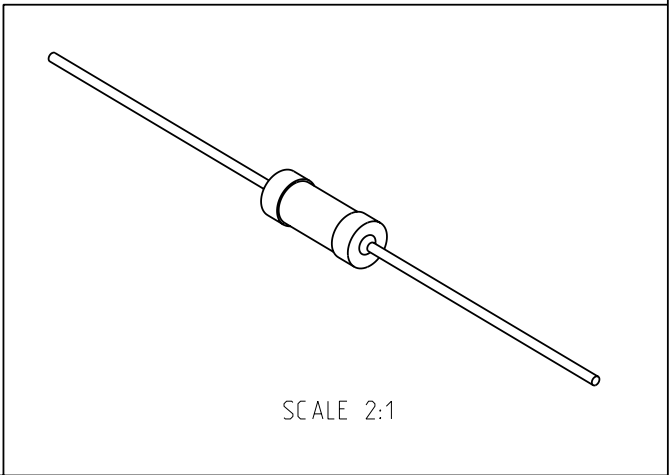


LOC	DIST	REVISIONS					
E	B	P	LTR	DESCRIPTION	DATE	DWN	APVD
			A	NEW RELEASE			18-Sep-08

FOR FURTHER INFORMATION SEE DATA SHEET FOR
CBT SERIES-CARBON COMPOSITION RESISTORS



RoHS Compliant



2008
 RELEASED FOR PUBLICATION
 THIS DRAWING IS UNPUBLISHED.
 COPYRIGHT 2008 BY TYCO ELECTRONICS CORPORATION. ALL RIGHTS RESERVED.

DIMENSIONS: mm TOLERANCES UNLESS OTHERWISE SPECIFIED: 0 PLC ± 0.2 1 PLC ± 0.1 2 PLC \pm 3 PLC \pm 4 PLC \pm ANGLES $\pm 5^\circ$	DWN SUBHASH.M 18-Sep-08	MATERIAL -	FINISH -
	CHK PRAKASH.S 18-Sep-08	Tyco Electronics Corporation Dorcan, Swindon, SN3 5HH	
	APVD STEPHEN.P 18-Sep-08	NAME CARBON COMPOSITION RESISTORS SERIES CBT50	
	PRODUCT SPEC -	SIZE A 4	RESTRICTED TO -
	APPLICATION SPEC -	CAGE CODE 00779	DRAWING NO C=1625876
	WEIGHT -	SCALE 4:1 SHEET 1 OF 1 REV A	
CUSTOMER DRAWING			