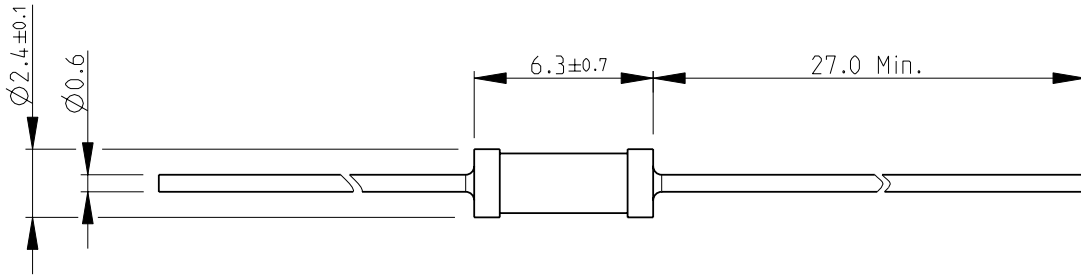
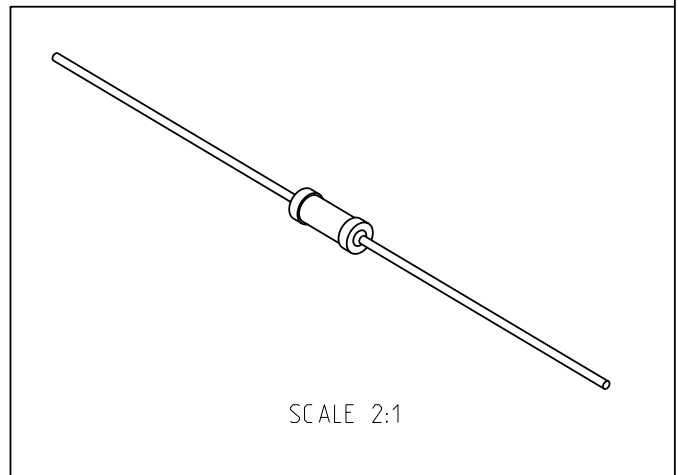


LOC	DIST	REVISIONS				
P	LTR	DESCRIPTION	DATE	DWN	APVD	
E	B	A	NEW RELEASE	16-Sep-08	SM	St.P

FOR FURTHER INFORMATION SEE DATA SHEET FOR
CBT SERIES-CARBON COMPOSITION RESISTORS



RoHS Compliant



2008

RELEASED FOR PUBLICATION

THIS DRAWING IS UNPUBLISHED.

© COPYRIGHT 2008 BY TYCO ELECTRONICS CORPORATION. ALL RIGHTS RESERVED.

DIMENSIONS: mm	DWN	SUBHASH.M	16-Sep-08	MATERIAL	-	FINISH	-
	CHK	PRAKASH.S	16-Sep-08	Tyco Electronics Corporation Dorcan, Swindon, SN3 5HH			
TOLERANCES UNLESS OTHERWISE SPECIFIED:	APVD	STEPHEN.P	16-Sep-08				
0 PLC ±0.2	PRODUCT SPEC	-	NAME				
1 PLC ±0.1	APPLICATION SPEC	-	CARBON COMPOSITION RESISTORS SERIES CBT25				
2 PLC ±-	WEIGHT	-	SIZE	CAGE CODE	DRAWING NO	RESTRICTED TO	
3 PLC ±-			A 4	00779	©=1625875	-	
4 PLC ±-			CUSTOMER DRAWING		SCALE	SHEET	REV
ANGLES ±5°					4:1	1 OF 1	A