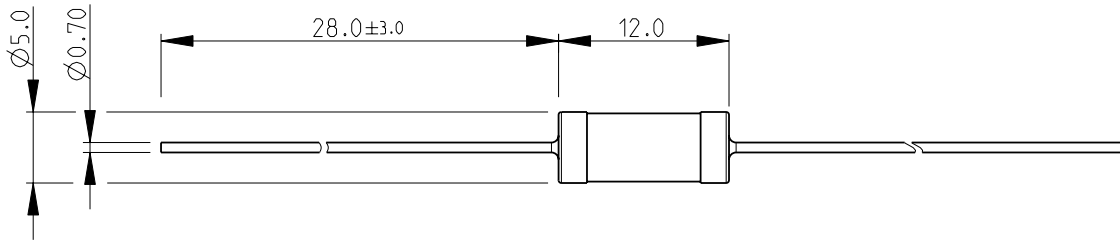
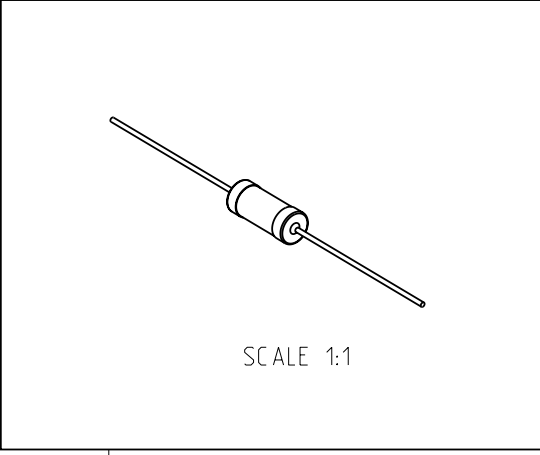


LOC	DIST	REVISIONS				
P	LTR	DESCRIPTION	DATE	DWN	APVD	
E	B	BA	NEW RELEASE	19-Sep-08	SM	St.P

FOR FURTHER INFORMATION SEE DATA SHEET FOR
CFR SERIES-CARBON FILM FIXED RESISTORS



RoHS Compliant



2008
 RELEASED FOR PUBLICATION
 THIS DRAWING IS UNPUBLISHED.
 © COPYRIGHT 2008 BY TYCO ELECTRONICS CORPORATION. ALL RIGHTS RESERVED.

DIMENSIONS: mm TOLERANCES UNLESS OTHERWISE SPECIFIED: 0 PLC ± 0.2 1 PLC ± 0.1 2 PLC $\pm -$ 3 PLC $\pm -$ 4 PLC $\pm -$ ANGLES $\pm 5^\circ$	DWN SUBHASH.M 19-Sep-08	MATERIAL	FINISH
	CHK PRAKASH.S 19-Sep-08	Tyco Electronics Corporation Dorcan, Swindon, SN3 5HH	
	APVD STEPHEN.P 19-Sep-08	NAME CARBON FILM FIXED RESISTORS SERIES CFR100	
	PRODUCT SPEC - APPLICATION SPEC - WEIGHT -	SIZE A 4	CAGE CODE 00779
CUSTOMER DRAWING		RESTRICTED TO -	SCALE 2:1 SHEET 1 OF 1 REV BA