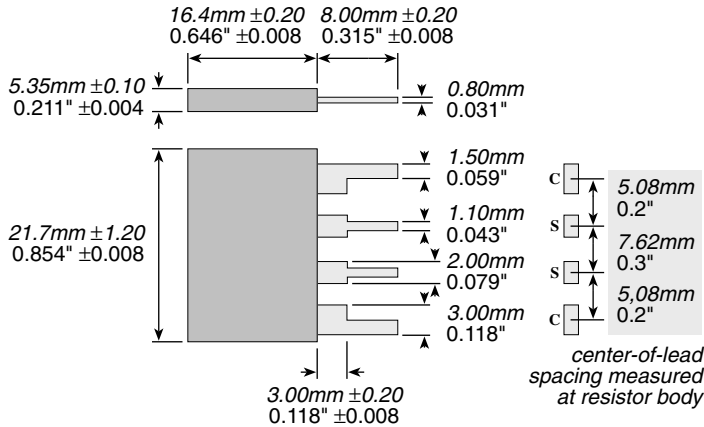


CS3 Series

Wire Element Four Terminal Precision Current Sense



The CS3 Series utilizes state of the art technology to achieve highly reliable non-inductive performance. The CS3 is ideal for current monitoring and control applications.

SPECIFICATIONS

Material

Terminal Material: Kelvin Terminals; 97% Sn / 3% Ag solder over copper

Encapsulation: Polyester over resistance element

FEATURES

- Values beginning at 1 milliohm
- Non Inductive Design
- Four terminal Kelvin connection

Electrical

Standard Resistance Values: 1 mΩ - 50 mΩ

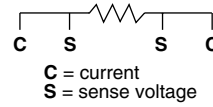
Resistance Tolerances: 1%, 2%, 5%

Temperature Coefficient: TC referenced to 25°C, ΔR taken at -15°C and +105°C, 60ppm/°C

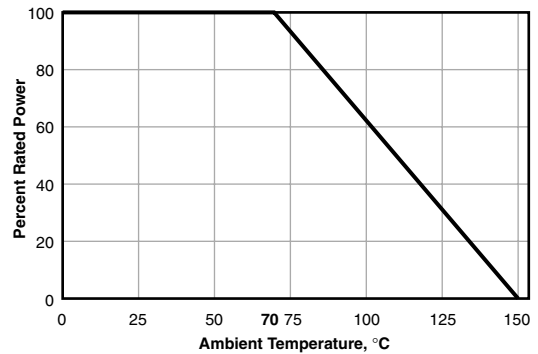
Power Rating: 3W at 70°C max. 40Amp permanent

Operating Temp.: -55°C to 150°C
Storage Temp.: -40°C to 85°C

INTERNAL CIRCUIT



DERATING



TEST DATA

Load Life	(1,000 hours at rated power at 70°C)	ΔR 0.2% max.
Moisture Resistance	(Mil-Std-202, Method 106, Cond. A)	ΔR 0.2% max.
Thermal Shock	(Mil-Std-202, Method 107)	ΔR 0.2% max.

STANDARD PART NUMBERS FOR CS3 SERIES

Series Tolerance	CS3F 1%	Series Tolerance	CS3F 1%
Ohms		Ohms	
0.001	CS3FR001E	0.015	CS3FR015E
0.002	CS3FR002E	0.02	CS3FR020E
0.003	CS3FR003E	0.025	CS3FR025E
0.005	CS3FR005E	0.03	CS3FR030E
0.01	CS3FR010E	0.036	CS3FR036E
		0.05	CS3FR050E

Check product availability at www.ohmite.com

ORDERING INFORMATION

CS3JR050E			
Style	Tolerance	Ohms	RoHS Compliant
	F = 1%	R = Decimal	Non-compliant
	G = 2%	Example:	version not
	J = 5%	R010 = 0.010	recommended for
		R005 = 0.005	new designs

Subscribe to our
New Product Bulletin at
ohmite.com