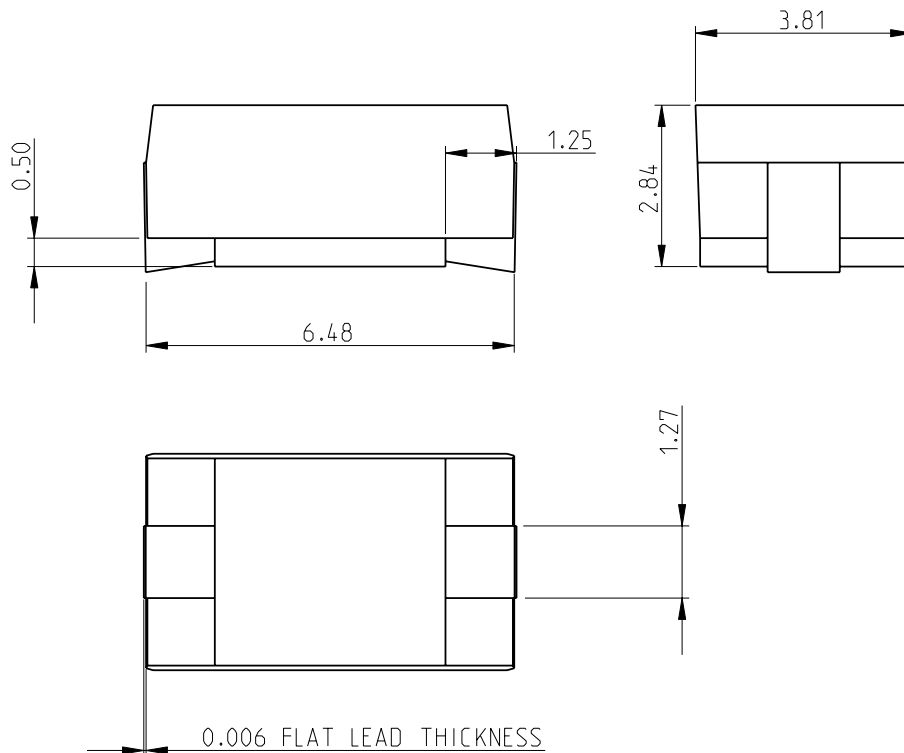
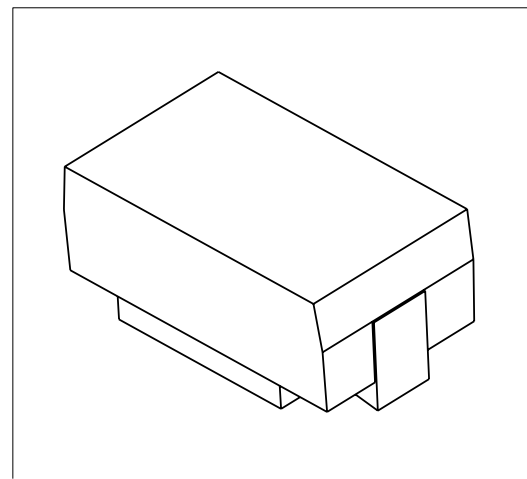
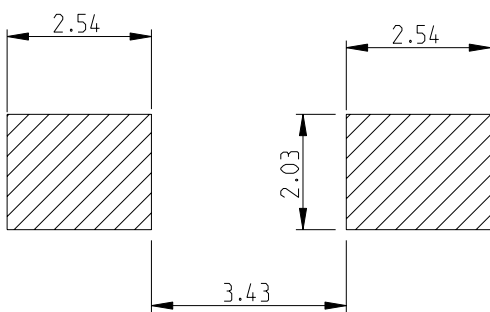


LOC	DIST	REVISIONS				
P	LTR	DESCRIPTION	DATE	DWN	APVD	
E	B	BA	NEW RELEASE	10 JULY 2010	PT	ST.P

FOR FURTHER INFORMATION SEE DATA SHEET FOR  
SERIES S - SMD MOULDED POWER RESISTOR



RECOMMENDED LAND PATTERN



2008

RELEASED FOR PUBLICATION

THIS DRAWING IS UNPUBLISHED.

© COPYRIGHT 2008 BY TYCO ELECTRONICS CORPORATION. ALL RIGHTS RESERVED.

DIMENSIONS: mm	DWN	DWN	MATERIAL	FINISH		
	PARUSURAM.T	10 JULY 2010	-	-		
TOLERANCES UNLESS OTHERWISE SPECIFIED:	CHK	CHK	Tyco Electronics Corporation Dorcan, Swindon, SN3 5HH			
	ALLAN.P	10 JULY 2010				
0 PLC ±0.2	APVD	APVD	NAME SMD MOULDED POWER RESISTOR SERIES SP1			
1 PLC ±0.1	STEPHEN.P	10 JULY 2010				
2 PLC ±	PRODUCT SPEC	-	SIZE	CAGE CODE	DRAWING NO	RESTRICTED TO
3 PLC ±	APPLICATION SPEC	-	A 4	00779	©=1624289	-
4 PLC ±	WEIGHT	-	CUSTOMER DRAWING			
ANGLES ±5°			SCALE	SHEET	OF	REV
			10:1	1	1	BA