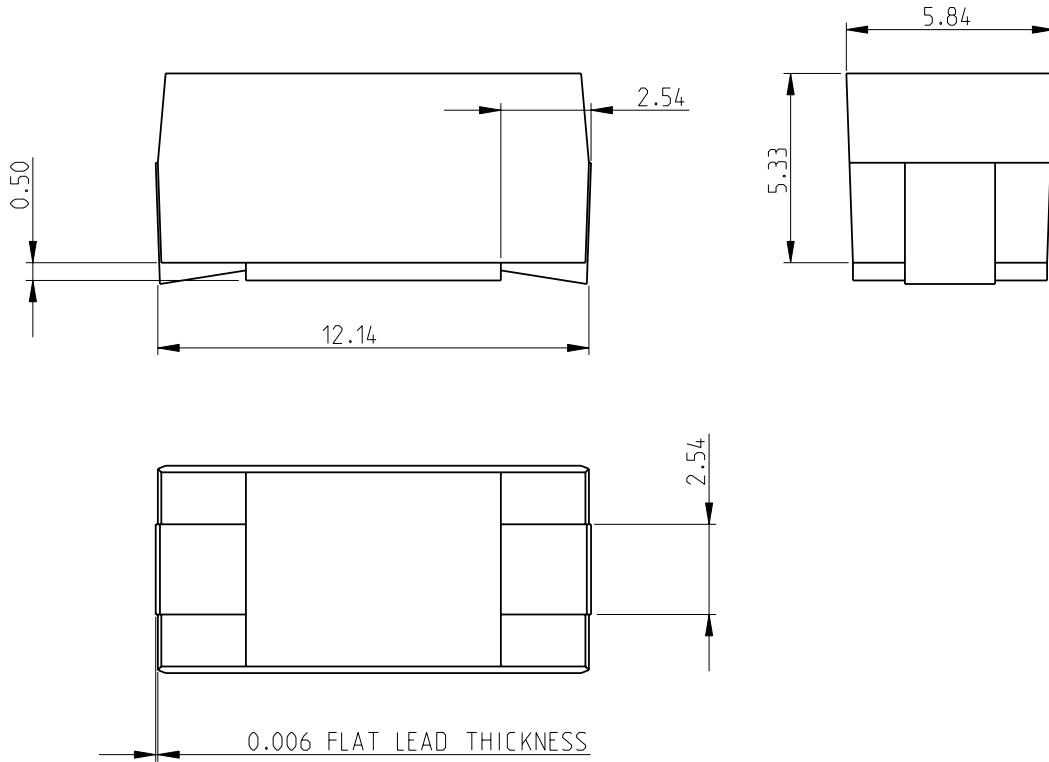
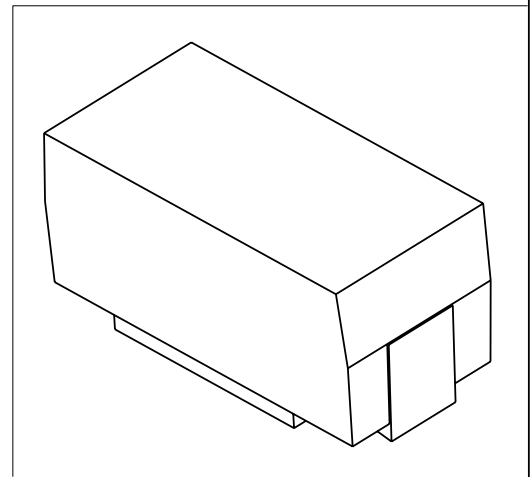
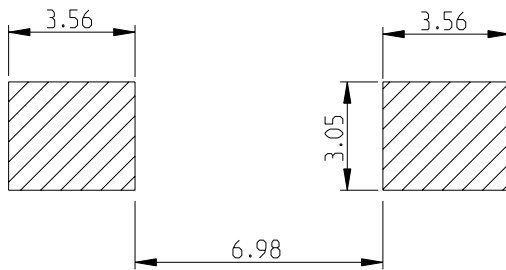


| LOC | DIST | REVISIONS | | | | |
|-----|------|-------------|-------------|--------------|------|------|
| P | LTR | DESCRIPTION | DATE | DWN | APVD | |
| E | B | BA | NEW RELEASE | 10 JULY 2010 | PT | ST.P |

FOR FURTHER INFORMATION SEE DATA SHEET FOR
 SERIES S - SMD MOULDED POWER RESISTOR



RECOMMENDED LAND PATTERN



2008

RELEASED FOR PUBLICATION

THIS DRAWING IS UNPUBLISHED.
 BY TYCO ELECTRONICS CORPORATION. ALL RIGHTS RESERVED.
 COPYRIGHT 2008

| | | | | | | | |
|--|------------------|-------------|--------------|--|-----------|------------|---------------|
| DIMENSIONS: mm | DWN | PARUSURAM.T | 10 JULY 2010 | MATERIAL | - | FINISH | - |
| | CHK | ALLAN.P | 10 JULY 2010 | Tyco Electronics Corporation Dorcan, Swindon, SN3 5HH | | | |
| TOLERANCES UNLESS OTHERWISE SPECIFIED: | APVD | STEPHEN.P | 10 JULY 2010 | | | | |
| 0 PLC ±0.2 | PRODUCT SPEC | - | - | NAME SMD MOULDED POWER RESISTOR SERIES SP2 | | | |
| 1 PLC ±0.1 | APPLICATION SPEC | - | - | SIZE | CAGE CODE | DRAWING NO | RESTRICTED TO |
| 2 PLC ± | WEIGHT | - | - | A 4 | 00779 | ©=1624302 | - |
| 3 PLC ± | CUSTOMER DRAWING | | | | | | |
| 4 PLC ± | | | | | | | |
| ANGLES ±5° | SCALE | | 5:1 | SHEET | | 1 OF 1 | REV |
| | | | | | | | BA |