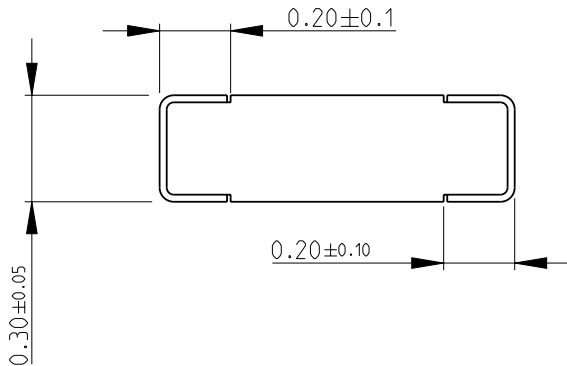
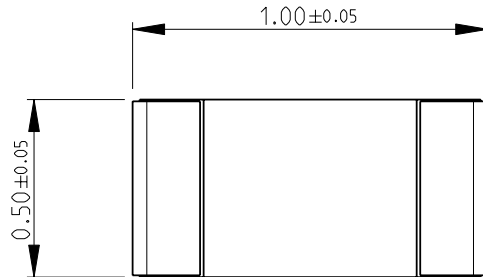
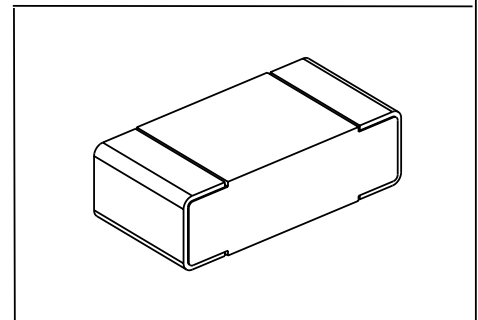
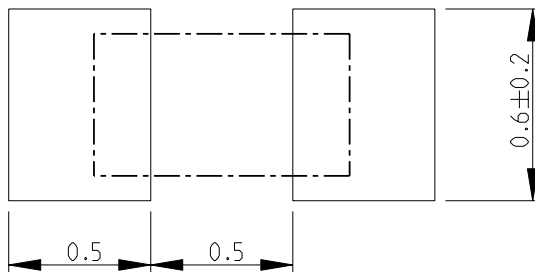


| LOC | DIST | REVISIONS | | | | |
|-----|------|-------------|-------------|-----------|------|------|
| P | LTR | DESCRIPTION | DATE | DWN | APVD | |
| E | B | BA | NEW RELEASE | 01SEP2010 | PT | St.P |

FOR FURTHER INFORMATION SEE DATA SHEET FOR
RN73 SERIES-HIGH PRECISION RESISTORS (SMD)



RECOMMENDED LAND PATTERN



2010

RELEASED FOR PUBLICATION

BY TYCO ELECTRONICS CORPORATION. ALL RIGHTS RESERVED.

© COPYRIGHT 2010

THIS DRAWING IS UNPUBLISHED.

| | | | | | | | |
|--|------------------|-------------|-----------|--|------------|-----------|---------------|
| DIMENSIONS: mm | DWN | PARUSURAM.T | 01SEP2010 | MATERIAL | - | FINISH | - |
| | CHK | ALLAN.P | 01SEP2010 | Tyco Electronics Corporation Dorcan, Swindon, SN3 5HH | | | |
| TOLERANCES UNLESS OTHERWISE SPECIFIED: | APVD | STEPHEN.P | 01SEP2010 | | | | |
| 0 PLC ±0.2 | PRODUCT SPEC | - | - | NAME HIGH PRECISION RESISTORS (SMD) SERIES RN73 1E | | | |
| 1 PLC ±0.1 | APPLICATION SPEC | - | - | SIZE | A 4 | CAGE CODE | 00779 |
| 2 PLC ± | WEIGHT | - | - | DRAWING NO | C= 1879125 | | RESTRICTED TO |
| 3 PLC ± | | | | SCALE 20:1 SHEET 1 OF 1 REV BA | | | |
| 4 PLC ± | | | | CUSTOMER DRAWING | | | |
| ANGLES ±5° | | | | | | | |