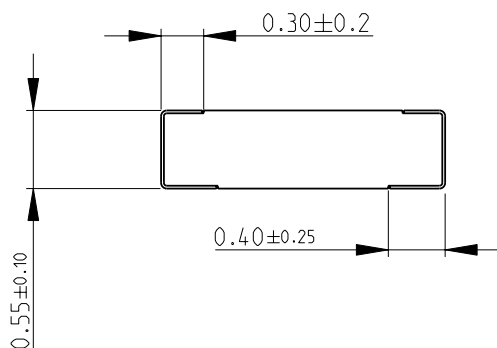
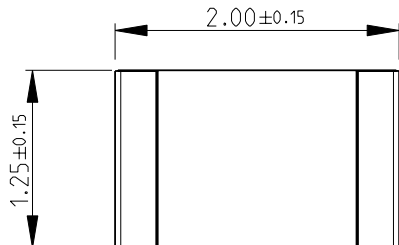
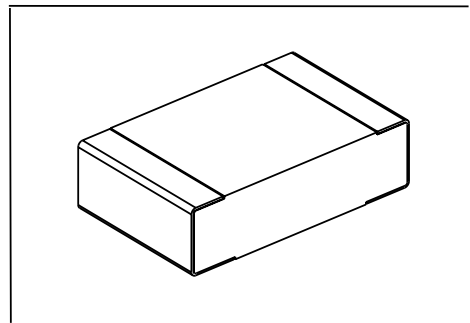
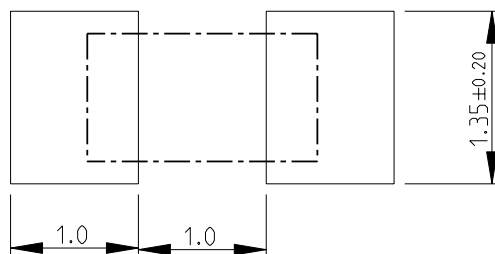


LOC	DIST	REVISIONS				
P	LTR	DESCRIPTION	DATE	DWN	APVD	
E	B	BA	NEW RELEASE	13SEP2010	PT	St.P

FOR FURTHER INFORMATION SEE DATA SHEET FOR
RN73 SERIES-HIGH PRECISION RESISTORS (SMD)



RECOMMENDED LAND PATTERN



2010

RELEASED FOR PUBLICATION

THIS DRAWING IS UNPUBLISHED.

BY TYCO ELECTRONICS CORPORATION. ALL RIGHTS RESERVED.
COPYRIGHT 2010

DIMENSIONS: mm TOLERANCES UNLESS OTHERWISE SPECIFIED: 0 PLC ±0.2 1 PLC ±0.1 2 PLC ± 3 PLC ± 4 PLC ± ANGLES ±5°	DWN PARUSURAM.T	13SEP2010	MATERIAL -	FINISH -	
	CHK ALLAN.P	13SEP2010	Tyco Electronics Corporation Dorcan, Swindon, SN3 5HH		
APVD STEPHEN.P	13SEP2010	NAME HIGH PRECISION RESISTORS (SMD) SERIES RN73 2A			
PRODUCT SPEC -	APPLICATION SPEC -	SIZE A 4	CAGE CODE 00779	DRAWING NO C= 1879160	RESTRICTED TO -
WEIGHT -	CUSTOMER DRAWING		SCALE 20:1	SHEET 1 OF 1	REV BA