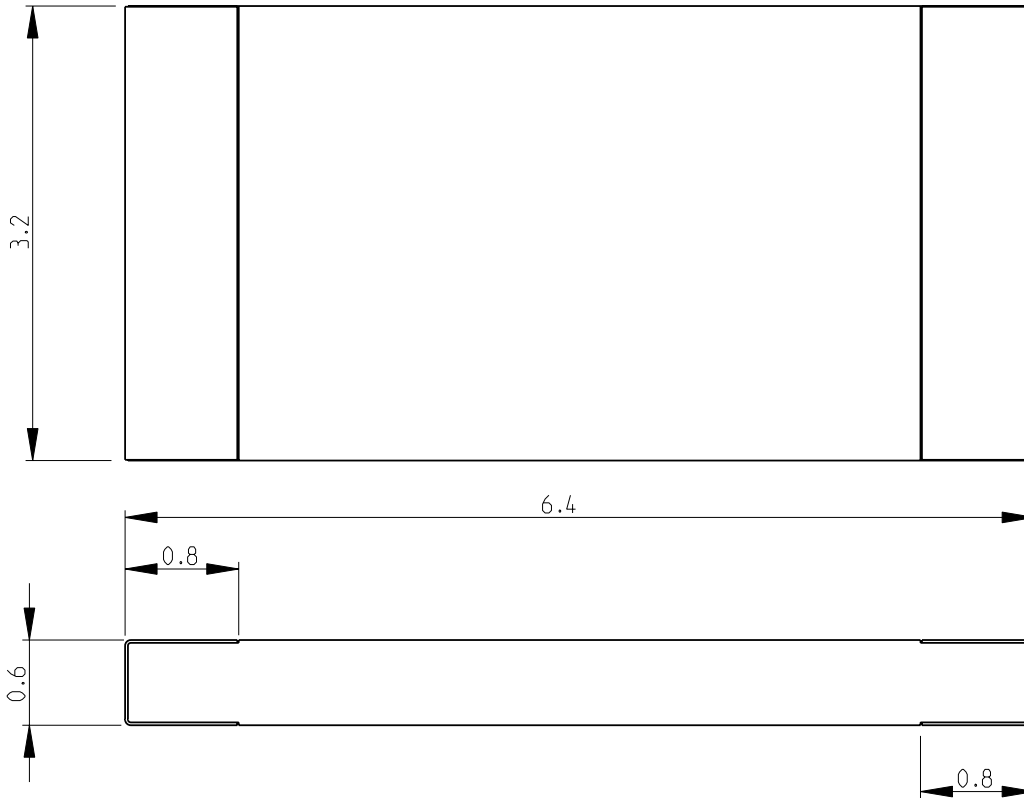
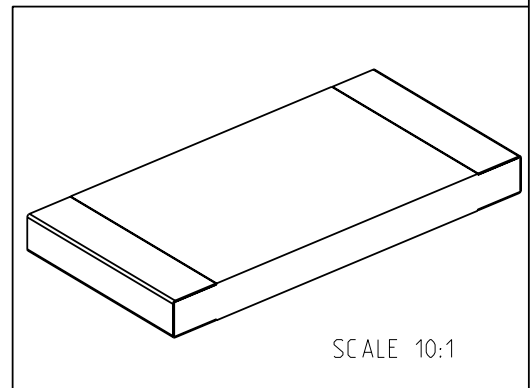


LOC	DIST	REVISIONS				
P	LTR	DESCRIPTION	DATE	DWN	APVD	
E	B	BA	NEW RELEASE	07-JAN-09	SM	St.P

FOR FURTHER INFORMATION SEE DATA SHEET FOR
SERIES TL3A - SMD LOW-OHMIC CURRENT SENSE RESISTORS



RoHS Compliant



2009

RELEASED FOR PUBLICATION

THIS DRAWING IS UNPUBLISHED.

© COPYRIGHT 2009 BY TYCO ELECTRONICS CORPORATION. ALL RIGHTS RESERVED.

DIMENSIONS: mm	DWN	SUBHASH.M	07-JAN-09	MATERIAL	-	FINISH	-
	CHK	PRAKASH.S	07-JAN-09	Tyco Electronics Corporation Dorcan, Swindon, SN3 5HH			
TOLERANCES UNLESS OTHERWISE SPECIFIED:	APVD	STEPHEN.P	07-JAN-09				
0 PLC ±0.2	PRODUCT SPEC	-	NAME	SMD LOW-OHMIC CURRENT SENSE RESISTORS SERIES TL3A			
1 PLC ±0.1	APPLICATION SPEC	-	SIZE	CAGE CODE	DRAWING NO	RESTRICTED TO	
2 PLC ±-	WEIGHT	-	A 4	00779	©= 1625827	-	
3 PLC ±-	CUSTOMER DRAWING			SCALE	20:1	SHEET	1 OF 1
4 PLC ±-						REV	BA
ANGLES ±5°							