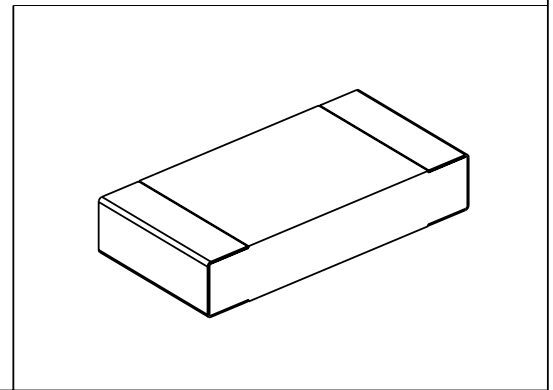
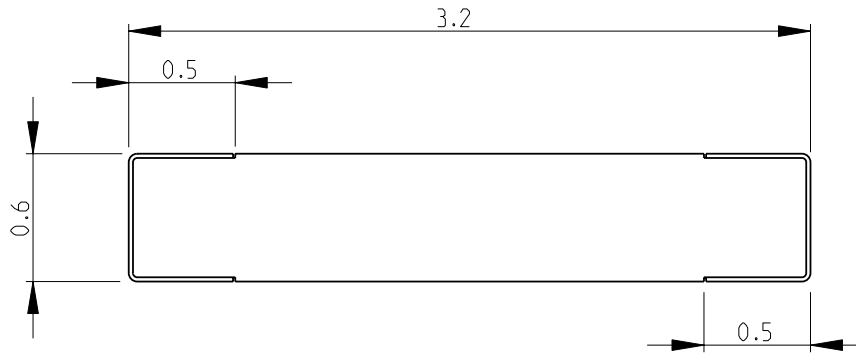
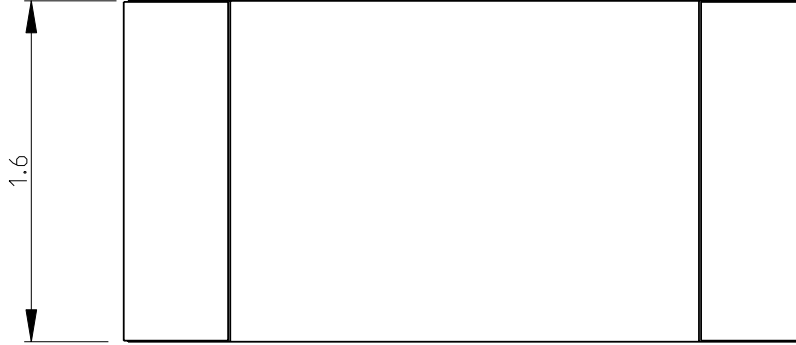


LOC	DIST	REVISIONS				
P	LTR	DESCRIPTION	DATE	DWN	APVD	
E	B	BA	NEW RELEASE	30NOV2009	MRS	St.P

FOR FURTHER INFORMATION SEE DATA SHEET FOR  
SERIES TL2B - SMD LOW-OHMIC CURRENT SENSE RESISTORS



RoHS Compliant

2009

RELEASED FOR PUBLICATION

THIS DRAWING IS UNPUBLISHED.

© COPYRIGHT 2009 BY TYCO ELECTRONICS CORPORATION. ALL RIGHTS RESERVED.

DIMENSIONS: mm	DWN MAHARUDRA	30NOV2009	MATERIAL	-	FINISH	-
	CHK ALLAN.P	30NOV2009	Tyco Electronics Corporation Dorcan, Swindon, SN3 5HH			
TOLERANCES UNLESS OTHERWISE SPECIFIED:	APVD STEPHEN.P	30NOV2009				
0 PLC ±0.2	PRODUCT SPEC	-	NAME SMD LOW-OHMIC CURRENT SENSE RESISTORS SERIES TL2B			
1 PLC ±0.1	APPLICATION SPEC	-	SIZE	CAGE CODE	DRAWING NO	RESTRICTED TO
2 PLC ±-			A 4	00779	©= 1625826	-
3 PLC ±-	WEIGHT	-	CUSTOMER DRAWING			
4 PLC ±-			SCALE	30:1	SHEET	1 OF 1
ANGLES ±5°			REV BA			