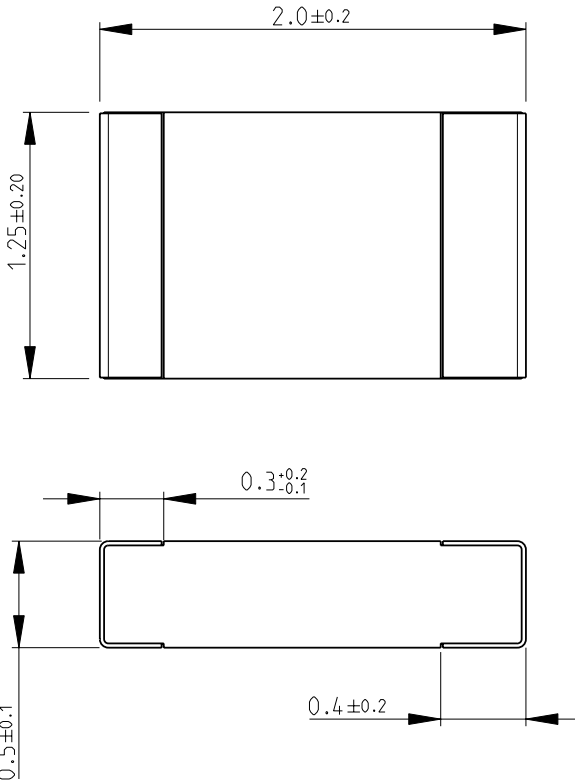
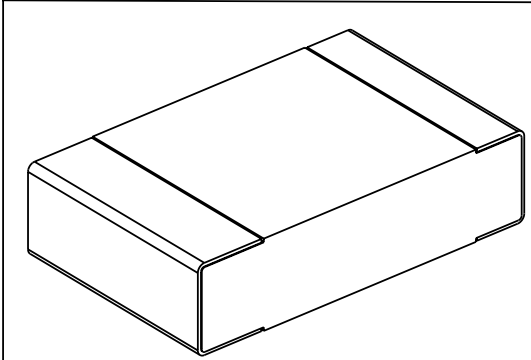


LOC	DIST	REVISIONS				
P	LTR	DESCRIPTION	DATE	DWN	APVD	
E	B	BA	NEW RELEASE	11MAY2010	PT	St.P

FOR FURTHER INFORMATION SEE DATA SHEET FOR
RP73 SERIES-SMD HIGH POWER PRECISION RESISTORS



RoHS Compliant



2008

RELEASED FOR PUBLICATION

THIS DRAWING IS UNPUBLISHED.

© COPYRIGHT 2008 BY TYCO ELECTRONICS CORPORATION. ALL RIGHTS RESERVED.

DIMENSIONS: mm	DWN	PARUSURAM.T	11MAY2010	MATERIAL	-	FINISH	-
	CHK	SUBHASH.M	11MAY2010	Tyco Electronics Corporation Dorcan, Swindon, SN3 5HH			
TOLERANCES UNLESS OTHERWISE SPECIFIED:	APVD	STEPHEN.P	11MAY2010				
0 PLC ± 0.2	PRODUCT SPEC	-	NAME	SMD HIGH POWER PRECISION RESISTORS SERIES RP73 - 2A			
1 PLC ± 0.1	APPLICATION SPEC	-	SIZE	CAGE CODE	DRAWING NO	RESTRICTED TO	
2 PLC \pm			A 4	00779	© = 1879268	-	
3 PLC \pm			CUSTOMER DRAWING				
4 PLC \pm	WEIGHT	-	SCALE	20:1	SHEET	1 OF 1	REV BA
ANGLES $\pm 5^\circ$							