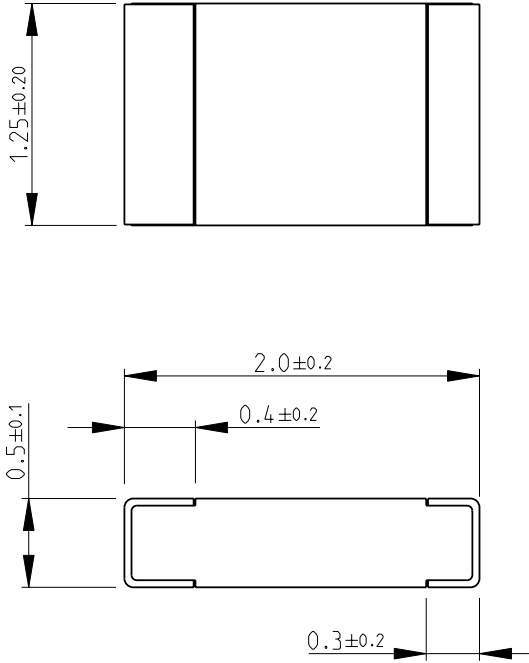
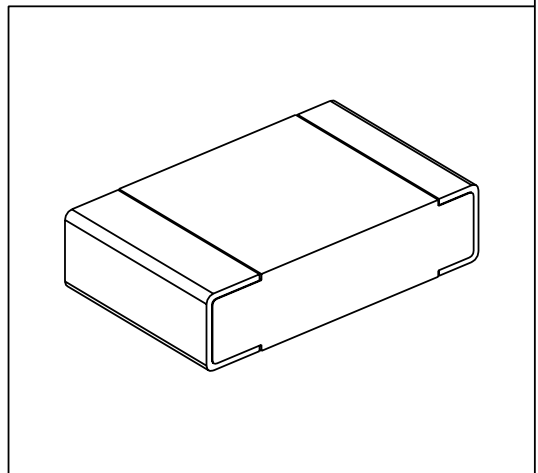


LOC	DIST	REVISIONS					
E	B	P	LTR	DESCRIPTION	DATE	DWN	APVD
			BA1	AS PER ECR-09-006166	17-MAR-09	SM	JC

FOR FURTHER INFORMATION SEE DATA SHEET FOR
CPF SERIES-THIN FILM PRECISION CHIP RESISTORS



RoHS Compliant



2008

RELEASED FOR PUBLICATION

THIS DRAWING IS UNPUBLISHED.

© COPYRIGHT 2008 BY TYCO ELECTRONICS CORPORATION. ALL RIGHTS RESERVED.

DIMENSIONS: mm	DWN	SUBHASH.M	22-Sep-08	MATERIAL	-	FINISH	-					
	CHK	PRAKASH.S	22-Sep-08	Tyco Electronics Corporation Dorcan, Swindon, SN3 5HH								
TOLERANCES UNLESS OTHERWISE SPECIFIED: 0 PLC ± 0.2 1 PLC ± 0.1 2 PLC \pm 3 PLC \pm 4 PLC \pm ANGLES $\pm 5^\circ$	APVD	STEPHEN.P	22-Sep-08					NAME THIN FILM PRECISION CHIP RESISTORS SERIES CPF 0805				
	PRODUCT SPEC	-	APPLICATION SPEC	-	SIZE	A 4	CAGE CODE	00779	DRAWING NO	©= 1614885	RESTRICTED TO	-
	WEIGHT	-	CUSTOMER DRAWING		SCALE	25:1	SHEET	1	OF	1	REV	BA1