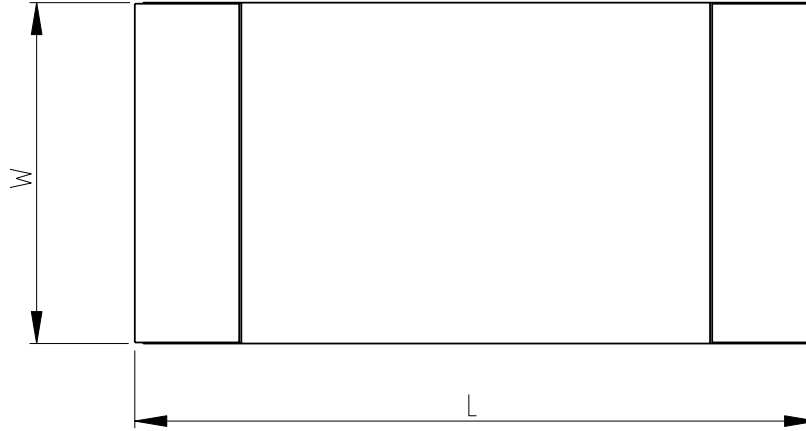
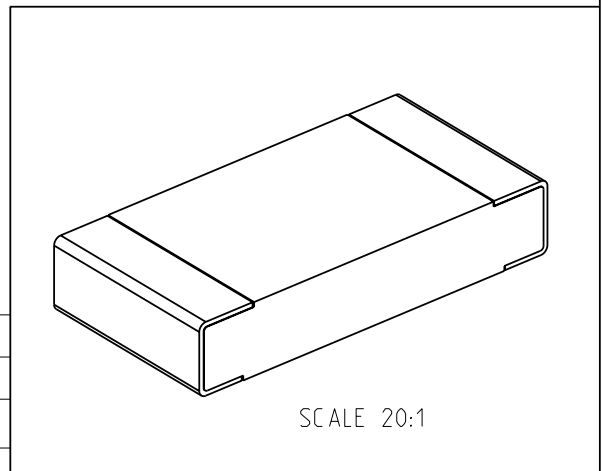


LOC	DIST	REVISIONS					
E	B	P	LTR	DESCRIPTION	DATE	DWN	APVD
			BA	NEW RELEASE	04-DEC-08	SM	St.P

FOR FURTHER INFORMATION SEE DATA SHEET FOR
FCR SERIES-FUSIBLE CHIP RESISTORS



RoHS Compliant



2010	5.0±0.2	2.5±0.2	0.6±0.1	0.5±0.3	0.4+0.2/-0.1
1206	3.2±0.2	1.6±0.2	0.6±0.1	0.5±0.3	0.5±0.25
STYLE	L	W	T	a	b

2008

RELEASED FOR PUBLICATION

THIS DRAWING IS UNPUBLISHED.

BY TYCO ELECTRONICS CORPORATION. ALL RIGHTS RESERVED.
COPYRIGHT 2008

DIMENSIONS:		DWN	04-DEC-08	MATERIAL	FINISH		
mm		SUBHASH.M		-		-	
TOLERANCES UNLESS OTHERWISE SPECIFIED:		CHK	04-DEC-08	Tyco Electronics Corporation Dorcan, Swindon, SN3 5HH			
0 PLC ±0.2		PRAKASH.S					
1 PLC ±0.1		APVD	04-DEC-08	NAME FUSIBLE CHIP RESISTORS SERIES FCR			
2 PLC ±-		STEPHEN.P					
3 PLC ±-		PRODUCT SPEC	-	SIZE CAGE CODE DRAWING NO RESTRICTED TO A 4 00779 C= 1879229 -			
4 PLC ±-		APPLICATION SPEC	-				
ANGLES ±5°		WEIGHT	-	SCALE 30:1 SHEET 1 OF 1 REV BA			
		CUSTOMER DRAWING					