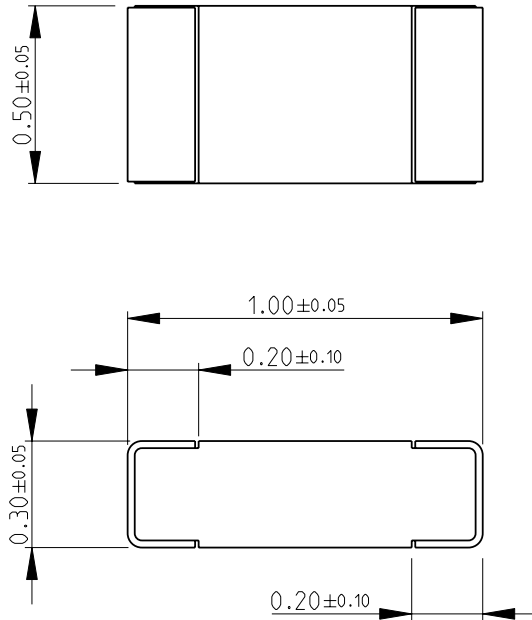
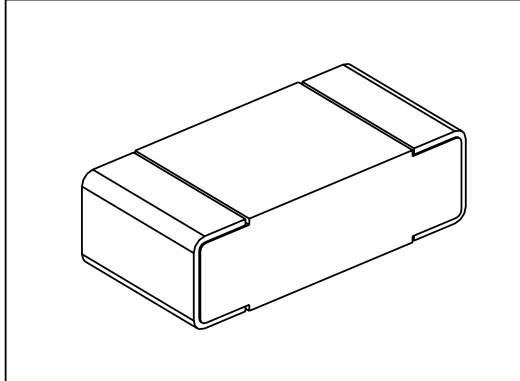


| LOC | DIST | REVISIONS |     |             |           |     |      |
|-----|------|-----------|-----|-------------|-----------|-----|------|
| E   | B    | P         | LTR | DESCRIPTION | DATE      | DWN | APVD |
|     |      |           | BA  | NEW RELEASE | 27-Sep-08 | SM  | St.P |

FOR FURTHER INFORMATION SEE DATA SHEET FOR  
CPF SERIES-THIN FILM PRECISION CHIP RESISTORS



RoHS Compliant



2008

RELEASED FOR PUBLICATION

THIS DRAWING IS UNPUBLISHED.

© COPYRIGHT 2008 BY TYCO ELECTRONICS CORPORATION. ALL RIGHTS RESERVED.

|  |                  |           |   |           |            |               |
|--|------------------|-----------|---|-----------|------------|---------------|
| DIMENSIONS:<br>mm<br><br>TOLERANCES UNLESS OTHERWISE SPECIFIED:<br><br>0 PLC $\pm 0.2$<br>1 PLC $\pm 0.1$<br>2 PLC $\pm$<br>3 PLC $\pm$<br>4 PLC $\pm$<br>ANGLES $\pm 5^\circ$ | DWN<br>SUBHASH.M | 27-Sep-08 | MATERIAL  | -         | FINISH     | -             |
|  | CHK<br>PRAKASH.S | 27-Sep-08 | Tyco Electronics Corporation<br>Dorcan, Swindon, SN3 5HH      |           |            |               |
| APVD<br>STEPHEN.P  | 27-Sep-08        |           |   |           |            |               |
|  | PRODUCT SPEC     | -         | NAME<br>THIN FILM PRECISION CHIP RESISTORS<br>SERIES CPF 0402 |           |            |               |
|  | APPLICATION SPEC | -         | SIZE  | CAGE CODE | DRAWING NO | RESTRICTED TO |
|  | WEIGHT           | -         | A 4   | 00779     | ©= 1879212 | -             |
| CUSTOMER DRAWING   |                  |           | SCALE   | 50:1      | SHEET      | 1 OF 1        |
|  |                  |           | REV BA  |           |            |               |