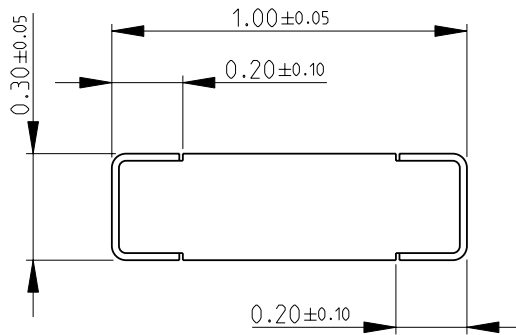
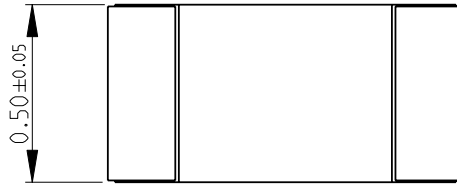
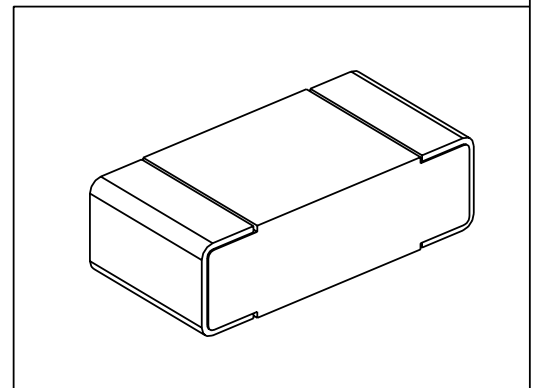


| LOC | DIST | REVISIONS |     |             |           |     |      |
|-----|------|-----------|-----|-------------|-----------|-----|------|
|     |      | P         | LTR | DESCRIPTION | DATE      | DWN | APVD |
| E   | B    |           | BA  | NEW RELEASE | 25-Sep-08 | SM  | St.P |

FOR FURTHER INFORMATION SEE DATA SHEET FOR  
CPF SERIES-THIN FILM PRECISION CHIP RESISTORS



RoHS Compliant



2008

RELEASED FOR PUBLICATION

THIS DRAWING IS UNPUBLISHED.

© COPYRIGHT 2008 BY TYCO ELECTRONICS CORPORATION. ALL RIGHTS RESERVED.

|  |                  |           |  |  |            |               |        |
|--|------------------|-----------|--|--|------------|---------------|--------|
| DIMENSIONS:<br>mm                      | DWN              | SUBHASH.M | 25-Sep-08  | MATERIAL   | -          | FINISH        | -      |
|  | CHK              | PRAKASH.S | 25-Sep-08  | Tyco Electronics Corporation<br>Dorcan, Swindon, SN3 5HH |            |               |        |
| TOLERANCES UNLESS OTHERWISE SPECIFIED: | APVD             | STEPHEN.P | 25-Sep-08  |  |            |               |        |
| 0 PLC ±0.5                             | PRODUCT SPEC     | -         | NAME THIN FILM PRECISION CHIP RESISTORS<br>SERIES CPF 0402 |  |            |               |        |
| 1 PLC ±0.2                             | APPLICATION SPEC | -         | SIZE   | CAGE CODE  | DRAWING NO | RESTRICTED TO |        |
| 2 PLC ±0.1                             | -                | -         | A 4  | 00779  | ©= 1879061 | -             |        |
| 3 PLC ±-                               | WEIGHT           | -         | CUSTOMER DRAWING   |  |            |               |        |
| 4 PLC ±-                               | -                | -         | SCALE  | 50:1   | SHEET      | 1 OF 1        | REV BA |
| ANGLES ±5°                             |                  |           |  |  |            |               |        |

