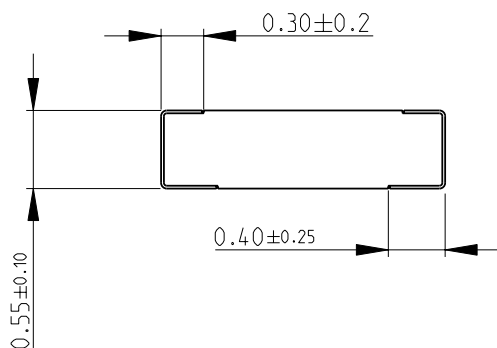
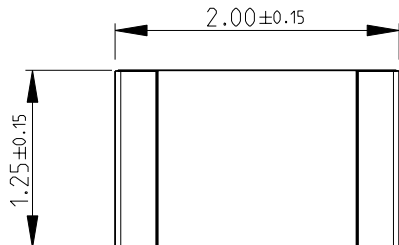
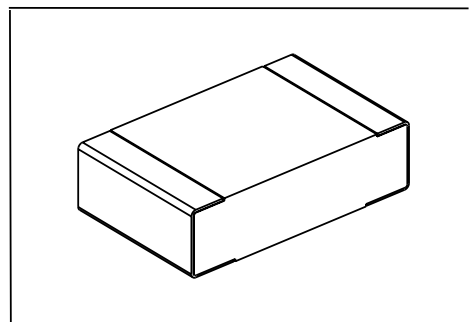
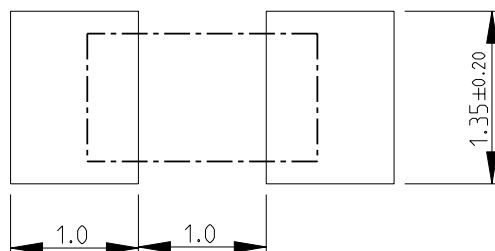


LOC	DIST	REVISIONS				
P	LTR	DESCRIPTION	DATE	DWN	APVD	
E	B	BB	NEW RELEASE	20JULY2010	PT	St.P

FOR FURTHER INFORMATION SEE DATA SHEET FOR  
RN73 SERIES-HIGH PRECISION RESISTORS (SMD)



RECOMMENDED LAND PATTERN



2010

RELEASED FOR PUBLICATION

THIS DRAWING IS UNPUBLISHED.

BY TYCO ELECTRONICS CORPORATION. ALL RIGHTS RESERVED.

© COPYRIGHT 2010

DIMENSIONS: mm	DWN	20JULY2010	MATERIAL	FINISH			
	PARUSURAM.T		-	-			
TOLERANCES UNLESS OTHERWISE SPECIFIED:  0 PLC ±0.2 1 PLC ±0.1 2 PLC ± 3 PLC ± 4 PLC ± ANGLES ±5°	CHK	20JULY2010	Tyco Electronics Corporation Dorcan, Swindon, SN3 5HH				
	ALLAN.P						
	APVD	20JULY2010	NAME HIGH PRECISION RESISTORS (SMD) SERIES RN73 2A				
	STEPHEN.P						
PRODUCT SPEC	-	SIZE	CAGE CODE	DRAWING NO	RESTRICTED TO		
APPLICATION SPEC	-	A 4	00779	©= 1614745	-		
WEIGHT	-	CUSTOMER DRAWING		SCALE	SHEET	OF	REV
				20:1	1	1	BB