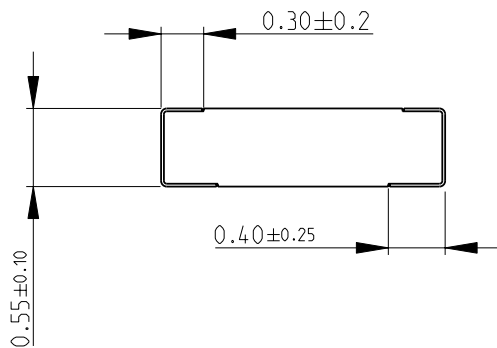
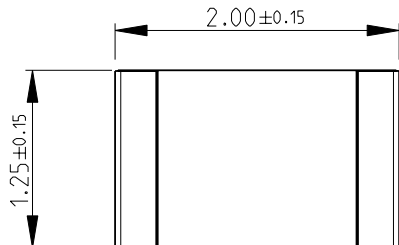
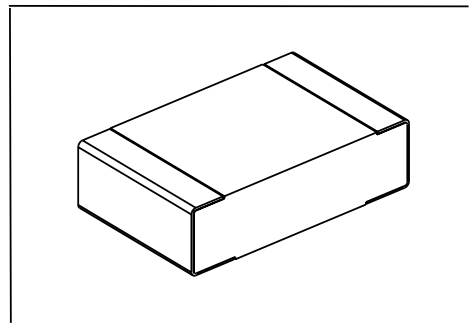
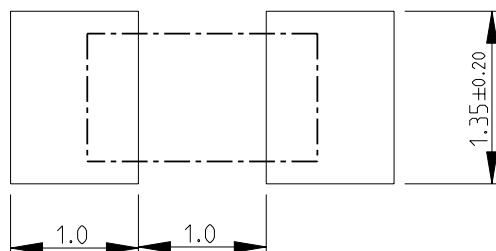


LOC	DIST	REVISIONS				
P	LTR	DESCRIPTION	DATE	DWN	APVD	
E	B	BB	NEW RELEASE	20JULY2010	PT	St.P

FOR FURTHER INFORMATION SEE DATA SHEET FOR
RN73 SERIES-HIGH PRECISION RESISTORS (SMD)



RECOMMENDED LAND PATTERN



2010

RELEASED FOR PUBLICATION

THIS DRAWING IS UNPUBLISHED.

BY TYCO ELECTRONICS CORPORATION. ALL RIGHTS RESERVED.
© COPYRIGHT 2010

DIMENSIONS: mm	DWN	20JULY2010	MATERIAL	FINISH		
	PARUSURAM.T		-	-		
TOLERANCES UNLESS OTHERWISE SPECIFIED: 0 PLC ±0.2 1 PLC ±0.1 2 PLC ± 3 PLC ± 4 PLC ± ANGLES ±5°	CHK	20JULY2010		Tyco Electronics Corporation		
	ALLAN.P			Dorcan, Swindon, SN3 5HH		
	APVD	20JULY2010	NAME HIGH PRECISION RESISTORS (SMD) SERIES RN73 2A			
	STEPHEN.P		SIZE	CAGE CODE	DRAWING NO	RESTRICTED TO
PRODUCT SPEC	-	A 4	00779	©= 1614744	-	
APPLICATION SPEC	-	WEIGHT	-			
CUSTOMER DRAWING		SCALE	20:1	SHEET	1 OF 1	REV BB