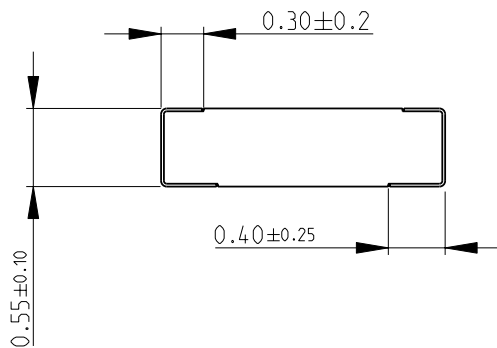
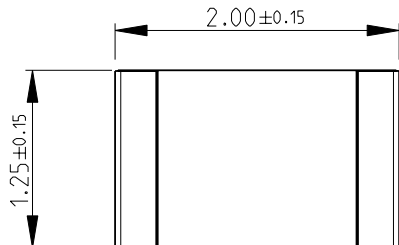
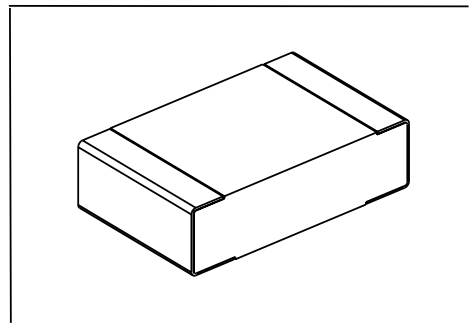
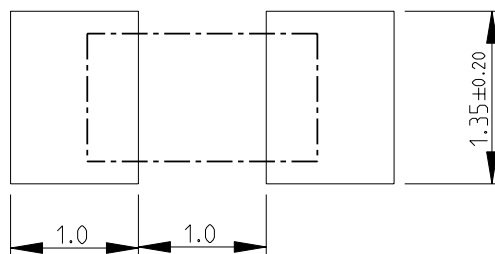


| LOC | DIST | REVISIONS | | | | |
|-----|------|-------------|-------------|------------|------|------|
| P | LTR | DESCRIPTION | DATE | DWN | APVD | |
| E | B | BB | NEW RELEASE | 20JULY2010 | PT | St.P |

FOR FURTHER INFORMATION SEE DATA SHEET FOR
RN73 SERIES-HIGH PRECISION RESISTORS (SMD)



RECOMMENDED LAND PATTERN



2010

RELEASED FOR PUBLICATION

THIS DRAWING IS UNPUBLISHED.

BY TYCO ELECTRONICS CORPORATION. ALL RIGHTS RESERVED.
COPYRIGHT 2010

| | | | | | | | |
|--|------------------|-------------|------------|--|-----------|------------|---------------|
| DIMENSIONS: mm | DWN | PARUSURAM.T | 20JULY2010 | MATERIAL | - | FINISH | - |
| | CHK | ALLAN.P | 20JULY2010 | Tyco Electronics Corporation Dorcan, Swindon, SN3 5HH | | | |
| TOLERANCES UNLESS OTHERWISE SPECIFIED: | APVD | STEPHEN.P | 20JULY2010 | | | | |
| 0 PLC ±0.2 | PRODUCT SPEC | - | - | NAME HIGH PRECISION RESISTORS (SMD) SERIES RN73 2A | | | |
| 1 PLC ±0.1 | APPLICATION SPEC | - | - | SIZE | CAGE CODE | DRAWING NO | RESTRICTED TO |
| 2 PLC ±- | - | - | - | A 4 | 00779 | ©= 1614746 | - |
| 3 PLC ±- | WEIGHT | - | - | SCALE 20:1 SHEET 1 OF 1 REV BB | | | |
| 4 PLC ±- | - | - | - | CUSTOMER DRAWING | | | |
| ANGLES ±5° | | | | | | | |