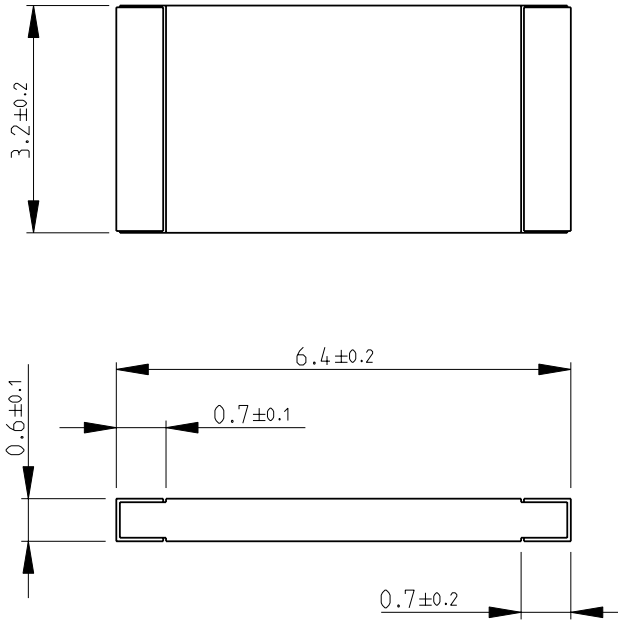
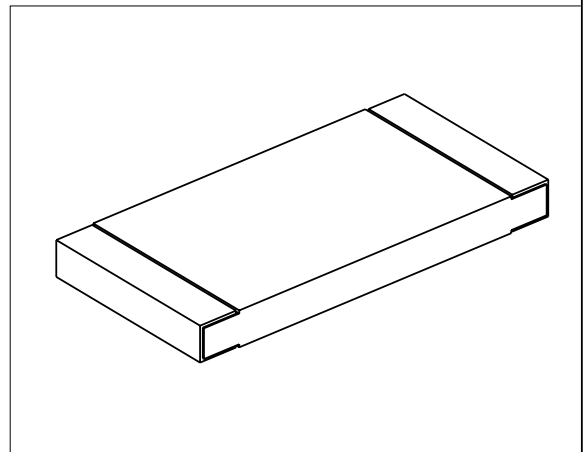


LOC	DIST	REVISIONS				
P	LTR	DESCRIPTION	DATE	DWN	APVD	
E	B	BA	NEW RELEASE	01-DEC-08	SM	St.P



FOR FURTHER INFORMATION SEE DATA SHEET FOR  
3520 SERIES-SMD POWER RESISTORS

RoHS Compliant



2008

RELEASED FOR PUBLICATION

THIS DRAWING IS UNPUBLISHED.

© COPYRIGHT 2008 BY TYCO ELECTRONICS CORPORATION. ALL RIGHTS RESERVED.

DIMENSIONS: mm	DWN	SUBHASH.M	01-DEC-08	MATERIAL	-	FINISH	-
	CHK	PRAKASH.S	01-DEC-08	Tyco Electronics Corporation Dorcan, Swindon, SN3 5HH			
TOLERANCES UNLESS OTHERWISE SPECIFIED:	APVD	STEPHEN.P	01-DEC-08				
0 PLC ±0.2	PRODUCT SPEC	-	-	NAME SMD POWER RESISTOR SERIES 3520			
1 PLC ±0.1	APPLICATION SPEC	-	-	SIZE	CAGE CODE	DRAWING NO	RESTRICTED TO
2 PLC ±-				A 4	00779	©= 1879005	-
3 PLC ±-				CUSTOMER DRAWING			
4 PLC ±-	WEIGHT	-	-	SCALE	10:1	SHEET	1 OF 1
ANGLES ±5°						REV	BA