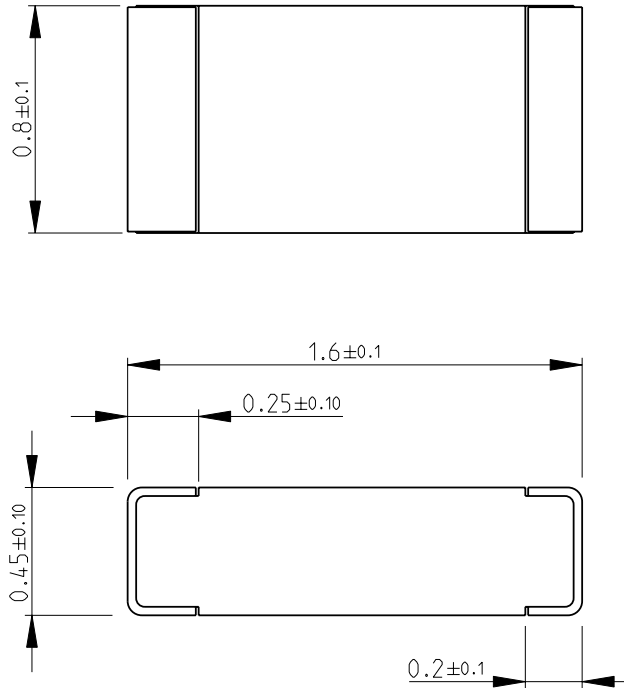
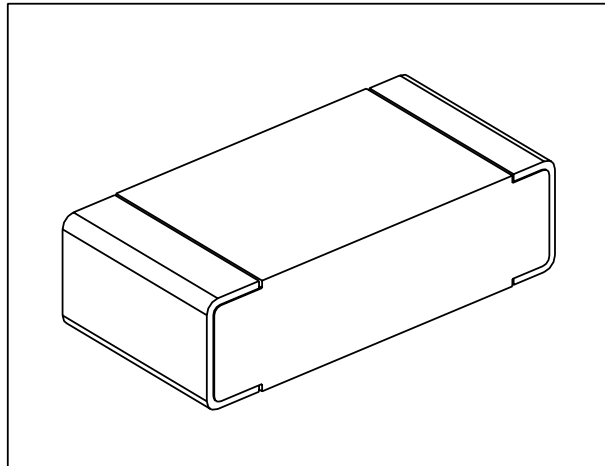


LOC	DIST	REVISIONS				
P	LTR	DESCRIPTION	DATE	DWN	APVD	
E	B	BA	NEW RELEASE	29-Sep-08	SM	St.P

FOR FURTHER INFORMATION SEE DATA SHEET FOR
CPF SERIES-THIN FILM PRECISION CHIP RESISTORS



RoHS Compliant



THIS DRAWING IS UNPUBLISHED.
 2008
 RELEASED FOR PUBLICATION
 BY TYCO ELECTRONICS CORPORATION. ALL RIGHTS RESERVED.
 COPYRIGHT 2008

DIMENSIONS: mm	DWN	SUBHASH.M	29-Sep-08	MATERIAL	-	FINISH	-		
	CHK	PRAKASH.S	29-Sep-08	Tyco Electronics Corporation Dorcan, Swindon, SN3 5HH					
TOLERANCES UNLESS OTHERWISE SPECIFIED: 0 PLC ± 0.2 1 PLC ± 0.1 2 PLC $\pm -$ 3 PLC $\pm -$ 4 PLC $\pm -$ ANGLES $\pm 5^\circ$	APVD	STEPHEN.P	29-Sep-08						
	PRODUCT SPEC	-		NAME THIN FILM PRECISION CHIP RESISTORS SERIES CPF 0603					
	APPLICATION SPEC	-		SIZE	A 4	CAGE CODE	00779		
	WEIGHT	-		DRAWING NO	C= 1879339		RESTRICTED TO	-	
	CUSTOMER DRAWING			SCALE	40:1	SHEET	1 OF 1	REV	BA