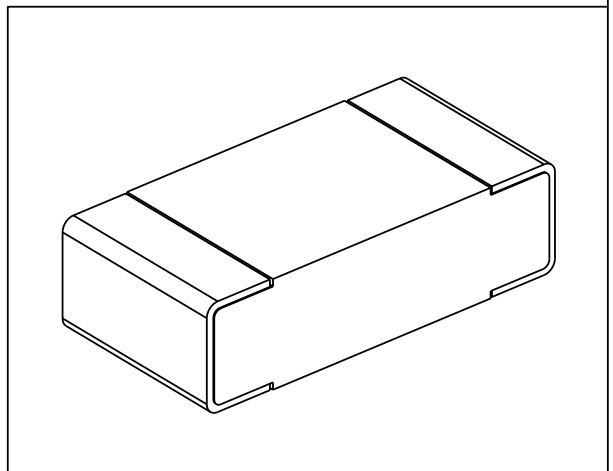
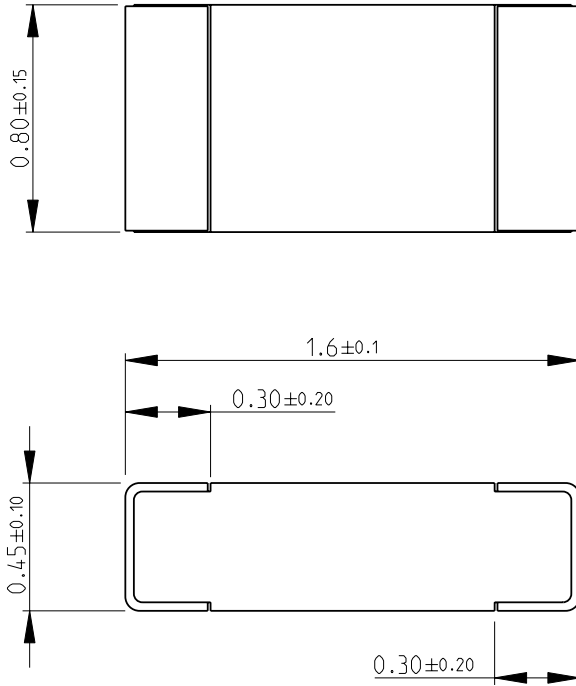


LOC	DIST	REVISIONS				
P	LTR	DESCRIPTION	DATE	DWN	APVD	
E	B	BA	NEW RELEASE	06-Oct-08	SM	St.P

FOR FURTHER INFORMATION SEE DATA SHEET FOR
CRG SERIES-THICK FILM CHIP RESISTORS



RoHS Compliant

2008

RELEASED FOR PUBLICATION

THIS DRAWING IS UNPUBLISHED.

© COPYRIGHT 2008 BY TYCO ELECTRONICS CORPORATION. ALL RIGHTS RESERVED.

DIMENSIONS: mm	DWN	SUBHASH.M	06-Oct-08	MATERIAL	-	FINISH	-
	CHK	PRAKASH.S	06-Oct-08	Tyco Electronics Corporation Dorcan, Swindon, SN3 5HH			
TOLERANCES UNLESS OTHERWISE SPECIFIED:	APVD	STEPHEN.P	06-Oct-08				
0 PLC ± 0.5	PRODUCT SPEC	-	-	NAME THICK FILM CHIP RESISTORS SERIES CRG 0603			
1 PLC ± 0.2	APPLICATION SPEC	-	-	SIZE	CAGE CODE	DRAWING NO	RESTRICTED TO
2 PLC ± 0.1	-	-	-	A 4	00779	© = 1622830	-
3 PLC \pm	-	-	-	CUSTOMER DRAWING			
4 PLC \pm	WEIGHT	-	-	SCALE	40:1	SHEET	1 OF 1
ANGLES $\pm 5^\circ$	-	-	-	REV	BA		