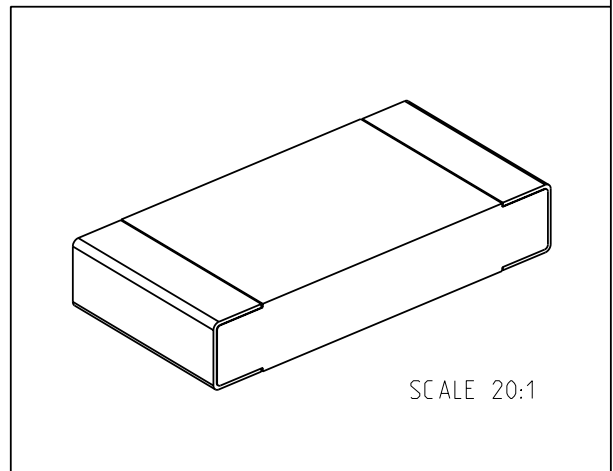
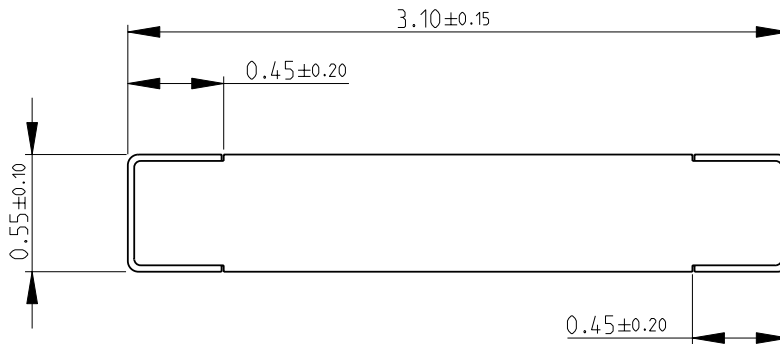
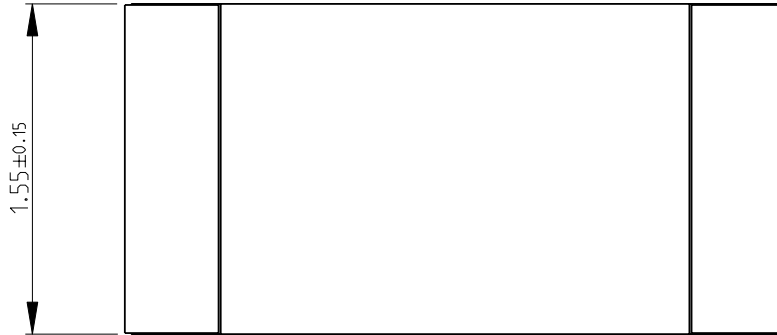


LOC	DIST	REVISIONS				
P	LTR	DESCRIPTION	DATE	DWN	APVD	
E	B	BA	NEW RELEASE	31-DEC-09	MRS	St.P

FOR FURTHER INFORMATION SEE DATA SHEET FOR
CRG SERIES-THICK FILM CHIP RESISTORS



RoHS Compliant

SCALE 20:1

2009

RELEASED FOR PUBLICATION

BY TYCO ELECTRONICS CORPORATION. ALL RIGHTS RESERVED.

THIS DRAWING IS UNPUBLISHED.

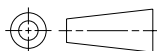


DIMENSIONS:

mm

TOLERANCES UNLESS OTHERWISE SPECIFIED:

0 PLC	±0.5
1 PLC	±0.2
2 PLC	±0.1
3 PLC	±
4 PLC	±
ANGLES	±5°



DWN	MAHARUDRA	31-DEC-09
CHK	ALLAN.P	31-DEC-09
APVD	STEPHEN.P	31-DEC-09
PRODUCT SPEC	-	
APPLICATION SPEC	-	
WEIGHT	-	

MATERIAL	-		FINISH	-	
Tyco Electronics Corporation Dorcan, Swindon, SN3 5HH					
NAME THICK FILM CHIP RESISTORS SERIES CRG 1206					
SIZE	CAGE CODE	DRAWING NO	RESTRICTED TO		
A 4	00779	©= 1623402	-		

CUSTOMER DRAWING

SCALE 30:1 SHEET 1 OF 1 REV BA