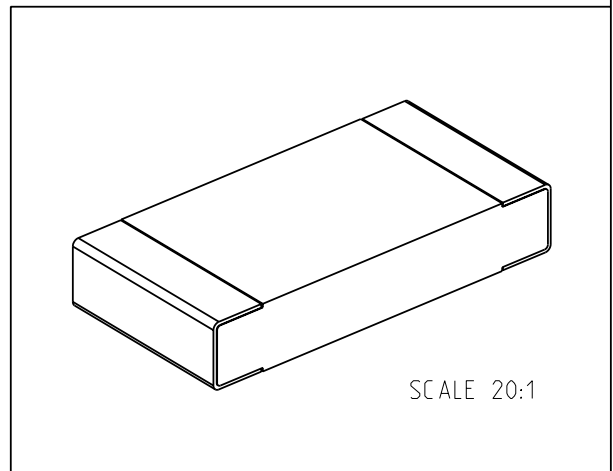
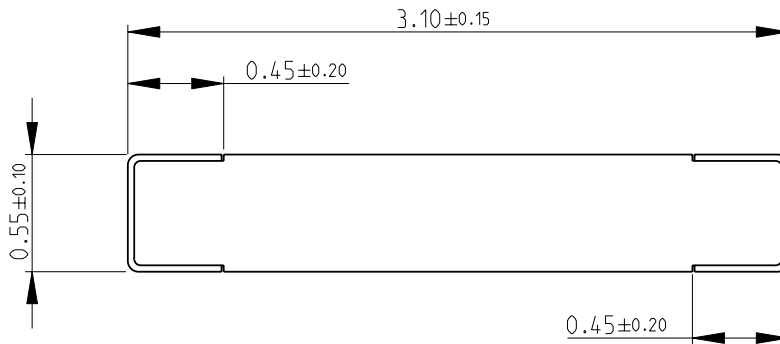
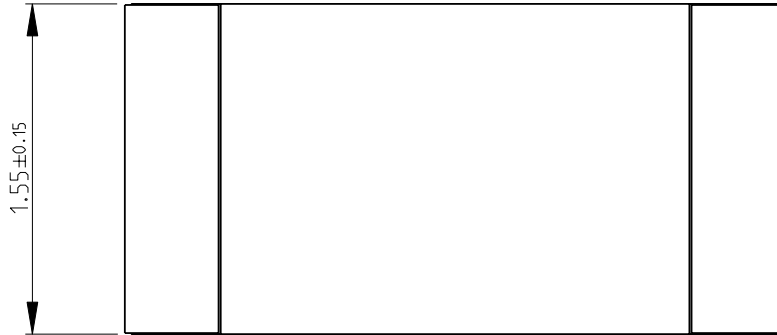


LOC	DIST	REVISIONS				
P	LTR	DESCRIPTION	DATE	DWN	APVD	
E	B	BA	NEW RELEASE	07-OCT-09	MRS	St.P

FOR FURTHER INFORMATION SEE DATA SHEET FOR
CRG SERIES-THICK FILM CHIP RESISTORS



RoHS Compliant

SCALE 20:1


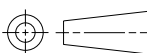
2009

RELEASED FOR PUBLICATION

BY TYCO ELECTRONICS CORPORATION. ALL RIGHTS RESERVED.

THIS DRAWING IS UNPUBLISHED.

© COPYRIGHT 2009

DIMENSIONS: mm	DWN MAHARUDRA	07-OCT-09	MATERIAL	-	FINISH	-
	CHK ALLAN.P	07-OCT-09	 Tyco Electronics Corporation Dorcan, Swindon, SN3 5HH			
TOLERANCES UNLESS OTHERWISE SPECIFIED:	APVD STEPHEN.P	07-OCT-09				
0 PLC ±0.5	PRODUCT SPEC		NAME THICK FILM CHIP RESISTORS			
1 PLC ±0.2	-		SERIES CRG 1206			
2 PLC ±0.1	APPLICATION SPEC		SIZE	CAGE CODE	DRAWING NO	RESTRICTED TO
3 PLC ±-	-		A 4	00779	© = 1623411	-
4 PLC ±-	-		CUSTOMER DRAWING			
ANGLES ±5°	WEIGHT		SCALE	SHEET	OF	REV
	-		30:1	1	1	BA