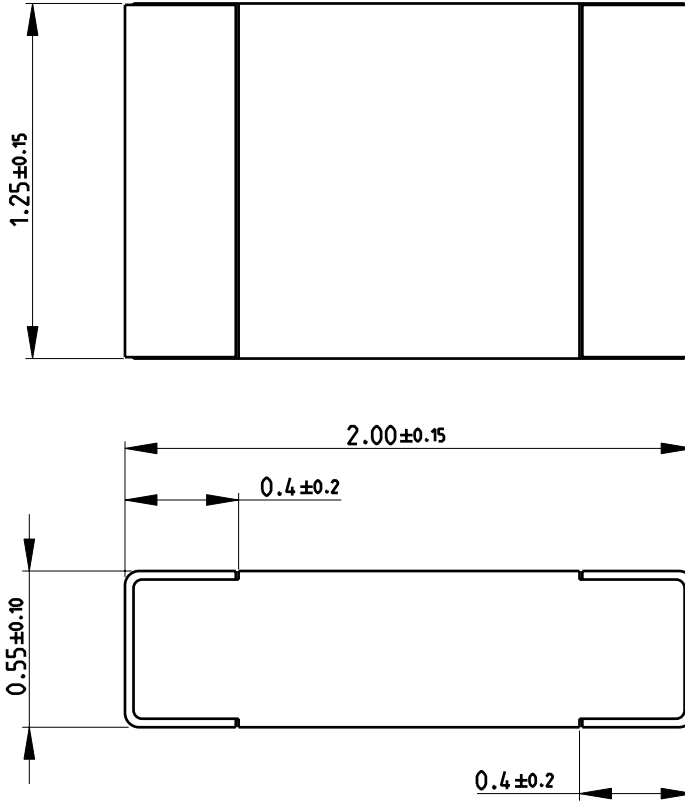
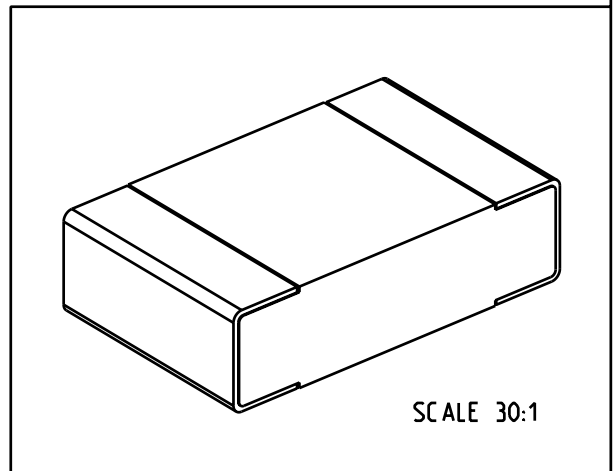


LOC	DIST	REVISIONS					
E	B	P	LTR	DESCRIPTION	DATE	DWN	APVD
			BA	NEW RELEASE	19-AUG-09	MRS	St.P

FOR FURTHER INFORMATION SEE DATA SHEET FOR  
CRG SERIES-THICK FILM CHIP RESISTORS



RoHS Compliant



2009

RELEASED FOR PUBLICATION

THIS DRAWING IS UNPUBLISHED.

BY TYCO ELECTRONICS CORPORATION. ALL RIGHTS RESERVED.

© COPYRIGHT 2009

DIMENSIONS: <b>mm</b>	DWN <b>MAHARUDRA</b>	19-AUG-09	MATERIAL	-	FINISH	-
	CHK <b>ALLAN.P</b>	19-AUG-09	<b>Tyco Electronics Corporation</b> Dorcan, Swindon, SN3 5HH			
TOLERANCES UNLESS OTHERWISE SPECIFIED:	APVD <b>STEPHEN.P</b>	19-AUG-09				
0 PLC ±0.5	PRODUCT SPEC	-	NAME <b>THICK FILM CHIP RESISTORS</b> <b>SERIES CRG 0805</b>			
1 PLC ±0.2	APPLICATION SPEC	-	SIZE	CAGE CODE	DRAWING NO	RESTRICTED TO
2 PLC ±0.1	WEIGHT	-	A 4	00779	© = 1623301	-
3 PLC ±			CUSTOMER DRAWING			
4 PLC ±			SCALE	40:1	SHEET	1 OF 1
ANGLES ±5°					REV	BA