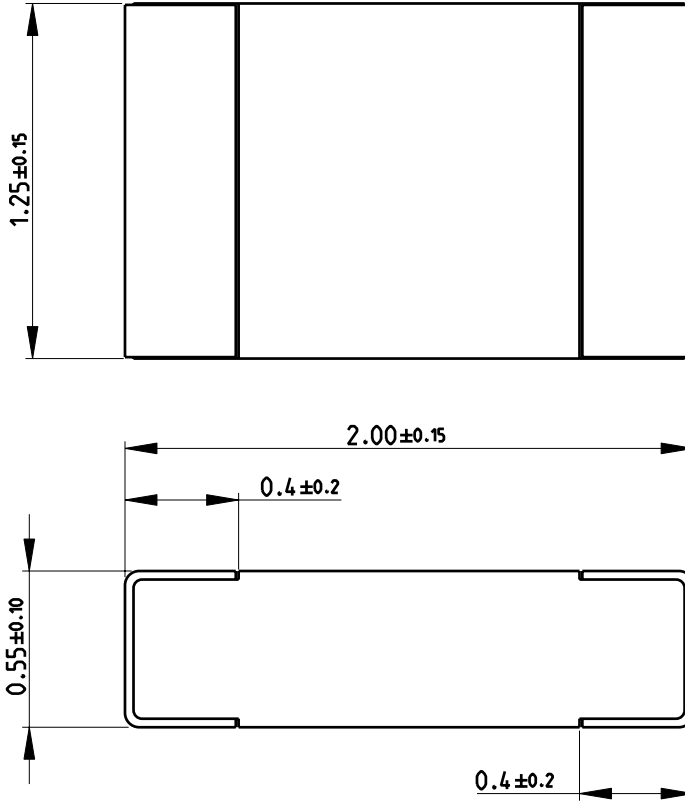
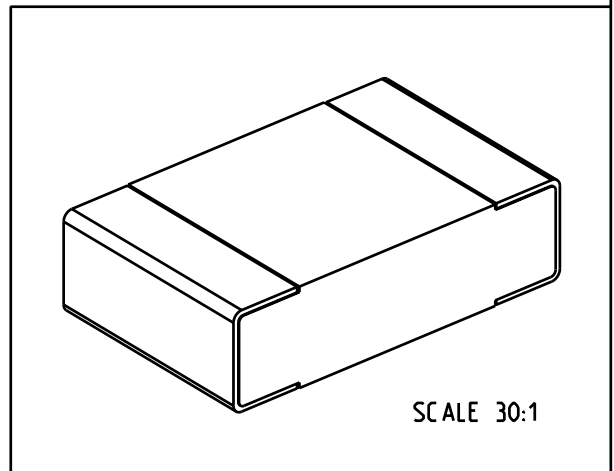


LOC	DIST	REVISIONS					
E	B	P	LTR	DESCRIPTION	DATE	DWN	APVD
			BA	NEW RELEASE	06-AUG-09	SM	St.P

FOR FURTHER INFORMATION SEE DATA SHEET FOR  
CRG SERIES-THICK FILM CHIP RESISTORS



RoHS Compliant



2009

RELEASED FOR PUBLICATION

THIS DRAWING IS UNPUBLISHED.

BY TYCO ELECTRONICS CORPORATION. ALL RIGHTS RESERVED.

© COPYRIGHT 2009

DIMENSIONS: mm  TOLERANCES UNLESS OTHERWISE SPECIFIED: 0 PLC $\pm 0.5$ 1 PLC $\pm 0.2$ 2 PLC $\pm 0.1$ 3 PLC $\pm -$ 4 PLC $\pm -$ ANGLES $\pm 5^\circ$	DWN SUBHASH.M 06-AUG-09	MATERIAL	-	FINISH	-
	CHK ALLAN.P 06-AUG-09	Tyco Electronics Corporation Dorcan, Swindon, SN3 5HH			
	APVD STEPHEN.P 06-AUG-09	NAME THICK FILM CHIP RESISTORS SERIES CRG 0805			
	PRODUCT SPEC - APPLICATION SPEC - WEIGHT -	SIZE A 4	CAGE CODE 00779	DRAWING NO C= 1623291	RESTRICTED TO -
CUSTOMER DRAWING			SCALE 40:1	SHEET 1 OF 1	REV BA