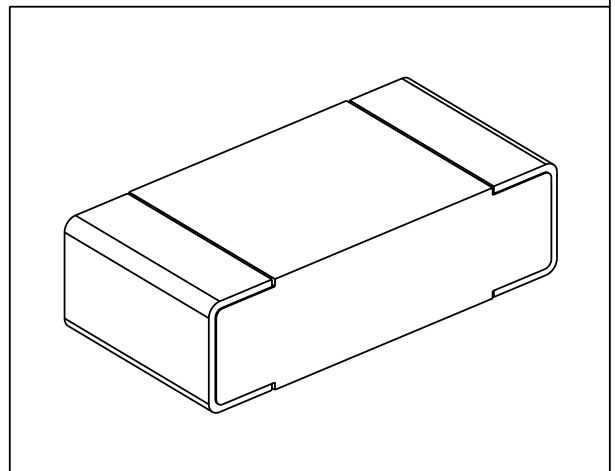
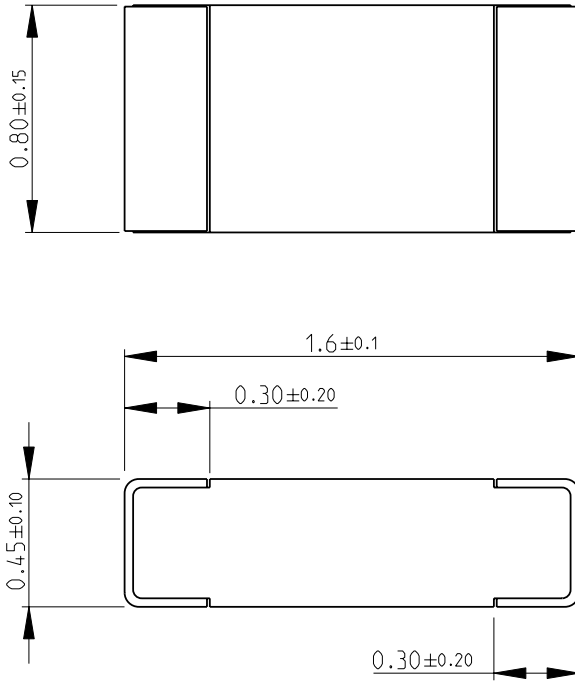


LOC	DIST	REVISIONS					
E	B	P	LTR	DESCRIPTION	DATE	DWN	APVD
			BA	NEW RELEASE			03-NOV-08

FOR FURTHER INFORMATION SEE DATA SHEET FOR
CRG SERIES-THICK FILM CHIP RESISTORS



RoHS Compliant

2008

RELEASED FOR PUBLICATION

THIS DRAWING IS UNPUBLISHED.

© COPYRIGHT 2008 BY TYCO ELECTRONICS CORPORATION. ALL RIGHTS RESERVED.

DIMENSIONS: mm		DWN SUBHASH.M	03-NOV-08	MATERIAL	-	FINISH	-	
TOLERANCES UNLESS OTHERWISE SPECIFIED:		CHK PRAKASH.S	03-NOV-08	Tyco Electronics Corporation Dorcan, Swindon, SN3 5HH				
		APVD STEPHEN.P	03-NOV-08					
0 PLC ±0.5	±5°	PRODUCT SPEC	-	NAME THICK FILM CHIP RESISTORS SERIES CRG 0603				
1 PLC ±0.2		APPLICATION SPEC	-	SIZE	CAGE CODE	DRAWING NO	RESTRICTED TO	
2 PLC ±0.1		WEIGHT	-	A 4	00779	©= 1622881	-	
3 PLC ±-		CUSTOMER DRAWING		SCALE	40:1	SHEET	1 OF 1	REV
4 PLC ±-								BA