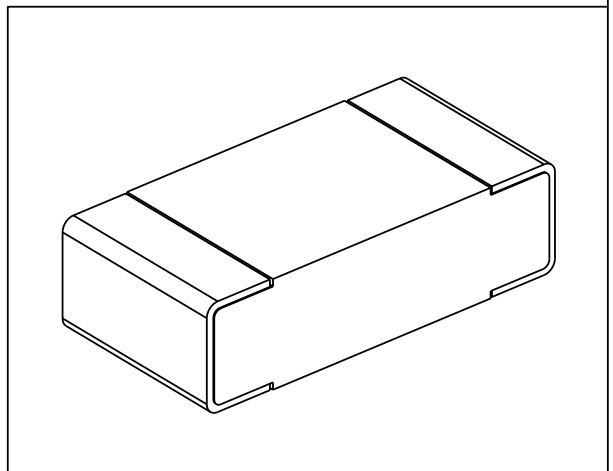
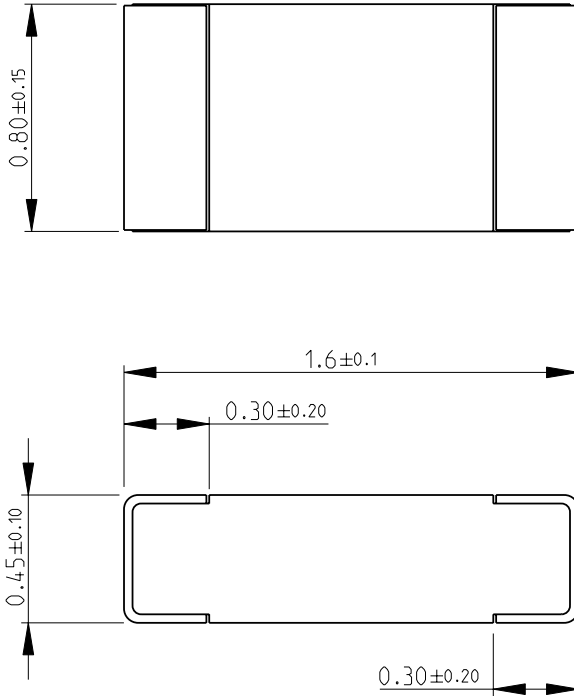


LOC	DIST	REVISIONS				
P	LTR	DESCRIPTION	DATE	DWN	APVD	
E	B	BA	NEW RELEASE	03-NOV-08	SM	St.P

FOR FURTHER INFORMATION SEE DATA SHEET FOR
CRG SERIES-THICK FILM CHIP RESISTORS



RoHS Compliant

2008

RELEASED FOR PUBLICATION

THIS DRAWING IS UNPUBLISHED.

© COPYRIGHT 2008 BY TYCO ELECTRONICS CORPORATION. ALL RIGHTS RESERVED.

DIMENSIONS: mm		DWN SUBHASH.M	03-NOV-08	MATERIAL	-	FINISH	-
TOLERANCES UNLESS OTHERWISE SPECIFIED:		CHK PRAKASH.S	03-NOV-08	Tyco Electronics Corporation Dorcan, Swindon, SN3 5HH			
		APVD STEPHEN.P	03-NOV-08				
0 PLC ±0.5	±5°	PRODUCT SPEC		NAME THICK FILM CHIP RESISTORS SERIES CRG 0603			
1 PLC ±0.2		APPLICATION SPEC		SIZE	CAGE CODE	DRAWING NO	RESTRICTED TO
2 PLC ±0.1		WEIGHT		A 4	00779	©= 1622853	-
3 PLC ±-		CUSTOMER DRAWING		SCALE	40:1	SHEET	1 OF 1
4 PLC ±-		CUSTOMER DRAWING		REV	BA		