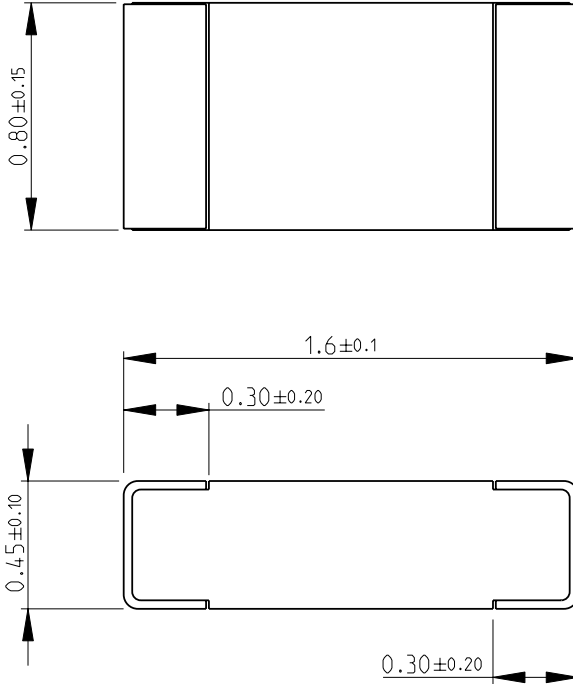
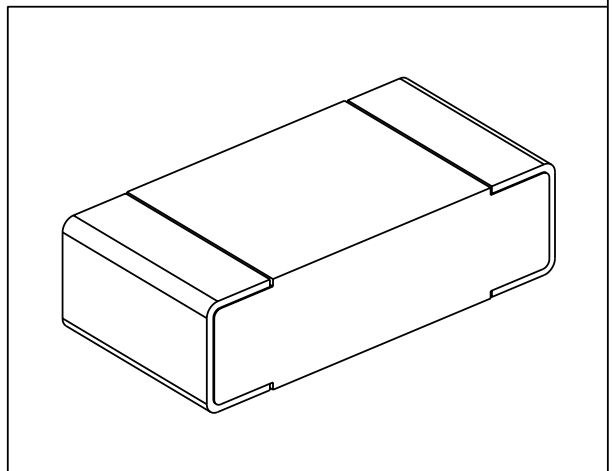


LOC	DIST	REVISIONS				
P	LTR	DESCRIPTION	DATE	DWN	APVD	
E	B	BA	NEW RELEASE	04-NOV-08	SM	St.P

FOR FURTHER INFORMATION SEE DATA SHEET FOR
CRG SERIES-THICK FILM CHIP RESISTORS



RoHS Compliant



2008

RELEASED FOR PUBLICATION

THIS DRAWING IS UNPUBLISHED.

© COPYRIGHT 2008 BY TYCO ELECTRONICS CORPORATION. ALL RIGHTS RESERVED.

DIMENSIONS: mm	DWN	SUBHASH.M	04-NOV-08	MATERIAL	-	FINISH	-		
	CHK	PRAKASH.S	04-NOV-08	Tyco Electronics Corporation Dorcan, Swindon, SN3 5HH	NAME THICK FILM CHIP RESISTORS SERIES CRG 0603				
TOLERANCES UNLESS OTHERWISE SPECIFIED:	APVD	STEPHEN.P	04-NOV-08						
0 PLC ± 0.5	PRODUCT SPEC	-	-	SIZE	A 4	CAGE CODE	00779		
1 PLC ± 0.2	APPLICATION SPEC	-	-	DRAWING NO	C= 1622960		RESTRICTED TO	-	
2 PLC ± 0.1	WEIGHT	-	-	CUSTOMER DRAWING			SCALE	40:1	
3 PLC \pm				SCALE			40:1	SHEET	1
4 PLC \pm				SCALE			40:1	OF	1
ANGLES $\pm 5^\circ$				SCALE			40:1	REV	BA