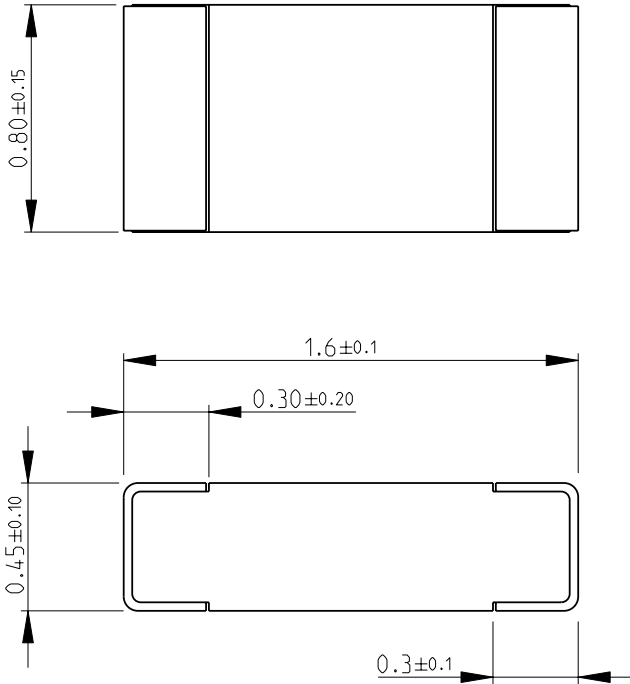
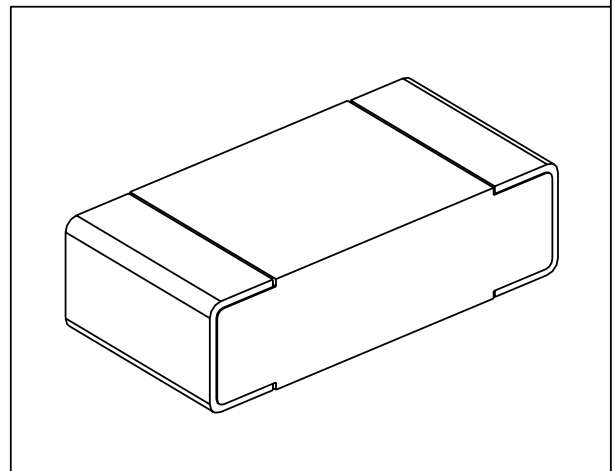


| LOC | DIST | REVISIONS | | | | |
|-----|------|-------------|-------------|-----------|------|------|
| P | LTR | DESCRIPTION | DATE | DWN | APVD | |
| E | B | BA | NEW RELEASE | 06-Oct-08 | SM | St.P |

FOR FURTHER INFORMATION SEE DATA SHEET FOR
CRG SERIES-THICK FILM CHIP RESISTORS



RoHS Compliant



2008

RELEASED FOR PUBLICATION

THIS DRAWING IS UNPUBLISHED.

© COPYRIGHT 2008 BY TYCO ELECTRONICS CORPORATION. ALL RIGHTS RESERVED.

| | | | | | | | |
|--|------------------|-----------|------------------|--|------------|---------------|-----|
| DIMENSIONS: mm | DWN | SUBHASH.M | 06-Oct-08 | MATERIAL | - | FINISH | - |
| | CHK | PRAKASH.S | 06-Oct-08 | Tyco Electronics Corporation Dorcan, Swindon, SN3 5HH | | | |
| TOLERANCES UNLESS OTHERWISE SPECIFIED: | APVD | STEPHEN.P | 06-Oct-08 | | | | |
| 0 PLC ±0.2 | PRODUCT SPEC | - | NAME | THICK FILM CHIP RESISTORS SERIES CRG 0603 | | | |
| 1 PLC ±0.1 | APPLICATION SPEC | - | SIZE | CAGE CODE | DRAWING NO | RESTRICTED TO | |
| 2 PLC ±- | WEIGHT | - | A 4 | 00779 | ©= 1622827 | - | |
| 3 PLC ±- | | | CUSTOMER DRAWING | | SCALE | SHEET | OF |
| 4 PLC ±- | | | | | 40:1 | 1 | 1 |
| ANGLES ±5° | | | | | | | REV |
| | | | | | | | BA |