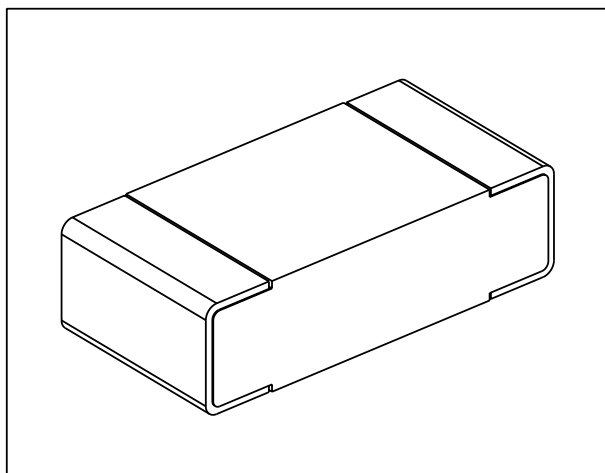
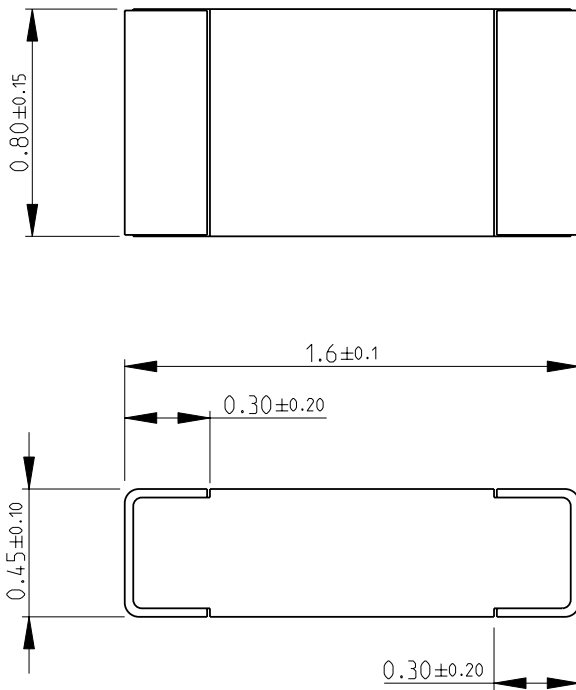


LOC	DIST	REVISIONS				
P	LTR	DESCRIPTION	DATE	DWN	APVD	
E	B	BA	NEW RELEASE	05-NOV-08	SM	St.P

FOR FURTHER INFORMATION SEE DATA SHEET FOR
CRG SERIES-THICK FILM CHIP RESISTORS



RoHS Compliant

2008

RELEASED FOR PUBLICATION

THIS DRAWING IS UNPUBLISHED.

© COPYRIGHT 2008 BY TYCO ELECTRONICS CORPORATION. ALL RIGHTS RESERVED.

DIMENSIONS: mm	DWN	SUBHASH.M	05-NOV-08	MATERIAL	-	FINISH	-	
	CHK	PRAKASH.S	05-NOV-08	Tyco Electronics Corporation Dorcan, Swindon, SN3 5HH				
TOLERANCES UNLESS OTHERWISE SPECIFIED:	APVD	STEPHEN.P	05-NOV-08					
0 PLC ± 0.5	PRODUCT SPEC	-	NAME	THICK FILM CHIP RESISTORS SERIES CRG 0603				
1 PLC ± 0.2	APPLICATION SPEC	-	SIZE	CAGE CODE	DRAWING NO	RESTRICTED TO		
2 PLC ± 0.1	-	-	A 4	00779	© = 1623038	-		
3 PLC \pm	WEIGHT	-	CUSTOMER DRAWING				SCALE	40:1
4 PLC \pm	-	-	SCALE				SHEET	1 OF 1
ANGLES $\pm 5^\circ$			REV				BA	