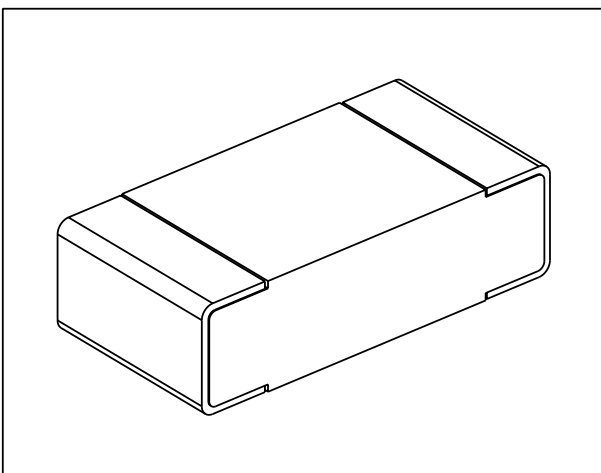
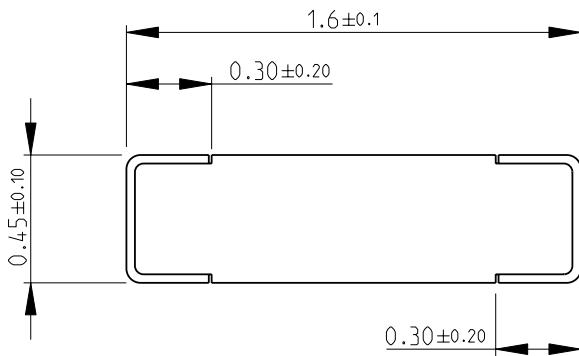
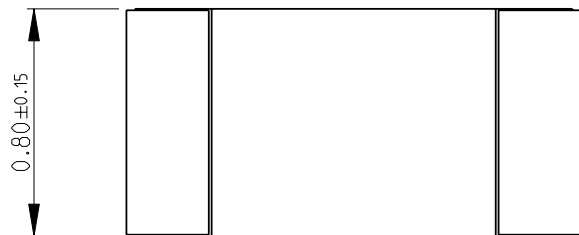


LOC	DIST	REVISIONS				
P	LTR	DESCRIPTION	DATE	DWN	APVD	
E	B	BA	NEW RELEASE	10-NOV-08	SM	St.P

FOR FURTHER INFORMATION SEE DATA SHEET FOR  
CRG SERIES-THICK FILM CHIP RESISTORS



RoHS Compliant

2008

RELEASED FOR PUBLICATION

THIS DRAWING IS UNPUBLISHED.

© COPYRIGHT 2008 BY TYCO ELECTRONICS CORPORATION. ALL RIGHTS RESERVED.

DIMENSIONS: mm	DWN	SUBHASH.M	10-NOV-08	MATERIAL	-	FINISH	-	
	CHK	PRAKASH.S	10-NOV-08	Tyco Electronics Corporation Dorcan, Swindon, SN3 5HH				
TOLERANCES UNLESS OTHERWISE SPECIFIED:  0 PLC ±0.5 1 PLC ±0.2 2 PLC ±0.1 3 PLC ±- 4 PLC ±- ANGLES ±5°	APVD	STEPHEN.P	10-NOV-08					NAME
	PRODUCT SPEC	-		SIZE	CAGE CODE	DRAWING NO	RESTRICTED TO	
	APPLICATION SPEC	-		A 4	00779	© = 1623087	-	
	WEIGHT	-		CUSTOMER DRAWING			SCALE	40:1
							SHEET	1 OF 1
							REV	BA