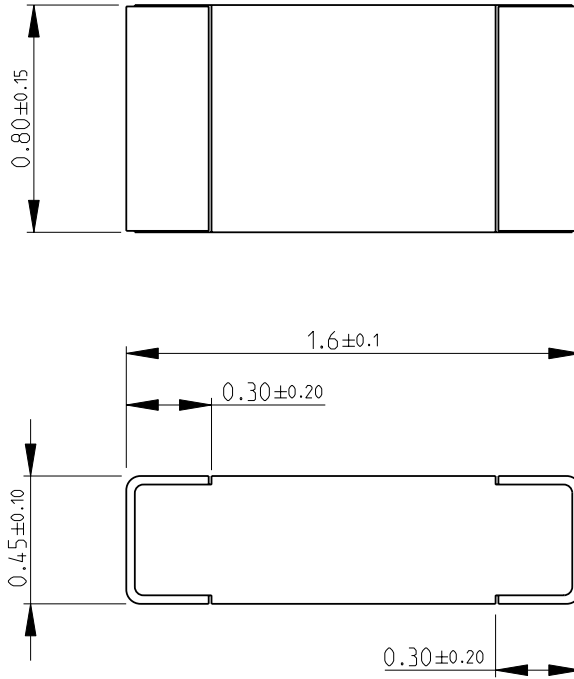
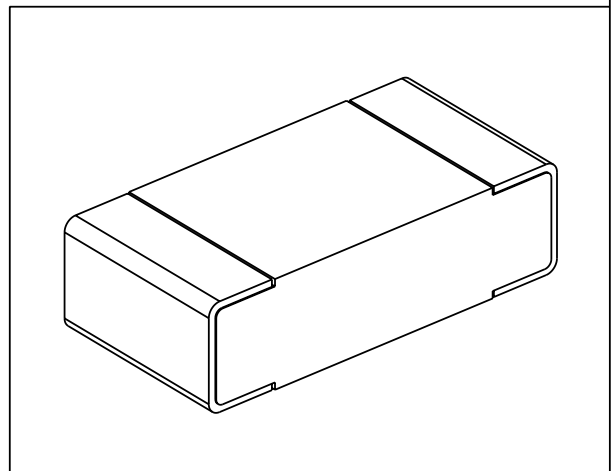


LOC	DIST	REVISIONS				
P	LTR	DESCRIPTION	DATE	DWN	APVD	
E	B	BA	NEW RELEASE	07-NOV-08	SM	St.P

FOR FURTHER INFORMATION SEE DATA SHEET FOR
CRG SERIES-THICK FILM CHIP RESISTORS



RoHS Compliant



2008

RELEASED FOR PUBLICATION

THIS DRAWING IS UNPUBLISHED.

© COPYRIGHT 2008 BY TYCO ELECTRONICS CORPORATION. ALL RIGHTS RESERVED.

DIMENSIONS: mm	DWN	SUBHASH.M	07-NOV-08	MATERIAL	-	FINISH	-
	CHK	PRAKASH.S	07-NOV-08	Tyco Electronics Corporation Dorcan, Swindon, SN3 5HH	THICK FILM CHIP RESISTORS SERIES CRG 0603		
TOLERANCES UNLESS OTHERWISE SPECIFIED:	APVD	STEPHEN.P	07-NOV-08				
0 PLC ±0.5	PRODUCT SPEC	-	-	NAME	THICK FILM CHIP RESISTORS SERIES CRG 0603		
1 PLC ±0.2	APPLICATION SPEC	-	-	SIZE	CAGE CODE	DRAWING NO	RESTRICTED TO
2 PLC ±0.1	-	-	-	A 4	00779	© = 1623055	-
3 PLC ±	WEIGHT	-	-	CUSTOMER DRAWING			SCALE
4 PLC ±	-	-	-	SCALE 40:1			SHEET 1 OF 1
ANGLES ±5°				REV BA			