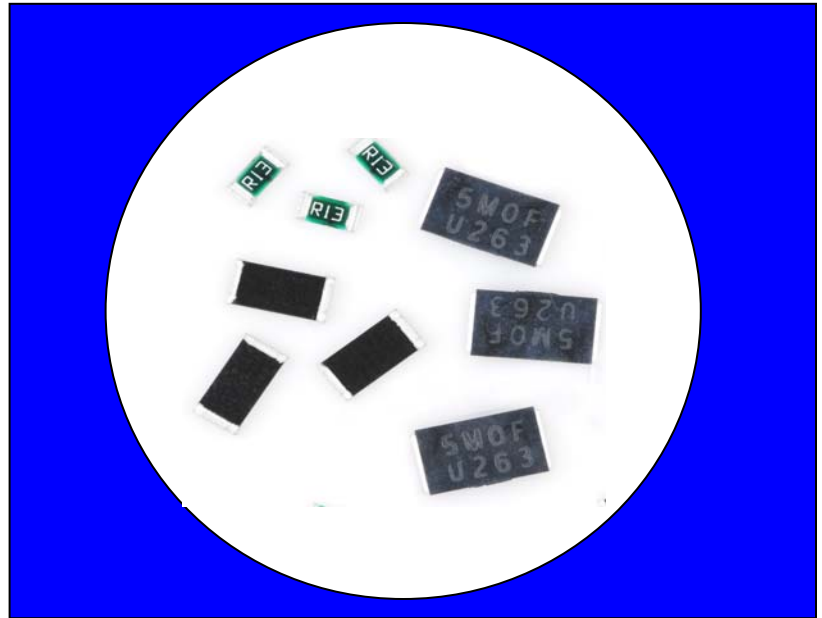


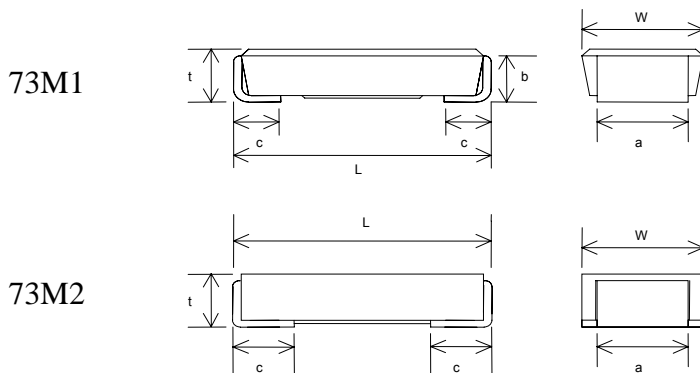
Features

- Very Low Resistance
- Surface Mount Package
- Suitable for Current Limiting, Current Detection, Motor Control, Power Supply and Hard Disk Drives
- High Precision and Excellent Accuracy for Current Detection
- Good Electrical Characteristics
- Suitable for Reflow Solder Process
- Tape and Reel Packaging
- RoHS Compliant



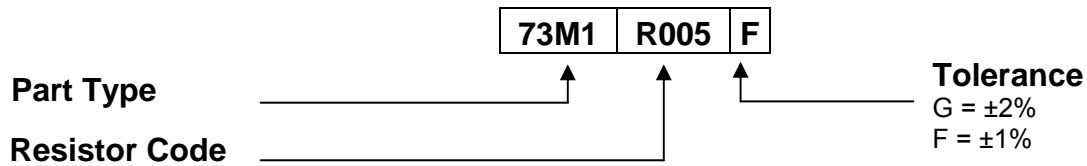
Mechanical and Performance Specifications

Type	Rated Wattage (Watts)	Resistance (Ω)	Tolerance (%)	T.C.R (ppm/ $^{\circ}$ C)	Rated Ambient Temp.	Operating Temp. Range
73M1	1.0	.003 - .009	$\pm 1, \pm 2$	$.003\Omega \leq R < .005\Omega : \pm 300$ $.005\Omega \leq R < .010\Omega : \pm 180$ $.010\Omega \leq R \leq .100\Omega : \pm 100$	70 $^{\circ}$ C	-55 $^{\circ}$ C to 180 $^{\circ}$ C
		.010 - .100	± 1			
73M2	2.0	.005 - .009	$\pm 1, \pm 2$	$R < .010\Omega : \pm 200$ $R \geq .010\Omega : \pm 100$	70 $^{\circ}$ C	-55 $^{\circ}$ C to 180 $^{\circ}$ C
		.010 - .040	± 1			



Dimensions (mm)	L	W	T	a	b	c
73M1	6.2 \pm 0.3	3.1 \pm 0.2	1.0 \pm 0.2	2.5 \pm 0.2	0.8 \pm 0.2	1.2 \pm 0.3
73M2	6.4 \pm 0.3	3.5 \pm 0.2	1.2 Max.	3.2 \pm 0.2	0.8 \pm 0.2	1.0 \pm 0.2

How to Order



Example: 73M1R005F (No dashes or spaces)

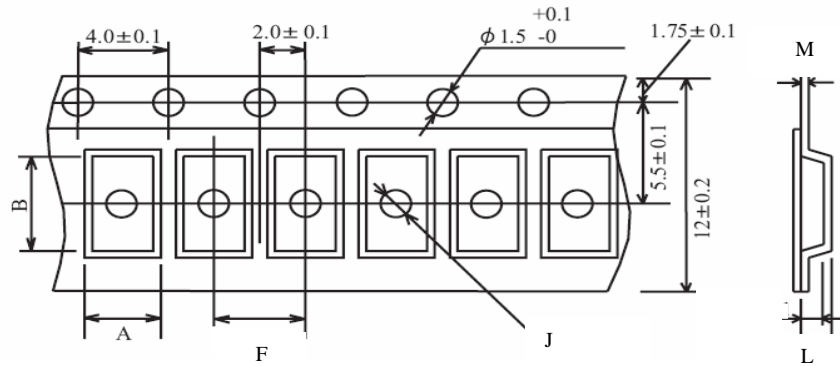
4 Digit Resistor Code
 "R" indicates decimal point

Examples: R005 = 5mΩ
 R100 = 100mΩ

Type	Part Marking
73M1	Resistance (4 digits), tolerance, product type, date of manufacture (two digits: year, month)
73M2	Resistance (3 digits), tolerance, product type & rated wattage, date of manufacture (two digits: year, month)

Packaging

- Embossed tape (mm)**



Type	A	B	F	J	L	M
73M1	3.5 ±0.1	6.6 ±0.1	8.0 ±0.10	1.5 ±0.2	1.3 ±0.1	0.3 ±0.1
73M2	4.0 ±0.1	6.9 ±0.1	8.0 ±0.10	1.5 ^{+0.10} _{-0.0}	1.4 ±0.1	0.3 ±0.1

- Reel**

Type	Qty/Reel	A (mm)
73M1	1,000	15.4 ±1.0
73M2	1,000	15.4 ±1.0

