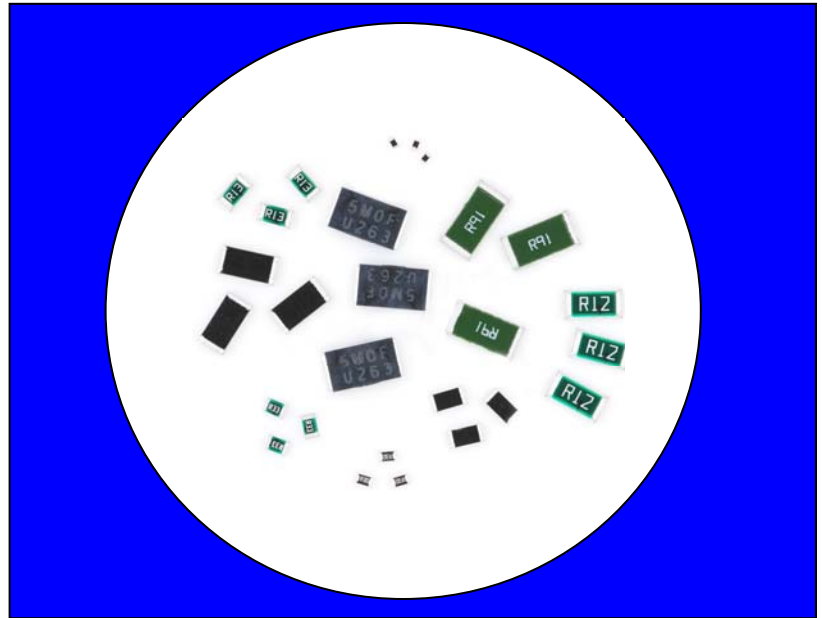
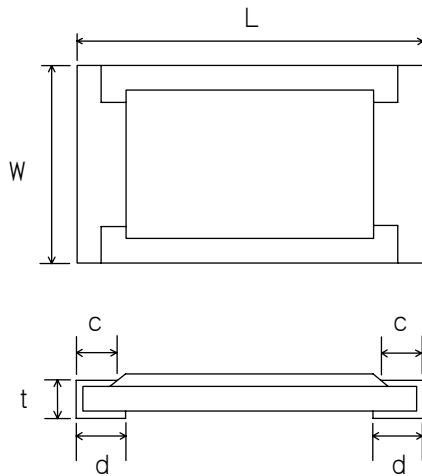


Features

- Thick Film Construction
- Very Low Resistance
- Surface Mount Package
- Suitable for Current Limiting, Current Detection, Motor Control, Power Supply and Hard Disk Drives
- High Precision and Excellent Accuracy for Current Detection
- Good Electrical Characteristics
- Suitable for Reflow Solder Process
- Tape and Reel Packaging
- RoHS Compliant



Mechanical and Performance Specifications



Series	Package Inch (mm)	Dimensions (mm)						
		L		W		c	d	t
73L1	0402 (1005)	1.00± 0.05		0.50± 0.03		0.20± 0.10	0.25± 0.10	0.35± 0.05
73L2	0603 (1608)	1.60± 0.15		0.80	0.20 -0.10	0.25± 0.20	0.25± 0.20	0.50 0.15 -0.05
73L3	0805 (2012)	2.00	0.20 -0.10	1.25	0.20 -0.10	0.40± 0.20	0.40± 0.20	0.50 0.15 -0.05
73L4	1206 (3216)	3.20	0.10 -0.15	1.60	0.10 -0.15	0.50± 0.20	0.50± 0.20	0.55 0.15 -0.05
73L5	1210 (3225)	3.20	0.10 -0.15	2.60	0.10 -0.15	0.50± 0.20	0.50± 0.20	0.55 0.15 -0.05
73L6	(2010) (5025)	5.00± 0.15		2.50± 0.15		0.60± 0.20	0.60± 0.25	0.56± 0.15
73L7	(2512) (6432)	6.30± 0.15		3.20± 0.15		0.60± 0.25	0.60± 0.25	0.56± 0.15
73E4	1206 (3216)	3.20± 0.10		1.60± 0.10		0.40± 0.20	0.50± 0.20	0.55± 0.10
73E6	2010 (5024)	5.00± 0.15		2.50± 0.15		0.25± 0.10	0.60± 0.25	0.55± 0.15

Mechanical and Performance Specifications (cont.)

Type	Pkg Code Inch (mm)	Rated Wattage (Watts)	Tolerance (%)		Resistance E-24 (Ω)	T.C.R (ppm/ $^{\circ}$ C)	Operating Temp. Range
73L1	0402 (1005)	0.100	G	± 2	0.20-0.91	± 300	-55 $^{\circ}$ C to 125 $^{\circ}$ C
			J	± 5			
73L2	0603 (1608)	0.100	G	± 2	0.20-0.91	± 300	-55 $^{\circ}$ C to 125 $^{\circ}$ C
			J	± 5			
73L3	0805 (2012)	0.125	F	± 1	0.20-0.91	± 200	-55 $^{\circ}$ C to 125 $^{\circ}$ C
			G	± 2	0.10-0.91		
			J	± 5			
73L4	1206 (3216)	0.250	F	± 1	0.20-0.91	± 100	-55 $^{\circ}$ C to 125 $^{\circ}$ C
			G	± 2	0.10-0.91	± 200	
			J	± 5			
73L5	1210 (3225)	0.500	F	± 1	0.20-0.91	± 100	-55 $^{\circ}$ C to 125 $^{\circ}$ C
			G	± 2	0.10-0.91	± 200	
			J	± 5			
73L6	2010 (5025)	0.750	F	± 1	0.20-0.91	± 100	-55 $^{\circ}$ C to 125 $^{\circ}$ C
			G	± 2	0.10-0.91	± 200	
			J	± 5			
73L7	2512 (6432)	1.000	F	± 1	0.20-0.91	± 200	-55 $^{\circ}$ C to 125 $^{\circ}$ C
			G	± 2	0.10-0.91	± 200	
			J	± 5			
Type	Pkg Code Inch (mm)	Rated Wattage (Watts)	Tolerance (%)		Resistance E-6 (Ω)	T.C.R (ppm/ $^{\circ}$ C)	Operating Temp. Range
73E4	1206 (3216)	0.500	F	± 1	0.050-0.091	± 100	-55 $^{\circ}$ C to 125 $^{\circ}$ C
			G	± 2			
			J	± 5			
73E6	2010 (5024)	1.000	F	± 1	0.050-0.091	± 100	-55 $^{\circ}$ C to 125 $^{\circ}$ C
			G	± 2			
			J	± 5			

Standard Resistance Values

Sequence E-24 (Ω)								
73Lx	0.10	0.11	0.12	0.13	0.15	0.16	0.18	0.20
	0.22	0.24	0.27	0.30	0.33	0.36	0.39	0.43
	0.47	0.51	0.56	0.62	0.68	0.75	0.82	0.91

Sequence E-6 (Ω)							
73Ex	0.050	0.056	0.062	0.068	0.075	0.086	0.091

How to Order

Type

See Pages 1 & 2

Resistor Code

73L4	R10	J
------	-----	---

Tolerance

J = ±5%
G = ±2%
F = ±1%

Example: 73L4R10J (No dashes or spaces)

3 or 4 Digit Resistor Code

Type "73L" uses 3-digit code

Type "73E" uses 4-digit code

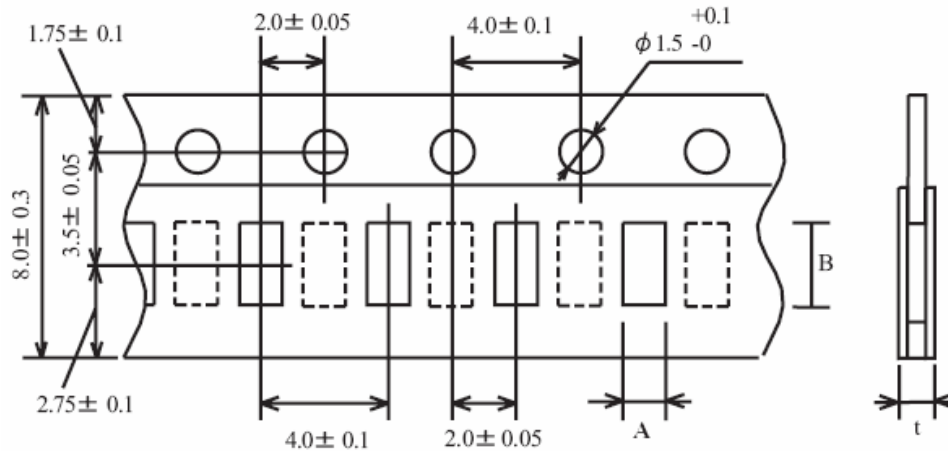
"R" indicates decimal point

Examples: R47 = 0.47 ohms
R020 = 0.020 ohms

Type	Part Marking
73L1	None
73L2	"R" is the decimal point 3 digits (E24): first two numbers are effective numbers in ohms (Ω). Example: "R20" = 0.20Ω
73L3	
73L4	
73L5	
73L6	
73L7	
73E4	
73E6	None

Tape & Reel Information

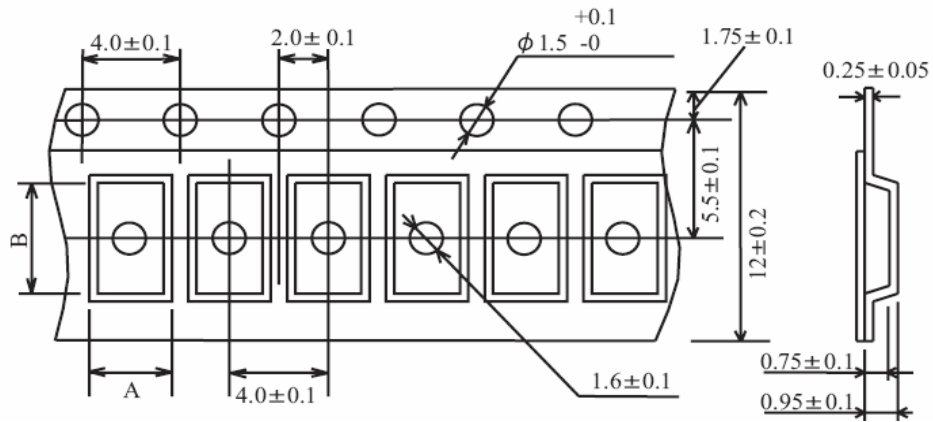
- **Paper Tape (mm)** (For type 73L1 – 73L5 and 73E4)



Type	A	B	t
73L1	0.70 ±0.08	1.20 ±0.08	0.50 ±0.10
73L2	1.10 ±0.20	1.90 ±0.20	0.70 ±0.10
73L3	1.65 ±0.20	2.40 ±0.20	0.80 ±0.20
73L4 & 73E4	2.00 +1.10 -0.15	3.75 +0.10 -0.15	0.80 ±0.20
73L5	2.90 ±0.10	3.60 ±0.10	0.80 ±0.20

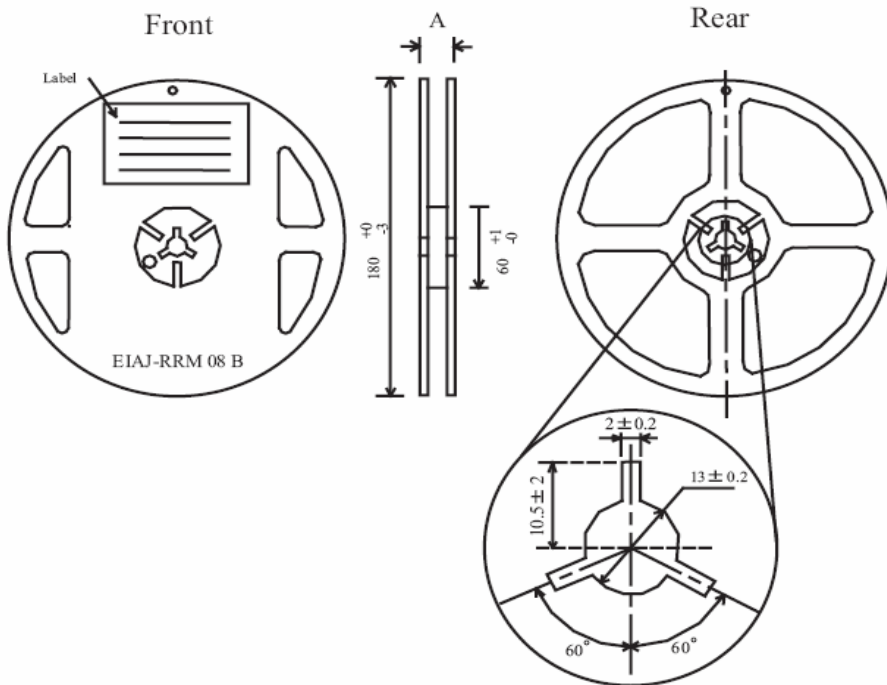
Tape & Reel Information (cont.)

- **Embossed tape (mm)** (For type 73L6, 73L7 and 73E6)



Type	A	B
73L6 & 73E6	2.90 ±0.10	5.30 ±0.10
73L7	3.40 ±0.10	6.60 ±0.10

- **Reel** (For all types)



Type	Size code	Qty/Reel	A (mm)
73L1	0405 (1005)	10,000	11.5 ±1.1
73L2	0603 (1608)	5,000	11.5 ±1.1
73L3	0805 (2012)	5,000	11.5 ±1.1
73L4	1206 (3216)	5,000	11.5 ±1.1
73E4	1206 (3216)	5,000	11.5 ±1.1
73L5	1210 (3225)	5,000	11.5 ±1.1
73L6 & 73E6	2010 (5025)	4,000	15.4 ±1.0
73L7	2512 (6432)	4,000	15.4 ±1.0