



### Features

- DC to 3 GHz
- Terminals for placement on P.C.B.
- Low VSWR
- Aluminum Nitride ceramic

### Applications

- RF amplifiers
- Attenuators
- Antenna feeds

## CHF3725CNP Series 40 W SMT Power RF Chip Termination

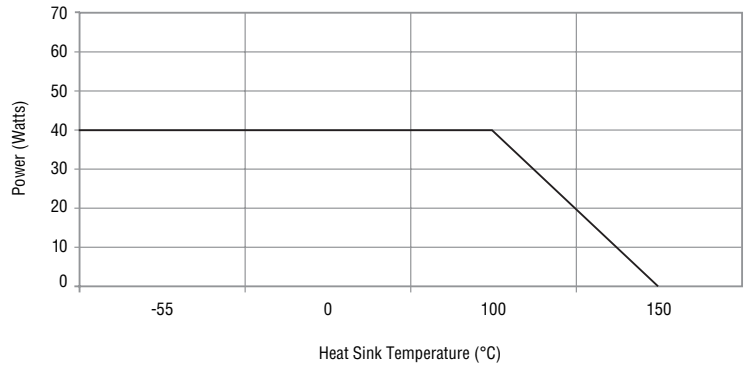
### General Specifications

Substrate ..... ALN  
 Resistive Film ..... Thick Film  
 Resistance ..... 50 W  
 Tolerance ..... ±5 %  
 Packaging  
 Tape & Reel  
 ..... 3000 pcs./24 mm tape, 15 " reel  
 Bulk ..... 100 pcs./bag

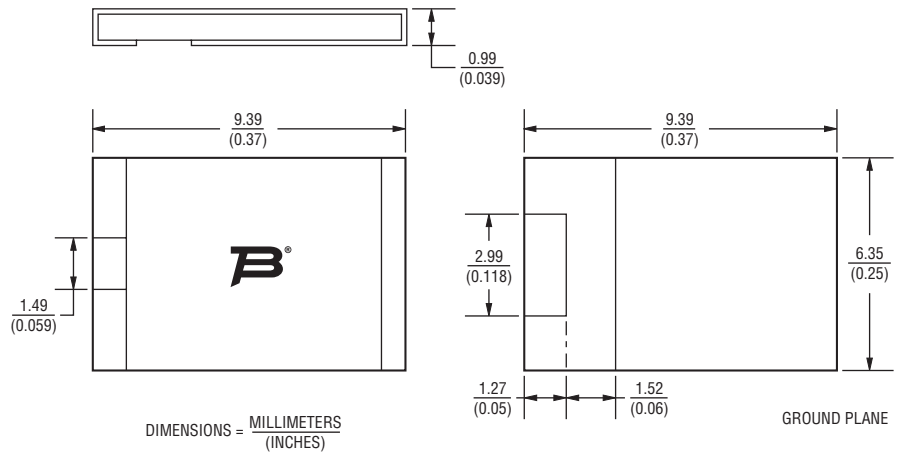
### Absolute Ratings

Power ..... 40 W  
 Frequency ..... 3 GHz  
 VSWR ..... 1.25 Maximum

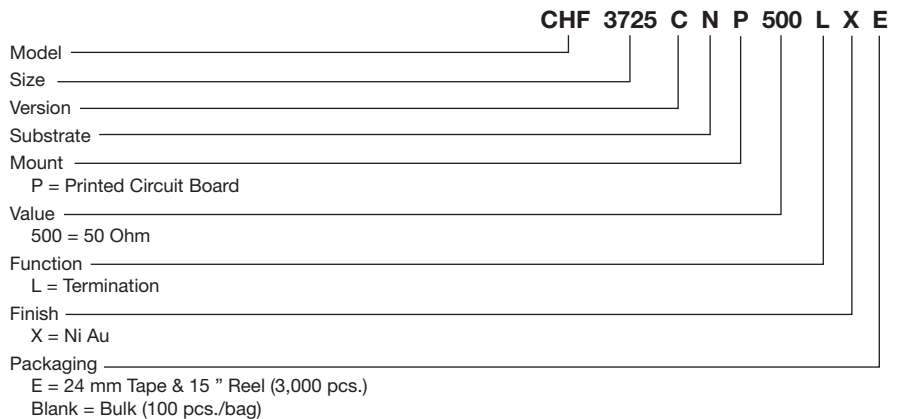
### Characteristic Curve



### Product Dimensions



### How To Order



**Asia-Pacific:**  
 Tel: +886-2 2562-4117  
 Fax: +886-2 2562-4116

**Europe:**  
 Tel: +41-41 768 5555  
 Fax: +41-41 768 5510

**The Americas:**  
 Tel: +1-951 781-5500  
 Fax: +1-951 781-5700

[www.bourns.com](http://www.bourns.com)

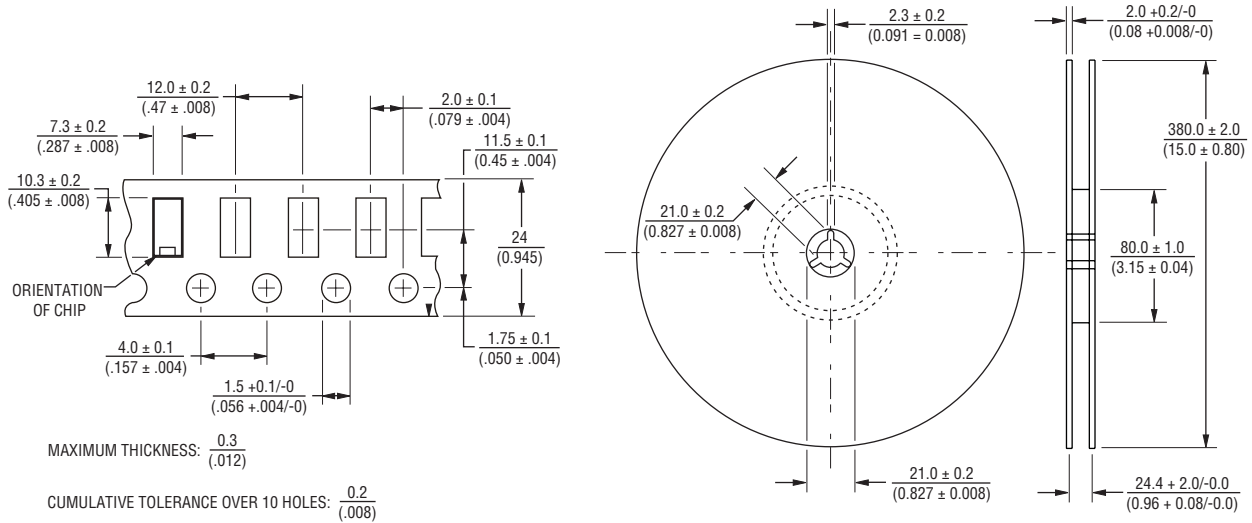
\*RoHS Directive 2002/95/EC Jan 27 2003 including Annex.  
 Specifications are subject to change without notice.

Customers should verify actual device performance in their specific applications

# CHF3725CNP Series 40 W SMT Power RF Chip Termination

**BOURNS®**

## Packaging Dimensions



DIMENSIONS:  $\frac{\text{MM}}{\text{(INCHES)}}$

REV. 03/09

Specifications are subject to change without notice.  
Customers should verify actual device performance in their specific applications