

SMD Choke Coils

Singapore

Series: **M**

Type: **ELL3GM**



Type ELL3GM

■ Features

- Magnetic shielded structure
- Low DC resistance and large current capability
- Shock resistant
- Available on tape and reel for automatic insertion

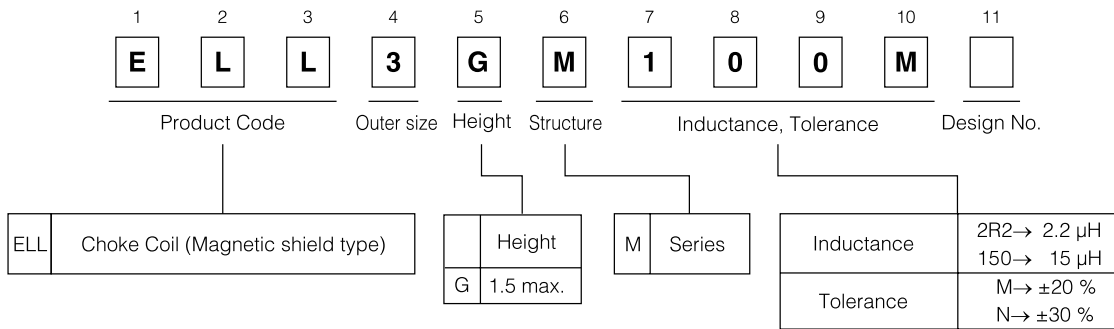
■ Recommended Applications

- DC/DC converter circuitry for computer peripherals and cellular hand sets.
- Chopper circuit decoupling chokes in DC/DC converter circuitry.

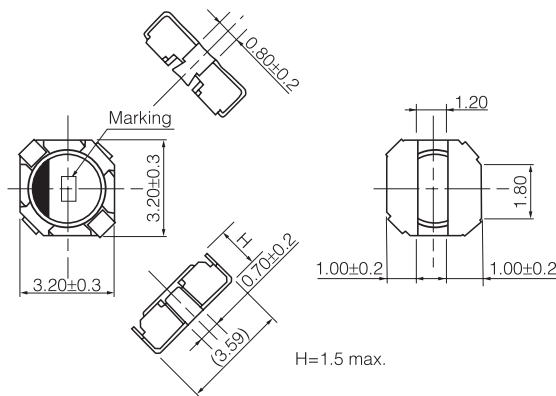
■ Standard Packing Quantity

- 2000 pcs./Reel

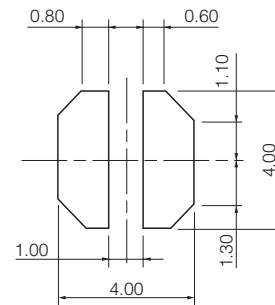
■ Explanation of Part Numbers



■ Dimensions in mm (not to scale)



■ Recommended land patterns in mm (not to scale)



Design and specifications are each subject to change without notice. Ask factory for the current technical specifications before purchase and/or use. Should a safety concern arise regarding this product, please be sure to contact us immediately.

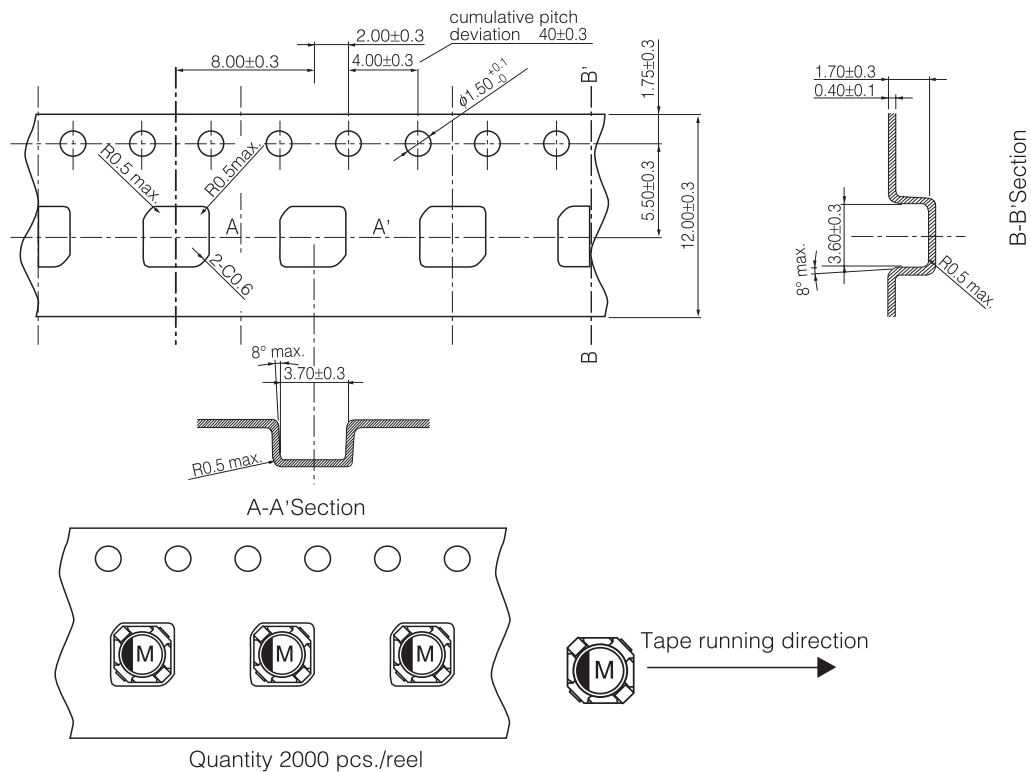
NEW

■ Standard Parts

| Part Number | Inductance (100kHz) | | R _{bc} (at 20 °C) | | *Rated Current (mA max.) | Marking |
|-------------|------------------------|------|-------------------------------|------|-----------------------------|---------|
| | (μH) | Tol. | (mΩ) | Tol. | | |
| ELL3GM2R2N | 2.2 | ±30% | 100 | ±20% | 1100 | C |
| ELL3GM2R7N | 2.7 | | 110 | | D | |
| ELL3GM3R3N | 3.3 | | 130 | | E | |
| ELL3GM3R9N | 3.9 | | 140 | | F | |
| ELL3GM4R3N | 4.3 | | 220 | | H | |
| ELL3GM5R1N | 5.1 | | 240 | | I | |
| ELL3GM5R6N | 5.6 | | 260 | | J | |
| ELL3GM6R8N | 6.8 | | 280 | | K | |
| ELL3GM8R2N | 8.2 | | 310 | | L | |
| ELL3GM100M | 10.0 | | ±20% | | 350 | |
| ELL3GM120M | 12.0 | 400 | | N | | |
| ELL3GM150M | 15.0 | 560 | | O | | |
| ELL3GM180M | 18.0 | 640 | | P | | |
| ELL3GM220M | 22.0 | 770 | | R | | |
| ELL3GM270M | 27.0 | 1050 | | S | | |
| ELL3GM330M | 33.0 | 1200 | | T | | |

* Current: This indicates the value of current when the inductance is 70% of nominal value or when case temperature has risen 45 °C (at 20 °C)

■ Embossed Carrier Tape Dimensions in mm (not to scale)



Design and specifications are each subject to change without notice. Ask factory for the current technical specifications before purchase and/or use. Should a safety concern arise regarding this product, please be sure to contact us immediately.