

Low power voltage regulator

Features

- Operating DC supply voltage range 5.6V to 31V
- Very low quiescent current with watchdog disabled
- Precision output voltage (3%)
- Low drop voltage (180mV typ at $I_o=150\text{mA}$)
- Reset circuit sensing the output voltage down to 1V
- Programmable reset delay with external capacitor
- Watchdog disable input
- Programmable watchdog timer with external capacitor
- Thermal shutdown and short circuit protection
- Wide temperature range ($T_j = -40^\circ\text{C}$ to 150°C)

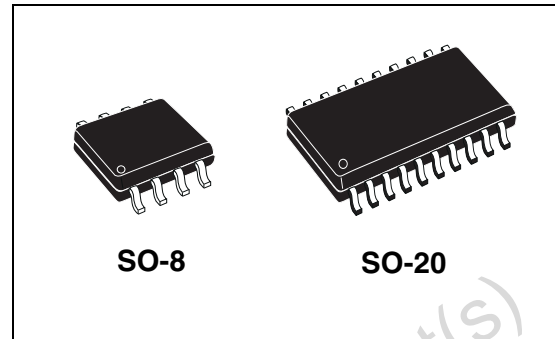


Table 1. Device summary

Package	Order codes	
	Tube	Tape & reel
SO-8	L4989D	L4989D013TR
SO-20	L4989MD	L4989MD013TR

Contents

1	Block diagram and pin configuration	5
2	Electrical specifications	7
2.1	Absolute maximum ratings	7
2.2	Thermal data	7
2.3	Electrical characteristics	8
3	Application information	11
3.1	Voltage regulator	11
3.2	Reset	11
3.3	Watchdog	12
4	Package and packing information	13
4.1	ECOPACK [®] packages	13
4.2	SO-8 package information	13
4.3	SO-20 package information	15
4.4	SO-8 packing information	16
4.5	SO-20 packing information	17
5	Revision history	18

List of tables

Table 1.	Device summary	1
Table 2.	Pins description	6
Table 3.	Absolute maximum ratings	7
Table 4.	Thermal data	7
Table 5.	General	8
Table 6.	Reset	9
Table 7.	Watchdog	9
Table 8.	Watchdog Enable	10
Table 9.	SO-8 mechanical data	14
Table 10.	SO-20 mechanical data	15
Table 11.	Document revision history	18

Obsolete Product(s) - Obsolete Product(s)

List of figures

Figure 1.	Block diagram	5
Figure 2.	Pins configuration	6
Figure 3.	Behavior of output current versus regulated voltage V_o	11
Figure 4.	Reset timing diagram	12
Figure 5.	Watchdog timing diagram	12
Figure 6.	SO-8 package dimensions	13
Figure 7.	SO-20 package dimensions	15
Figure 8.	SO-8 tube shipment (no suffix)	16
Figure 9.	SO-8 tape and reel shipment (suffix "TR")	16
Figure 10.	SO-20 tube shipment (no suffix)	17
Figure 11.	SO-20 tape and reel shipment (suffix "TR")	17

Obsolete Product(s) - Obsolete Product(s)

1 Block diagram and pin configuration

Figure 1. Block diagram

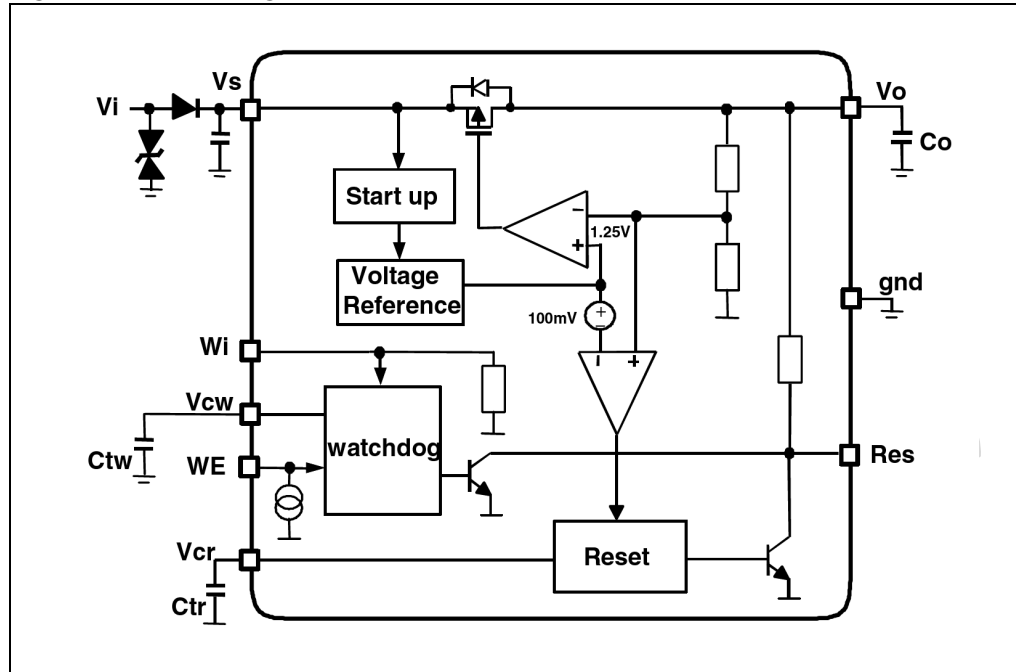
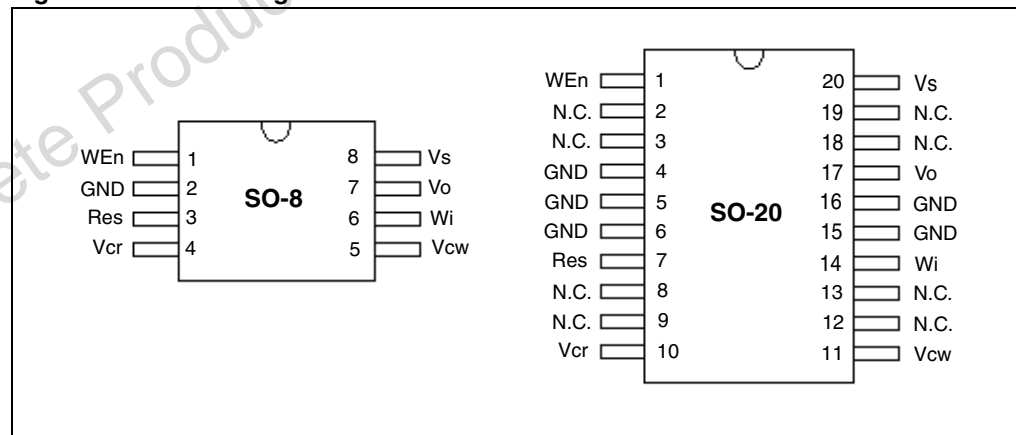


Table 2. Pins description

Pin name	SO-8(D)	SO-20(MD)	Function
WEn	1	1	Watchdog Enable input If high watchdog functionality is active
Gnd	2	4	Ground reference
Gnd		5, 6, 15, 16	Ground. Connected these pins to a heat spreader ground
Res	3	7	Reset output. It is pulled down when output voltage goes below V_{o_th} or frequency at W_i is too low.
Vcr	4	10	Reset timing adjust. A capacitor between Vcr pin and gnd, sets the reset delay time (trd)
Vcw	5	11	Watchdog timer adjust A capacitor between Vcw pin and gnd, sets the time response of the watchdog monitor.
Wi	6	14	Watchdog input. If the frequency at this input pin is too low, the Reset output is activated.
Vo	7	17	Voltage regulator output Block to ground with a capacitor >100nF (needed for regulator stability)
Vs	8	20	Supply voltage Block to ground directly at IC pin with a capacitor
N.C.		2, 3, 8, 9, 12, 13, 18, 19	Not connected

Figure 2. Pins configuration

2 Electrical specifications

2.1 Absolute maximum ratings

Table 3. Absolute maximum ratings

Symbol	Parameter	Value	Unit
V_{VSDC}	DC supply voltage	-0.3 to 40	V
I_{VSDC}	Input current	Internally limited	
V_{VO}	DC output voltage	-0.3 to 6	V
I_{VO}	DC output current	Internally limited	
V_{Wi}	Watchdog input voltage	-0.3 to $V_{VO} + 0.3$	V
V_{od}	Open Drain output voltage	-0.3 to $V_{VO} + 0.3$	V
I_{od}	Open Drain output current	Internally limited	
V_{cr}	Reset delay voltage	-0.3 to $V_{VO} + 0.3$	V
V_{cw}	Watchdog delay voltage	-0.3 to $V_{VO} + 0.3$	V
V_{WEn}	Watchdog Enable input voltage	-0.3 to 40	V
T_j	Junction temperature	-40 to 150	°C
V_{ESD}	ESD voltage level (HBM-MIL STD 883C)	±2	kV

Note: Maximum ratings are absolute ratings; exceeding any one of these values may cause permanent damage to the integrated circuit.

2.2 Thermal data

Table 4. Thermal data

Symbol	Parameter	S0-8	S0-12+4+4	Unit
$R_{th-jamb}$	Thermal resistance junction to ambient	130 to 180	50 ⁽¹⁾	°C/W

1. With 6 sq. cm on board heat sink.

2.3 Electrical characteristics

$V_s = 5.6V$ to $31V$, $T_j = -40^\circ C$ to $+150^\circ C$ unless otherwise specified.

Table 5. General

Pin	Symbol	Parameter	Test condition	Min.	Typ.	Max.	Unit
Vo	V_{o_ref}	Output voltage	$V_s = 5.6$ to $31V$ $I_o = 1$ to 150 mA	4.85	5.0	5.15	V
Vo	I_{short_13}	Short circuit current	$V_s = 13.5V^{(1)}$	160	210	250	mA
Vo	I_{lim}	Output current limitation	$V_s = 13.5V^{(1)}$	170	250	290	mA
V_s, V_o	V_{line}	Line regulation voltage	$V_s = 5.6$ to $31V$ $I_o = 1$ to $150mA$			25	mV
Vo	V_{load}	Load regulation voltage	$I_o = 1$ to $150mA$			25	mV
V_s, V_o	V_{dp}	Drop voltage	$I_o = 150mA$		180	400	mV
V_s, V_o	SVR	Ripple rejection	$f_r = 100$ Hz	55			dB
V_s, V_o	I_{qs_1}	Current consumption with watchdog not active $I_{qs_1} = I_{VS} - I_O$	$V_s = 13.5V$, $I_o < 1mA$, WEn = low		69	115	μA
V_s, V_o	I_{qs_10}	Current consumption with watchdog not active $I_{qs_10} = I_{VS} - I_O$	$V_s = 13.5V$, $I_o = 10mA$, WEn = low		127	300	μA
V_s, V_o	I_{qs_50}	Current consumption with watchdog not active $I_{qs_50} = I_{VS} - I_O$	$V_s = 13.5V$, $I_o = 50mA$, WEn = low		498	900	μA
V_s, V_o	I_{qs_150}	Current consumption with watchdog not active $I_{qs_150} = I_{VS} - I_O$	$V_s = 13.5V$, $I_o = 150mA$, WEn = low		1.40	2	mA
V_s, V_o	I_{qn_1}	Current consumption with watchdog active $I_{qn_1} = I_{VS} - I_O$	$V_s = 13.5V$, $I_o < 1mA$, WEn = high		110	170	μA
V_s, V_o	I_{qn_10}	Current consumption with watchdog active $I_{qn_10} = I_{VS} - I_O$	$V_s = 13.5V$, $I_o = 10mA$, WEn = high		168	350	μA
V_s, V_o	I_{qn_50}	Current consumption with watchdog active $I_{qn_50} = I_{VS} - I_O$	$V_s = 13.5V$, $I_o = 50mA$, WEn = high		538	1000	μA
V_s, V_o	I_{qn_150}	Current consumption with watchdog active $I_{qn_150} = I_{VS} - I_O$	$V_s = 13.5V$, $I_o = 150mA$, WEn = high		1.45	2	mA
	T_w	Thermal protection temperature		150		190	$^\circ C$
	T_w_hy	Thermal protection temperature hysteresis			10		$^\circ C$

1. See [Figure 3](#).

Table 6. Reset

Pin	Symbol	Parameter	Test condition	Min.	Typ.	Max.	Unit
Res	Vres_l	Reset output low voltage	$R_{ext} = 5k\Omega$ to V_o , $V_o > 1V$			0.4	V
Res	I _{Res_lkg}	Reset output high leakage current	$V_{Res} = 5V$			1	μA
Res	R _{Res}	Pull up internal resistance	Versus V_o	10	20	40	k Ω
Res	V _{o_th}	Reset threshold voltage	$V_s = 5.6$ to $31V$, $I_o = 1$ to $150mA$	6%	8%	10%	Below V_{o_ref}
Vcr	Vr _{lth}	Reset timing low threshold	$V_s = 13.5V$	10%	13%	16%	V_{o_ref}
Vcr	Vr _{hth}	Reset timing high threshold	$V_s = 13.5V$	44%	47%	50%	V_{o_ref}
Vcr	I _{cr}	Charge current	$V_s = 13.5V$	8	15	30	μA
Vcr	I _{dr}	Discharge current	$V_s = 13.5V$	8	15	30	μA
Res	T _{rr_2}	Reset reaction time ⁽¹⁾	$V_o = V_{o_th} - 100mV$	100	250	700	μs
Res	Trd	Reset delay time	$V_s = 13.5V$, $C_{tr} = 1nF$	65	115	165	ms

1. When V_o becomes lower than 4V, the reset reaction time decreases down to 2 μs assuring a faster reset condition in this particular case.

Table 7. Watchdog

Pin	Symbol	Parameter	Test condition	Min.	Typ.	Max.	Unit
Wi	V _{ih}	Input high voltage	$V_s = 13.5V$	3.5			V
Wi	V _{il}	Input low voltage	$V_s = 13.5V$			1.5	V
Wi	V _{ih}	Input hysteresis	$V_s = 13.5V$		500		mV
Wi	R _{wi}	Pull down resistor	$V_s = 13.5V$	30	100	250	K Ω
Vcw	V _{wth}	High threshold	$V_s = 13.5V$	44%	47%	50%	V_{o_ref}
Vcw	V _{wth}	Low threshold	$V_s = 13.5V$	10%	13%	16%	V_{o_ref}
Vcw	I _{cwc}	Charge current	$V_s = 13.5V$, $V_{cw} = 0.1V$	5	10	20	μA
Vcw	I _{cwd}	Discharge current	$V_s = 13.5V$, $V_{cw} = 2.5V$	1.25	2.5	5	μA
Vcw	T _{wop}	Watchdog period	$V_s = 13.5V$, $C_{tw} = 47nF$	20	40	80	ms
Res	twol	Watchdog output low time	$V_s = 13.5V$, $C_{tw} = 47nF$	4	8	16	ms

Table 8. Watchdog Enable

Pin	Symbol	Parameter	Test condition	Min.	Typ.	Max.	Unit
WEn	V _{WEn_l}	Enable input low voltage				1	V
WEn	V _{WEn_h}	Enable input high voltage		3			V
WEn	V _{WEn_hy}	Enable input hysteresis		600	920	1300	mV
WEn	I _{leak}	Pull down current	V _s = 13.5V	1	2.5	5	μA

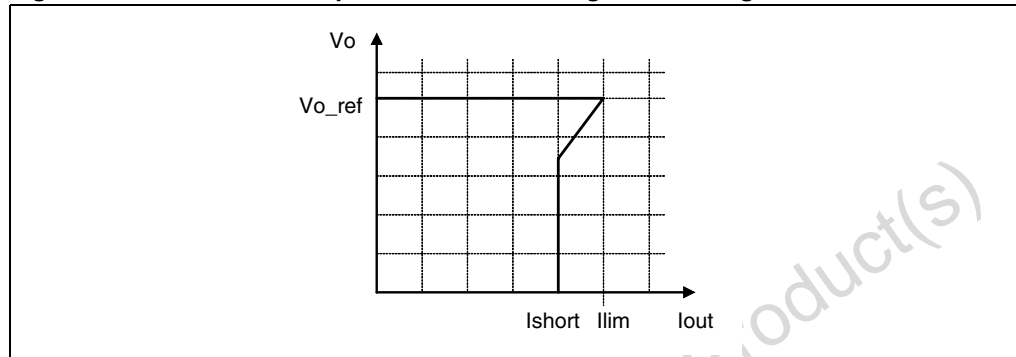
Obsolete Product(s) - Obsolete Product(s)

3 Application information

3.1 Voltage regulator

The voltage regulator uses a p-channel MOS transistor as a regulating element. With this structure a very low dropout voltage at current up to 150mA is obtained. The output voltage is regulated up to transient input supply voltage of 40V. No functional interruption due to over-voltage pulses is generated. The voltage Regulator is always active and not depending on the state of WEn input pin. A short circuit protection to GND is provided.

Figure 3. Behavior of output current versus regulated voltage Vo



3.2 Reset

The reset circuit supervises the output voltage V_o . The V_{o_th} reset threshold is defined with the in-ternal reference voltage and a resistor output divider. If the output voltage becomes lower than V_{o_th} then Res goes low with a reaction time t_{rr} . The reset low signal is guaranteed for an output voltage V_o greater than 1V.

When the output voltage becomes higher than V_{o_th} then Res goes high with a delay t_{rd} . This delay is obtained by an internal oscillator.

The oscillator period is given by:

$$T_{osc} = [(V_{rhth} - V_{rlth}) \times C_{tr}] / I_{cr} + [(V_{rhth} - V_{rlth}) \times C_{tr}] / I_{dr}$$

where:

I_{cr} : is an internally generated charge current

I_{dr} : is an internally generated discharge current

V_{rhth} , V_{rlth} : are two voltages defined with the output voltage and a resistor output divider

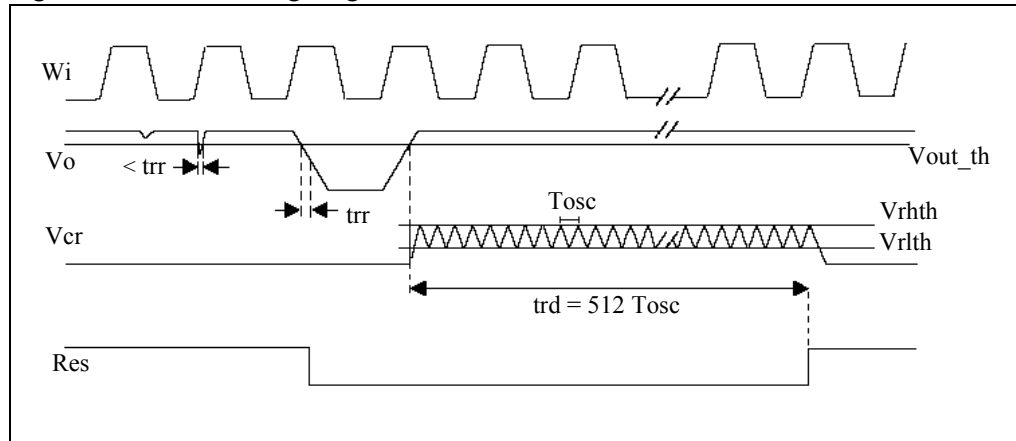
C_{tr} : is an external capacitance.

t_{rd} is given by:

$$t_{rd} = 512 \times T_{osc}$$

The Reset is always active and not depending on the state of WEn input pin.

Figure 4. Reset timing diagram



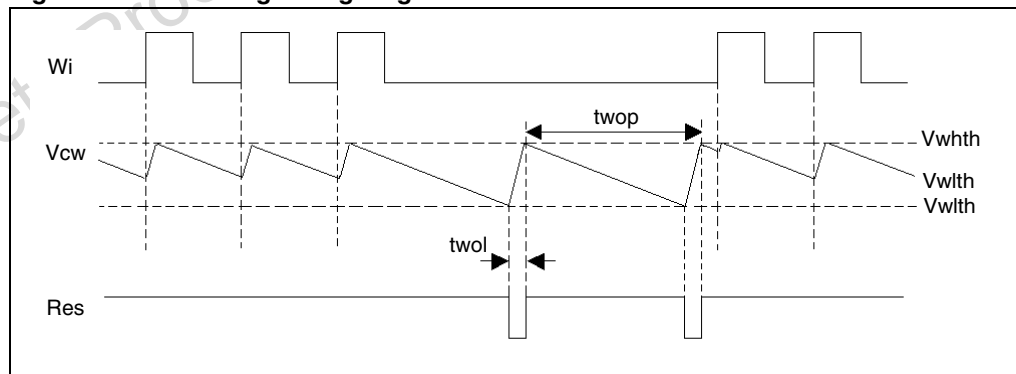
3.3 Watchdog

A connected microcontroller is monitored by the watchdog input W_i . If pulses are missing, the Reset output pin is set to low. The pulse sequence time can be set within a wide range with the external capacitor, C_{tw} . The watchdog circuit discharges the capacitor C_{tw} , with the constant current I_{cwd} . If the lower threshold V_{wlth} is reached, a watchdog reset is generated. To prevent this the microcontroller must generate a positive edge during the discharge of the capacitor before the voltage has reached the threshold V_{wlth} . In order to calculate the minimum time t , during which the micro-controller must output the positive edge, the following equation can be used:

$$(V_{whth} - V_{wlth}) \times C_{tw} = I_{cwd} \times t$$

Every W_i positive edge switches the current source from discharging to charging. The same happens when the lower threshold is reached. When the voltage reaches the upper threshold, V_{whth} , the current switches from charging to discharging. The result is a saw-tooth voltage at the watchdog timer capacitor C_{tw} .

Figure 5. Watchdog timing diagram



4 Package and packing information

4.1 ECOPACK[®] packages

In order to meet environmental requirements, ST offers these devices in ECOPACK[®] packages. These packages have a Lead-free second-level interconnect. The category of Second-Level Interconnect is marked on the package and on the inner box label, in compliance with JEDEC Standard JESD97. The maximum ratings related to soldering conditions are also marked on the inner box label.

ECOPACK is an ST trademark. ECOPACK specifications are available at: www.st.com.

4.2 SO-8 package information

Figure 6. SO-8 package dimensions

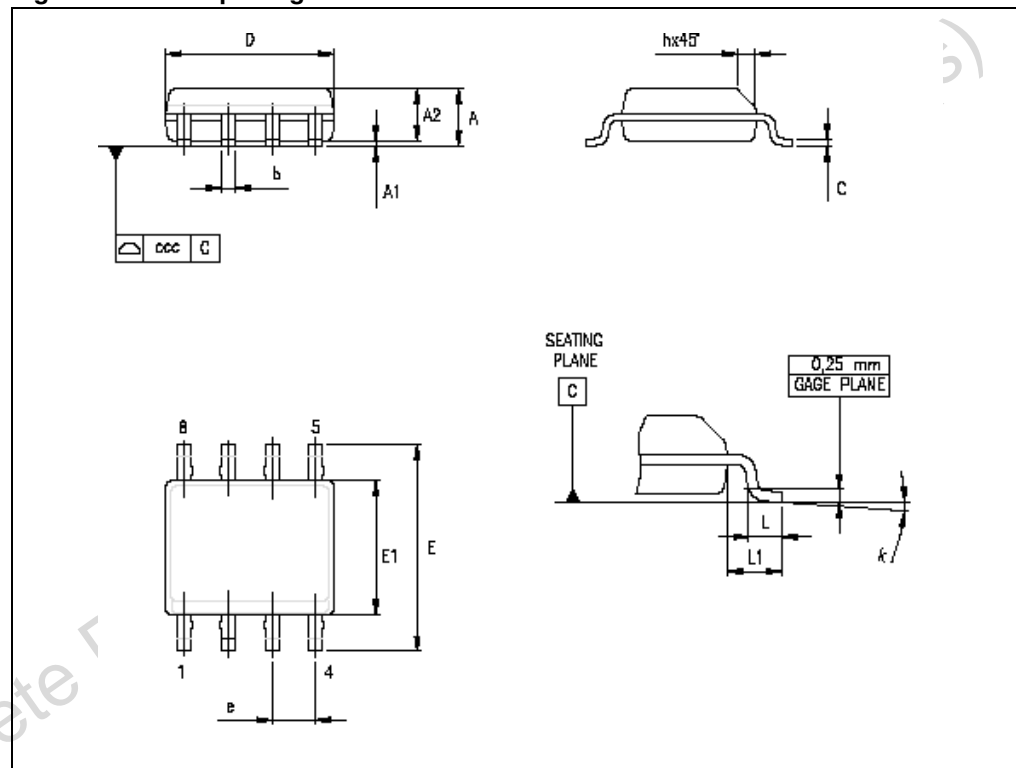


Table 9. SO-8 mechanical data

Symbol	Millimeters		
	Min.	Typ.	Max.
A			1.75
A1	0.10		0.25
A2	1.25		
b	0.28		0.48
c	0.17		0.23
D ⁽¹⁾	4.80	4.90	5.00
E	5.80	6.00	6.20
E1 ⁽²⁾	3.80	3.90	4.00
e		1.27	
h	0.25		0.50
L	0.40		1.27
L1		1.04	
k	0°		8°
ccc			0.10

1. Dimensions D does not include mold flash, protrusions or gate burrs. Mold flash, protrusions or gate burrs shall not exceed 0.15mm in total (both side).
2. Dimension "E1" does not include interlead flash or protrusions. Interlead flash or protrusions shall not exceed 0.25mm per side.

4.3 SO-20 package information

Figure 7. SO-20 package dimensions

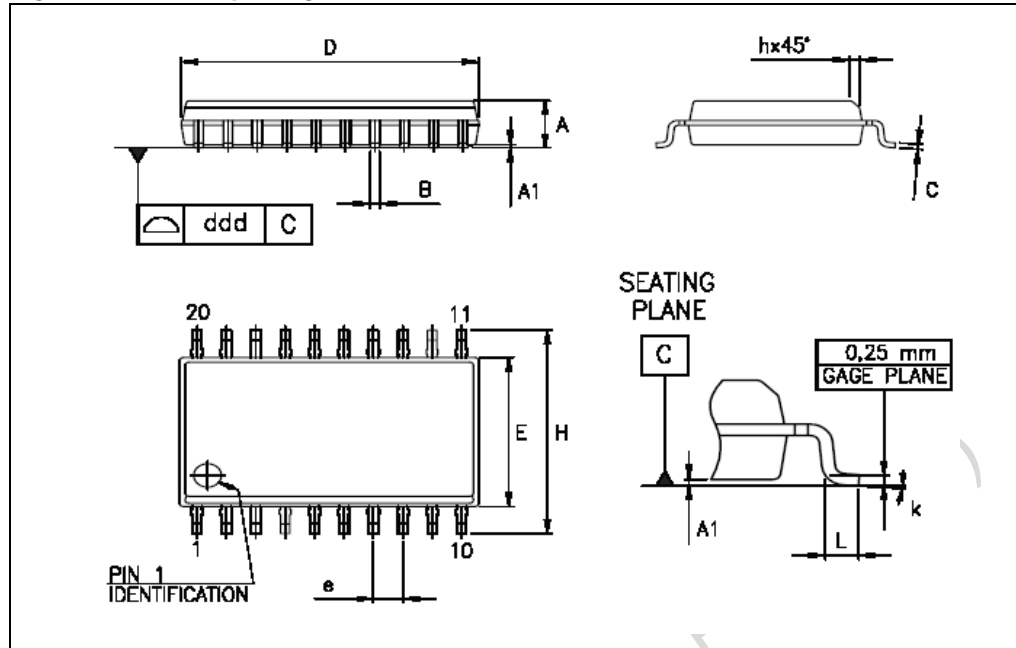


Table 10. SO-20 mechanical data

Symbol	Millimeters		
	Min.	Typ.	Max.
A	2.35		2.65
A1	0.10		0.30
B	0.33		0.51
C	0.23		0.32
D ⁽¹⁾	12.60		13.00
E	7.40		7.60
e		1.27	
H	10.0		10.65
h	0.25		0.75
L	0.40		1.27
k	0°		8°
ddd			0.10

1. "D" dimension does not include mold flash, protusions or gate burrs. Mold flash, protusions or gate burrs shall not exceed 0.15mm per side.

4.4 SO-8 packing information

Figure 8. SO-8 tube shipment (no suffix)

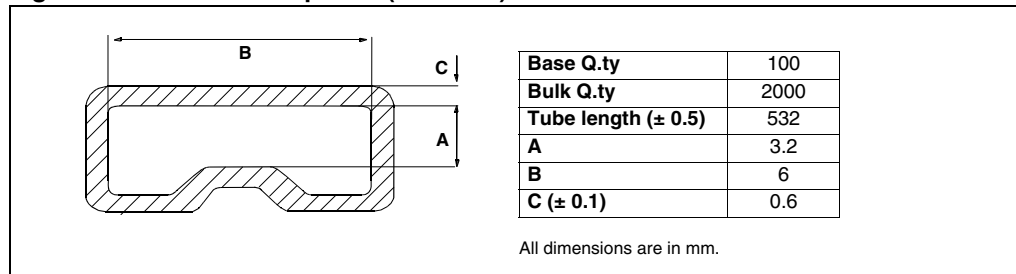
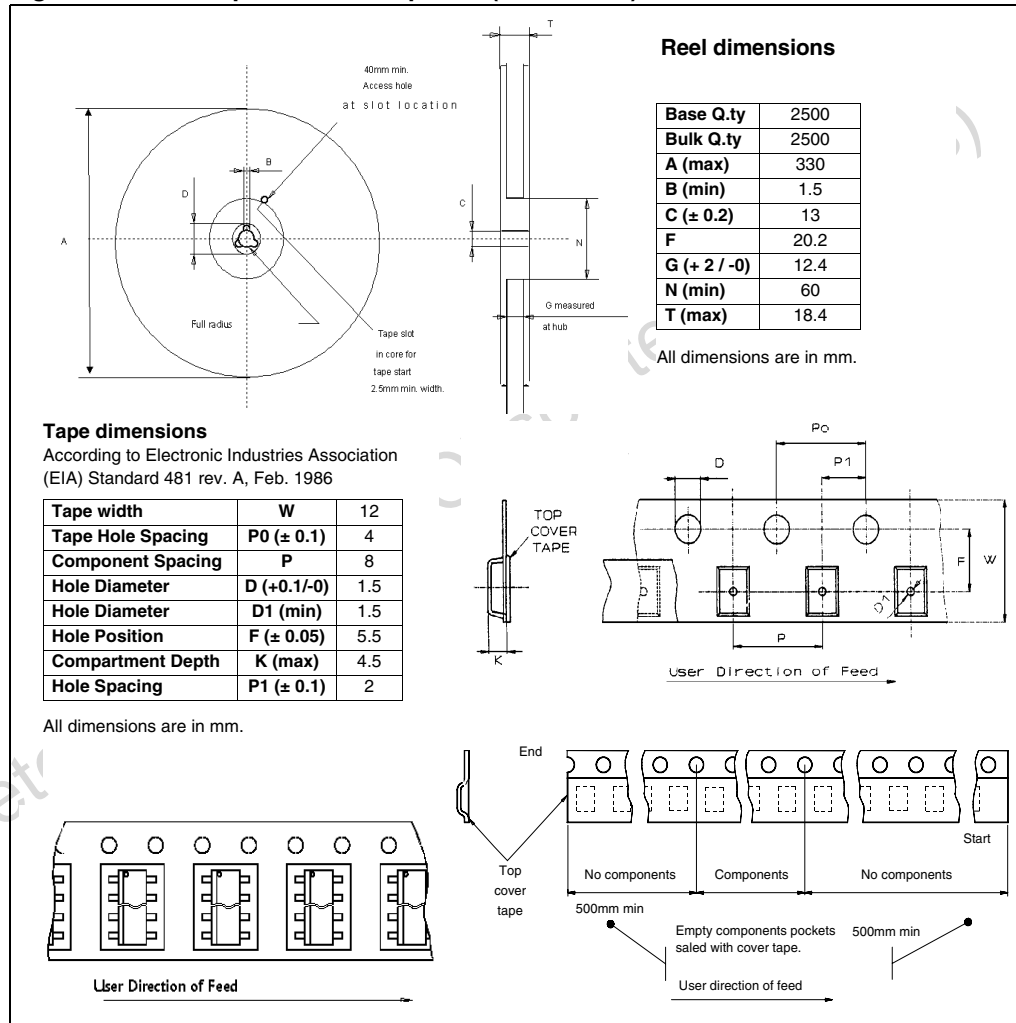


Figure 9. SO-8 tape and reel shipment (suffix "TR")



4.5 SO-20 packing information

Figure 10. SO-20 tube shipment (no suffix)

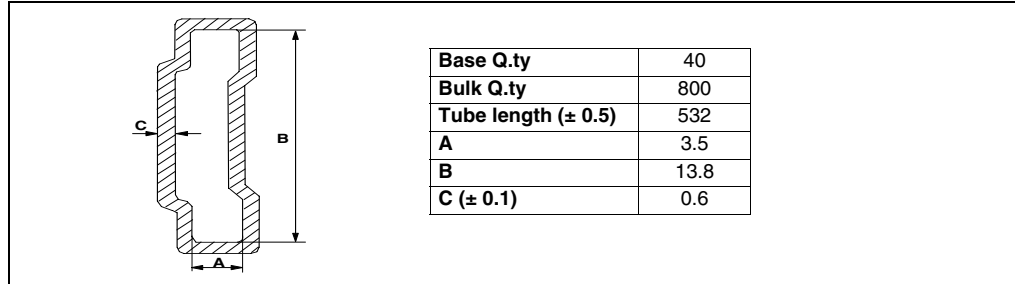
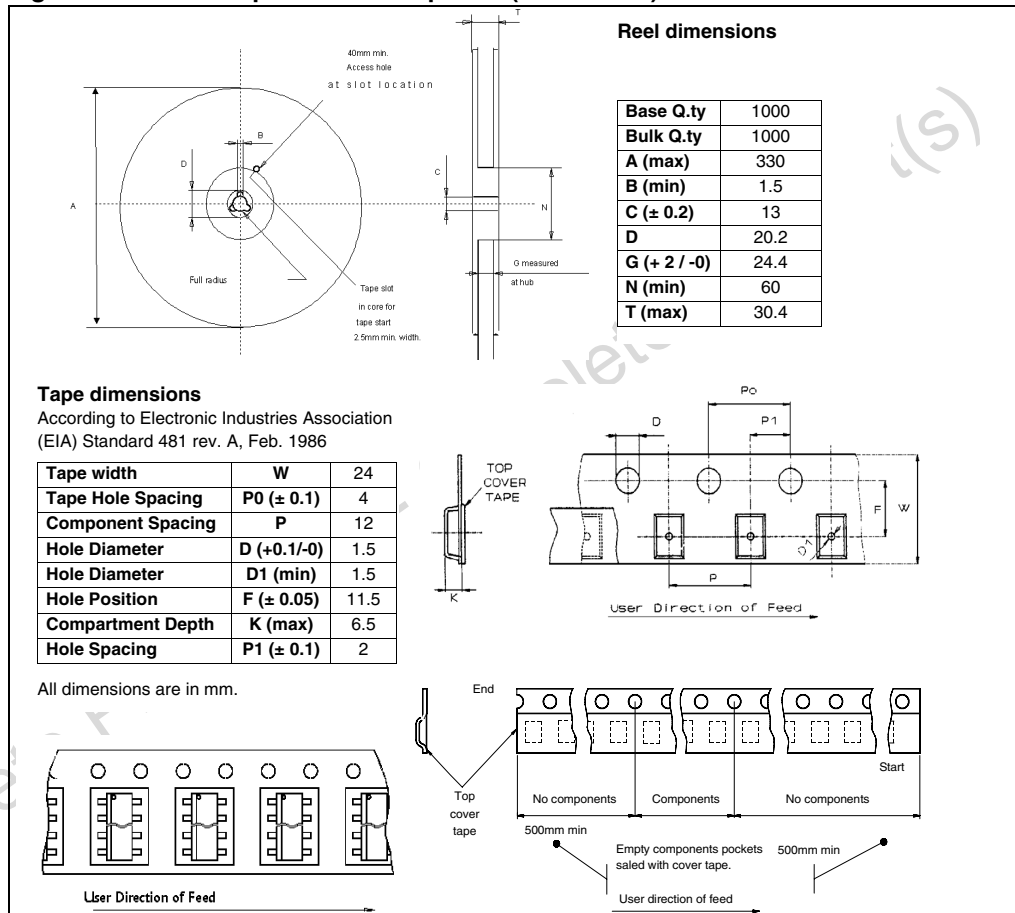


Figure 11. SO-20 tape and reel shipment (suffix "TR")



5 Revision history

Table 11. Document revision history

Date	Revision	Changes
Mar-2004	1	Initial release
13-Feb-2007	2	Changed document maturity status. Added <i>SO-8 packing information</i> and <i>SO-20 packing information</i> .
18-Nov-2008	3	Document reformatted and restructured. Added <i>Table 1: Device summary</i> . Added list of contents, tables and figures. Added <i>ECOPACK[®] packages</i> information.

Obsolete Product(s) - Obsolete Product(s)

Please Read Carefully:

Information in this document is provided solely in connection with ST products. STMicroelectronics NV and its subsidiaries ("ST") reserve the right to make changes, corrections, modifications or improvements, to this document, and the products and services described herein at any time, without notice.

All ST products are sold pursuant to ST's terms and conditions of sale.

Purchasers are solely responsible for the choice, selection and use of the ST products and services described herein, and ST assumes no liability whatsoever relating to the choice, selection or use of the ST products and services described herein.

No license, express or implied, by estoppel or otherwise, to any intellectual property rights is granted under this document. If any part of this document refers to any third party products or services it shall not be deemed a license grant by ST for the use of such third party products or services, or any intellectual property contained therein or considered as a warranty covering the use in any manner whatsoever of such third party products or services or any intellectual property contained therein.

UNLESS OTHERWISE SET FORTH IN ST'S TERMS AND CONDITIONS OF SALE ST DISCLAIMS ANY EXPRESS OR IMPLIED WARRANTY WITH RESPECT TO THE USE AND/OR SALE OF ST PRODUCTS INCLUDING WITHOUT LIMITATION IMPLIED WARRANTIES OF MERCHANTABILITY, FITNESS FOR A PARTICULAR PURPOSE (AND THEIR EQUIVALENTS UNDER THE LAWS OF ANY JURISDICTION), OR INFRINGEMENT OF ANY PATENT, COPYRIGHT OR OTHER INTELLECTUAL PROPERTY RIGHT.

UNLESS EXPRESSLY APPROVED IN WRITING BY AN AUTHORIZED ST REPRESENTATIVE, ST PRODUCTS ARE NOT RECOMMENDED, AUTHORIZED OR WARRANTED FOR USE IN MILITARY, AIR CRAFT, SPACE, LIFE SAVING, OR LIFE SUSTAINING APPLICATIONS, NOR IN PRODUCTS OR SYSTEMS WHERE FAILURE OR MALFUNCTION MAY RESULT IN PERSONAL INJURY, DEATH, OR SEVERE PROPERTY OR ENVIRONMENTAL DAMAGE. ST PRODUCTS WHICH ARE NOT SPECIFIED AS "AUTOMOTIVE GRADE" MAY ONLY BE USED IN AUTOMOTIVE APPLICATIONS AT USER'S OWN RISK.

Resale of ST products with provisions different from the statements and/or technical features set forth in this document shall immediately void any warranty granted by ST for the ST product or service described herein and shall not create or extend in any manner whatsoever, any liability of ST.

ST and the ST logo are trademarks or registered trademarks of ST in various countries.

Information in this document supersedes and replaces all information previously supplied.

The ST logo is a registered trademark of STMicroelectronics. All other names are the property of their respective owners.



© 2008 STMicroelectronics - All rights reserved

STMicroelectronics group of companies

Australia - Belgium - Brazil - Canada - China - Czech Republic - Finland - France - Germany - Hong Kong - India - Israel - Italy - Japan - Malaysia - Malta - Morocco - Singapore - Spain - Sweden - Switzerland - United Kingdom - United States of America

www.st.com

