

DESCRIPTION

The LX8584/84A/84B series ICs are low dropout three-terminal positive regulators with a nominal 7A output current. This product family is ideally suited for Pentium® Processor and Power PCTM applications requiring fast transient response. The LX8584A is **guaranteed to have < 1.2V at 7A** and the LX8584/84B < **1.4V at 7A dropout voltage**, making them ideal to provide well regulated outputs of 2.5V to 3.6V using a 5V input supply. In addition, **the LX8584B also offers ±1% maximum voltage reference accuracy over temperature**. Fixed versions are also available and are specified in the Available Options table below.

Current limit is trimmed above 7.1A to ensure adequate output current and controlled short-circuit current. On-chip thermal limiting provides protection against any combination of overload that would create excessive junction temperatures. The LX8584/84A series products are available in both the through-hole versions of the industry standard 3-pin TO-220 and TO-247 power packages. The LX1431 Programmable Reference utilized in conjunction with the LX8584 7A LDO products offer precision output voltage (see application below) and are ideal for use in VRE applications.

IMPORTANT: For the most current data, consult MICROSEMI's website: <http://www.microsemi.com>

KEY FEATURES

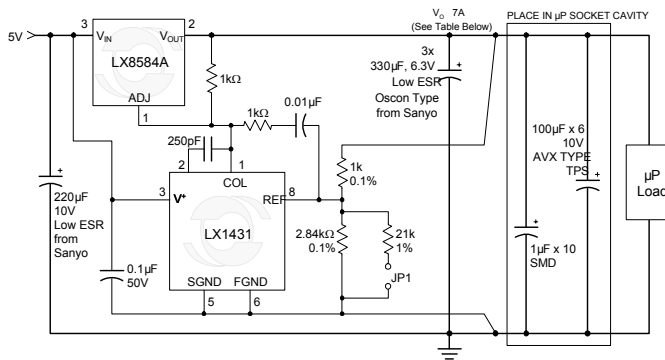
- Three Terminal Adjustable or Fixed Output
- Guaranteed 1% Voltage Accuracy over Temperature (LX8584B)
- Guaranteed < 1.2V Headroom at 7A (LX8584A)
- Guaranteed < 1.4V Headroom at 7A (LX8584/84B)
- Output Current of 7A
- Fast Transient Response
- 1% Voltage Reference Initial Accuracy
- Output Short Circuit Protection
- Built-in Thermal Shutdown
- Evaluation Board Available: Request LXE9001 Evaluation Kit

APPLICATIONS

- Pentium™ Processor Supplies
- Power PC™ Supplies
- Microprocessor Supplies
- Low Voltage Logic Supplies
- Post Regulator for Switching Supply

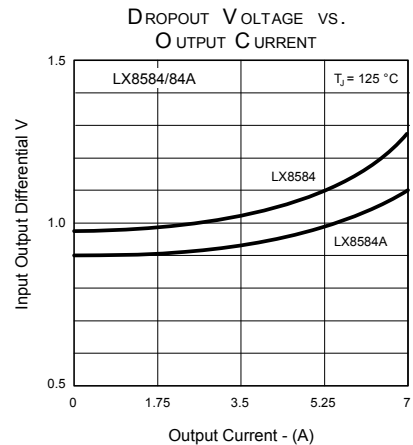
PRODUCT HIGHLIGHT

THE APPLICATION OF THE LX8584A & LX1431 IN A 75 & 166 MHz P54C PROCESSORS USING 3.3V CACHE



V _{OUT}	JP1	TYPICAL APPLICATION
3.50	Short	120/166MHz, VRE, 3.3V Cache
3.38	Open	75/90/100/133MHz, STND, 3.3V Cache

Thick traces represent high current traces which must be low resistance / low inductance in order to achieve good transient response.


PACKAGE ORDER INFO

T _J (°C)	Dropout Voltage	P Plastic TO-220 3 pin RoHS Compliant Transition DC: 0543
0 to 125	1.4V	LX8584-xxCP
	1.2V	LX8584B-xxCP LX8584A-xxCP

AVAILABLE OPTIONS

Part #	Output Voltage
LX8584/A/B-00	Adjustable
LX8584/A/B/-33	3.3V

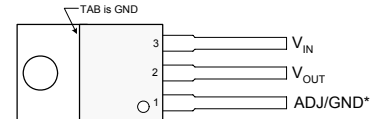
Other voltage options may be available – please contact factory for details.

Note: xx refers to output voltage, please see table to right. Available in Tape & Reel. Append the letters "TR" to the part number. (i.e. LX8584-xxCP-TR)

ABSOLUTE MAXIMUM RATINGS

Power Dissipation	Internally Limited
Input Voltage	10V
Input to Output Voltage Differential	10V
Maximum Output Current	8A
Maximum Operating Junction Temperature	150°
Storage Temperature Range	-65°C to 150°C
Package Peak Temp. for Solder Reflow (40 seconds maximum exposure) ...	260°C (+0 -5)

Note: Exceeding these ratings could cause damage to the device. All voltages are with respect to Ground. Currents are positive into, negative out of specified terminal.

PACKAGE PIN OUT


P PACKAGE
(Top View)

RoHS 100% Matte Tin Lead Finish

THERMAL DATA
P Plastic TO-220 3-Pin

THERMAL RESISTANCE-JUNCTION TO TAB, θ_{JT}	2.7°C/W
THERMAL RESISTANCE-JUNCTION TO AMBIENT, θ_{JA}	60°C/W

Junction Temperature Calculation: $T_J = T_A + (P_D \times \theta_{JA})$.

The θ_{JA} numbers are guidelines for the thermal performance of the device/pc-board system. All of the above assume no ambient airflow.

ELECTRICAL CHARACTERISTICS

Unless otherwise specified, the following specifications apply over the operating ambient temperature for the LX8585-xxC / 84A-xxC / 84B-xxC with $0^{\circ}\text{C} \leq T_A \leq 125^{\circ}\text{C}$; $V_{IN} - V_{OUT} = 3\text{V}$; $I_{OUT} = 7\text{A}$. Low duty cycle pulse testing techniques are used which maintains junction and case temperatures equal to the ambient temperature.

Parameter	Symbol	Test Conditions	LX8584x-xx			Units			
			Min	Typ	Max				
LX8584-00 / 84A-00 / 84B-00 (ADJUSTABLE)									
Reference Voltage	LX8584/84A-00	V_{REF}	$I_{OUT} = 10\text{mA}, T_A = 25^{\circ}\text{C}$	1.238	1.25	1.263	V		
			$10\text{mA} \leq I_{OUT} \leq 7\text{A}, 1.5\text{V} \leq (V_{IN} - V_{OUT}), V_{IN} \leq 7\text{V}, P \leq P_{MAX}$	1.225	1.250	1.275			
		LX8584B-00	V_{REF}	$I_{OUT} = 10\text{mA}, T_A = 25^{\circ}\text{C}$	1.240	1.250		1.260	
				$10\text{mA} \leq I_{OUT} \leq 7\text{A}, 1.5\text{V} \leq (V_{IN} - V_{OUT}), V_{IN} \leq 7\text{V}, P \leq P_{MAX}$	1.238	1.250		1.263	
Line Regulations (Note 2)		$\Delta V_{REF}(V_{IN})$	$I_{OUT} = 10\text{mA}, 1.5\text{V} \leq (V_{IN} - V_{OUT}), V_{IN} \leq 7\text{V}$		0.035	0.20	%		
Load Regulation (Note 2)		$\Delta V_{REF}(I_{OUT})$	$V_{IN} - V_{OUT} = 3\text{V}, 10\text{mA} \leq I_{OUT} \leq 7\text{A}$		0.1	0.5	%		
Thermal Regulation		$\Delta V_{OUT}(Pwr)$	$T_A = 25^{\circ}\text{C}, 20\text{ms pulse}$		0.01	0.02	% / W		
Ripple Rejection (Note 3)			$V_{OUT} = 3.3\text{V}, f = 120\text{Hz}, C_{OUT} = 100\mu\text{F Tantalum}, V_{IN} = 5\text{V}, C_{ADJ} = 10\mu\text{F}, I_{OUT} = 7\text{A}$	65	83		dB		
Adjust Pin Current		I_{ADJ}			55	100	μA		
Adjust Pin Current Change		ΔI_{ADJ}	$10\text{mA} < I_{OUT} < 7\text{A}, 1.5\text{V} < (V_{IN} - V_{OUT}), V_{IN} < 7\text{V}$		0.2	5	μA		
Dropout Voltage	LX8584A	ΔV	$\Delta V_{REF} = 1\%, I_{OUT} = 7\text{A}$		1.1	1.2	V		
	LX8584/84B		$\Delta V_{REF} = 1\%, I_{OUT} = 7\text{A}$		1.2	1.4	V		
	LX8584/84B		$\Delta V_{REF} = 1\%, I_{OUT} = 6\text{A}$		1.1	1.3	V		
Minimum Load Current		$I_{OUT(MIN)}$	$V_{IN} \leq 7\text{V}$		2	10	mA		
Maximum Output Current		$I_{OUT(MAX)}$	$1.4\text{V} \leq (V_{IN} - V_{OUT}), V_{IN} \leq 7\text{V}$	7	8		A		
Temperature Stability		$\Delta V_{OUT}(T)$			0.25		%		
Long Term Stability		$\Delta V_{OUT}(t)$	$T_A = 125^{\circ}\text{C}, 1000\text{hs}$		0.3	1	%		
RMS Output Noise (% of V_{OUT})		$V_{OUT(RMS)}$	$T_A = 25^{\circ}\text{C}, 10\text{Hz} \leq f \leq 10\text{kHz}$		0.003		%		
LX8584-33 / 84A-33 / 84B-33 (3.3V Fixed)									
Output Voltage	LX8584B-33	V_{OUT}	$V_{IN} = 5\text{V}, I_{OUT} = 0\text{mA}, T_A = 25^{\circ}\text{C}$	3.267	3.30	3.333	V		
			$4.75\text{V} \leq V_{IN} \leq 10\text{V}, 0\text{mA} \leq I_{OUT} \leq 7\text{A}, P \leq P_{MAX}$	3.234	3.30	3.366			
			LX8584/84A-33	V_{OUT}	$V_{IN} = 5\text{V}, I_{OUT} = 0\text{mA}, T_A = 25^{\circ}\text{C}$	3.274		3.30	3.326
					$4.75 \leq V_{IN} \leq 10\text{V}, 0\text{mA} \leq I_{OUT} \leq 7\text{A}, P \leq P_{MAX}$	3.267		3.30	3.333
Line Regulation (Note 2)		(V_{IN})	$\Delta V_{OUT} \quad 4.75\text{V} \leq V_{IN} \leq 7\text{V}$ $4.75\text{V} \leq V_{IN} \leq 10\text{V}$		1	6	mV		
Load Regulation (Note 2)			$\Delta V_{OUT}(I_{OUT}) \quad V_{IN} = 5\text{V}, 0\text{mA} \leq I_{OUT} \leq I_{OUT(MAX)}$		5	15	mV		
Thermal Regulation		$\Delta V_{OUT}(Pwr)$	$T_A = 25^{\circ}\text{C}, 20\text{ms pulse}$		0.01	0.02	% / W		
Ripple Rejection (Note 3)			$C_{OUT} = 100\mu\text{F (Tantalum)}, I_{OUT} = 7.5\text{V}$	60	83		dB		
Quiescent Current		I_Q	$0\text{mA} \leq I_{OUT} \leq I_{OUT(MAX)}, 4.75\text{V} \leq V_{IN} \leq 10\text{V}$		4	10	mA		
Dropout Voltage	LX8584-xx	ΔV	$\Delta V_{OUT} = 1\%, I_{OUT} = I_{OUT(MAX)}$			1.4	V		
	LX8584A-xx		$\Delta V_{OUT} = 1\%, I_{OUT} = I_{OUT(MAX)}$			1.2			
	LX8584B-xx		$\Delta V_{OUT} = 1\%, I_{OUT} = I_{OUT(MAX)}$			1.4			
Maximum Output Current			$I_{OUT(MAX)} \quad V_{IN} \leq 7\text{V}$	7	8		A		
Temperature Stability (Note 3)		$\Delta V_{OUT}(T)$			0.25		%		
Long Term Stability (Note 3)		$\Delta V_{OUT}(t)$	$T_A = 125^{\circ}\text{C}, 1000\text{hs}$		0.3	1	%		
RMS Output Noise (% of V_{OUT}) (Note 3)		$V_{OUT(RMS)}$	$T_A = 25^{\circ}\text{C}, 10\text{Hz} \leq f \leq 10\text{kHz}$		0.003		%		

Note 2: Regulation is measured at constant junction temperature, using pulse testing with a low duty cycle. Changes in output voltage due to heating effects are covered under the specification for thermal regulation.

Note 3: These parameters, although guaranteed, are not tested in production.

THEORY OF OPERATION

The LX8584/84A/84B series ICs are easy to use Low-Dropout (LDO) voltage regulators. They have all of the standard self-protection features expected of a voltage regulator: short circuit protection, safe operating area protection and automatic thermal shutdown if the device temperature rises above approximately 165°C.

Use of an output capacitor is REQUIRED with the LX8584 / 84A / 84B series. Please see the table below for recommended minimum capacitor values.

These regulators offer a more tightly controlled reference voltage tolerance and superior reference stability when measured against the older pin-compatible regulator types that they replace.

Stability

The output capacitor is part of the regulator's frequency compensation system. Many types of capacitors are available, with different capacitance value tolerances, capacitance temperature coefficients, and equivalent series impedances. For all operating conditions, connection of a 220µF aluminum electrolytic capacitor or a 47µF solid tantalum capacitor between the output terminal and ground will guarantee stable operation.

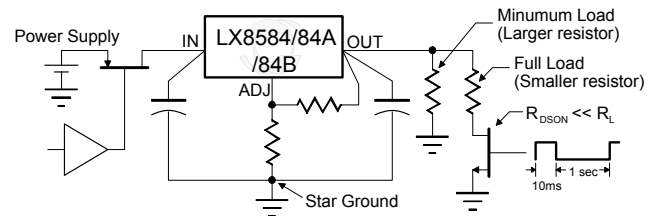
If a bypass capacitor is connected between the output voltage adjust (ADJ) pin and ground, ripple rejection will be improved (please see the section entitled "RIPPLE REJECTION"). When ADJ pin bypassing is used, the required output capacitor value increases. Output capacitor values of 220µF (aluminum) or 47µF (tantalum) provide for all cases of bypassing the ADJ pin. If an ADJ pin bypass capacitor is not used, smaller output capacitor values are adequate. The table below shows recommended minimum capacitance values for stable operation.

Recommended Capacitor Values

Input	Output	Adj
10µF	15µF Tantalum, 100µF Aluminum	None
10µF	47µF Tantalum, 200µF Aluminum	15µF

In order to ensure good transient response from the power supply system under rapidly changing current load conditions, designers generally use several output capacitors connected in parallel. Such an arrangement serves to minimize the effects of the parasitic resistance (ESR) and inductance (ESL) that are present in all capacitors. Cost-effective solutions that sufficiently limit ESR and ESL effects generally result in total capacitance values in the range of hundreds to thousands of microfarads, which is more than adequate to meet regulator output capacitor specifications. Output capacitance values may be increased without limit.

The circuit shown in Figure 1 can be used to observe the transient response characteristics of the regulator in a power system under changing loads. The effects of different capacitor types and values on transient response parameters, such as overshoot and undershoot, can be quickly compared in order to develop an optimum solution.


Figure 1 – Dynamic Input and Output Test
Overload Recovery

Like almost all IC power regulators, the LX8584/84A/84B regulators are equipped with Safe Operating Area (SOA) protection. The SOA circuit limits the regulator's maximum output current to progressively lower values as the input-to-output voltage difference increases. By limiting the maximum output current, the SOA circuit keeps the amount of power that is dissipated in the regulator itself within safe limits for all values of input-to-output voltage within the operating range of the regulator. The LX8584/84A/84B SOA protection system is designed to be able to supply some output current for all values of input-to-output voltage, up to the device breakdown voltage.

Under some conditions, a correctly operating SOA circuit may prevent a power supply system from returning to regulated operation after removal of an intermittent short circuit at the output of the regulator. This is a normal mode of operation which can be seen in most similar products, including older devices such as 7800 series regulators. It is most likely to occur when the power system input voltage is relatively high and the load impedance is relatively low.

When the power system is started "cold", both the input and output voltages are very close to zero. The output voltage closely follows the rising input voltage, and the input-to-output voltage difference is small. The SOA circuit therefore permits the regulator to supply large amounts of current as needed to develop the designed voltage level at the regulator output. Now consider the case where the regulator is supplying regulated voltage to a resistive load under steady state conditions. A moderate input-to-output voltage appears across the regulator but the voltage difference is small enough that the SOA circuitry allows sufficient current to flow through the regulator to develop the designed output voltage across the load resistance. If the output resistor is short-circuited to ground, the input-to-output voltage difference across the regulator suddenly becomes larger by the amount of voltage that had appeared across the load resistor. The SOA circuit reads the increased input-to output voltage, and cuts back the amount of current that it will permit the regulator to supply to its output terminal. When the short circuit across the output resistor is removed, all the regulator output current will again flow through the output resistor. The maximum current that the regulator can supply to the resistor will be limited by the SOA circuit, based on the large input-to-output voltage across the regulator at the time the short circuit is removed from the output.

APPLICATION NOTE
Overload Recovery (continued)

If this limited current is not sufficient to develop the designed voltage across the output resistor, the voltage will stabilize at some lower value, and will never reach the designed value. Under these circumstances, it may be necessary to cycle the input voltage down to zero in order to make the regulator output voltage return to regulation.

RIPPLE REJECTION

Ripple rejection can be improved by connecting a capacitor between the ADJ pin and ground. The value of the capacitor should be chosen so that the impedance of the capacitor is equal in magnitude to the resistance of R_1 at the ripple frequency. The capacitor value can be determined by using this equation:

$$C = 1 / (6.28 * F_R * R_1)$$

Where: C \equiv the value of the capacitor in Farads; select an equal or larger standard value.

F_R \equiv the ripple frequency in Hz

R_1 \equiv the value of resistor R_1 in ohms

At a ripple frequency of 120Hz, with $R_1 = 100\Omega$

$$C = 1 / (6.28 * 120\text{Hz} * 100\Omega) = 13.3\mu\text{F}$$

The closest equal or larger standard value should be used, in this case; 15 μ F.

When an ADJ pin bypass capacitor is used, output ripple amplitude will be essentially independent of the output voltage. If an ADJ pin bypass capacitor is not used, output ripple will be proportional to the ratio of the output voltage to the reference voltage:

$$M = V_{OUT} / V_{REF}$$

Where M \equiv a multiplier for the ripple seen when the ADJ pin is optimally bypassed.

$$V_{REF} = 1.25\text{V}$$

For example, if $V_{OUT} = 2.5\text{V}$ the output ripple will be:

$$M = 2.5\text{V} / 1.25\text{V} = 2$$

Output ripple will be twice as bad as it would be if the ADJ pin were to be bypassed to ground with a properly selected capacitor.

OUTPUT VOLTAGE

The LX8584/84A/84B ICs develop a 1.25V reference voltage between the output and the adjust terminal (See Figure 2). By placing a resistor, R_1 , between these two terminals, a constant current is caused to flow through R_1 and down through R_2 to set the overall output voltage. Normally this current is the specified minimum load current of 10mA. Because I_{ADJ} is very small and constant when compared with the current through R_1 , it represents a small error and can usually be ignored.

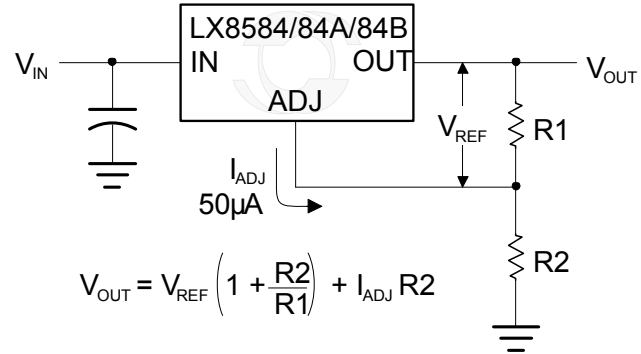


Figure 2 – Basic Adjustable Regulator

LOAD REGULATION

Because the LX8584/84A/84B regulators are three-terminal devices, it is not possible to provide true remote load sensing. Load regulation will be limited by the resistance of the wire connecting the regulator to the load. The data sheet specification for load regulation is measured at the bottom of the package. Negative side sensing is a true Kelvin connection, with the bottom of the output divider returned to the negative side of the load. Although it may not be immediately obvious, best load regulation is obtained when the top of the resistor divider, (R_1), is connected directly to the case of the regulator, not to the load. This is illustrated in Figure 3. If R_1 were connected to the load, the effective resistance between the regulator and the load would be:

$$R_{Peff} = R_p * \left(\frac{R_2 + R_1}{R_1} \right)$$

Where R_P \equiv actual parasitic line resistance

When the circuit is connected as shown in Figure 3, the parasitic resistance appears as its actual value, rather than the higher R_{Peff} .

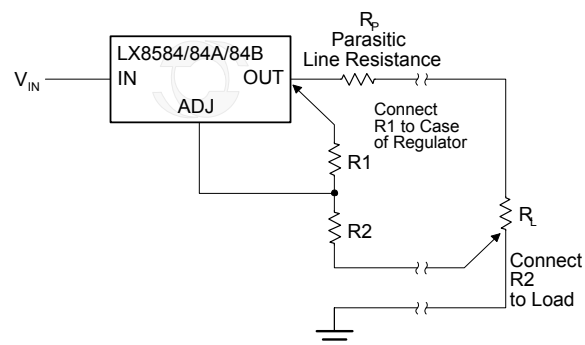


Figure 3 – Connections for Best Load Regulation

APPLICATION NOTE
LOAD REGULATION (continued)

Even when the circuit is optimally configured, parasitic resistance can be a significant source of error. A 100 mil (2.54 mm) wide PC trace built from 1 oz. copper-clad circuit board material has a parasitic resistance of about 5 milliohms per inch of its length at room temperature. If a 3-terminal regulator used to supply 2.50 volts is connected by 2 inches of this trace to a load which draws 5 amps of current, a 50 millivolt drop will appear between the regulator and the load. Even when the regulator output voltage is precisely 2.50 volts, the load will only see 2.45 volts, which is a 2% error. It is important to keep the connection between the regulator output pin and the load as short as possible, and to use wide traces or heavy-gauge wire.

The minimum specified output capacitance for the regulator should be located near the regulator package. If several capacitors are used in parallel to construct the power system output capacitance, any capacitors beyond the minimum needed to meet the specified requirements of the regulator should be located near the sections of the load that require rapidly-changing amounts of current. Placing capacitors near the sources of load transients will help ensure that power system transient response is not impaired by the effects of trace impedance.

To maintain good load regulation, wide traces should be used on the input side of the regulator, especially between the input capacitors and the regulator. Input capacitor ESR must be small enough that the voltage at the input pin does not drop below V_{IN} (MIN) during transients.

$$V_{IN(MIN)} = V_{OUT} + V_{DROPOUT(MAX)}$$

Where: $V_{IN(MIN)}$ \equiv the lowest allowable instantaneous voltage at the input pin.

V_{OUT} \equiv the designed output voltage for the power supply system.

$V_{DROPOUT(MAX)}$ \equiv the specified dropout voltage for the installed regulator.

THERMAL CONSIDERATIONS

The LX8584/84A/84B regulators have internal power and thermal limiting circuitry designed to protect each device under overload conditions. For continuous normal load conditions, however, maximum junction temperature ratings must not be exceeded. It is important to give careful consideration to all sources of thermal resistance from junction to ambient. This includes junction to case, case to heat sink interface, and heat sink thermal resistance itself.

Junction-to-case thermal resistance is specified from the IC junction to the back surface of the case directly opposite the die. This is the lowest resistance path for heat flow. Proper mounting is required to ensure the best possible thermal flow from this area of the package to the heat sink. Thermal compound at the case-to-heat-sink interface is strongly recommended. If the case of the device must be electrically isolated, a thermally conductive spacer

can be used, as long as its added contribution to thermal resistance is considered. Note that the case of all devices in this series is electrically connected to the output.

Examples

Given: $V_{IN} = 5V$

$$V_{OUT} = 2.8V, I_{OUT} = 5.0A$$

$$\text{Ambient Temp., } T_A = 50^\circ C$$

$$R_{\theta JT} = 2.7^\circ C/W \text{ 300 ft/min airflow available}$$

Find: Proper Heat Sink to keep IC's junction temperature below $125^\circ C$ **

Solution: The junction temperature is:

$$T_J = P_D (R_{\theta JT} + R_{\theta CS} + R_{\theta SA}) + T_A$$

Where: P_D \equiv Dissipated power

$R_{\theta JT}$ \equiv Thermal resistance from the junction to the mounting tab of the package

$R_{\theta CS}$ \equiv Thermal resistance through the interface between the IC and the surface on which it is mounted. ($1.0^\circ C/W$ @ 6 in-lbs mounting screw torque).

$R_{\theta SA}$ \equiv Thermal resistance from the mounting surface to ambient (thermal resistance of the heat sink).

T_S \equiv Heat sink temperature.

$$T_J \begin{matrix} \text{---} R_{\theta JT} \text{---} \\ \text{---} R_{\theta CS} \text{---} \\ \text{---} R_{\theta SA} \text{---} \end{matrix} T_C \begin{matrix} \text{---} R_{\theta CS} \text{---} \\ \text{---} R_{\theta SA} \text{---} \end{matrix} T_S \begin{matrix} \text{---} R_{\theta SA} \text{---} \end{matrix} T_A$$

First, find the maximum allowable thermal resistance of the heat sink:

$$R_{\theta SA} = \frac{T_J - T_A}{P_D} - (R_{\theta JT} + R_{\theta CS})$$

$$P_D = (V_{IN(MAX)} - V_{OUT}) I_{OUT} = (5.0V - 2.8V) * 5.0A = 11.0W$$

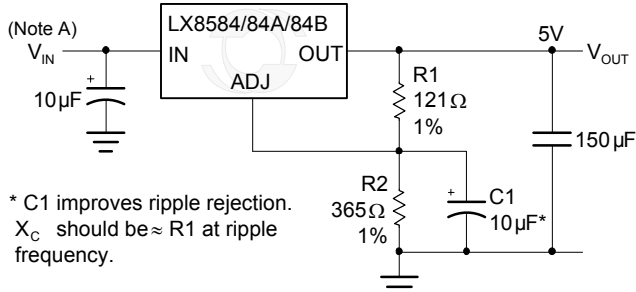
$$R_{\theta SA} = \frac{125^\circ C - 50^\circ C}{(5.0V - 2.8V) * 5.0A} - (2.7^\circ C/W + 1.0^\circ C/W) = 3.1^\circ C/W$$

Next, select a suitable heat sink. The selected heat sink must have $R_{\theta SA} < 3.1^\circ C/W$. Thermalloy heatsink 6296B has $R_{\theta SA} = 3.0^\circ C/W$ with 300ft/min air flow.

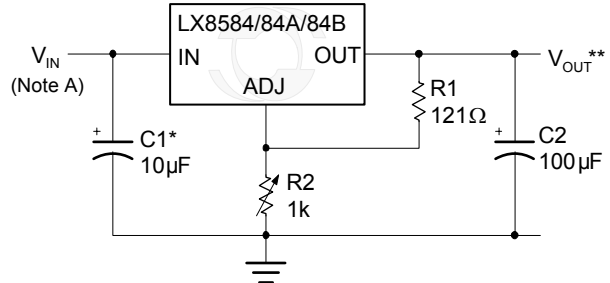
Finally, verify that junction temperature remains within specification using the selected heat sink:

$$T_J = 11W(2.7^\circ C/W + 1.0^\circ C/W + 3.0^\circ C/W) + 50^\circ C = 124^\circ C$$

** Although the device can operate up to $150^\circ C$ junction, it is recommended for long term reliability to keep the junction temperature below $125^\circ C$ whenever possible.

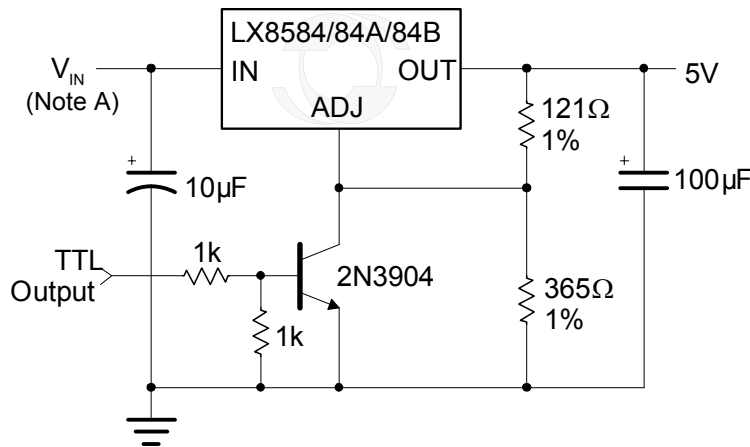
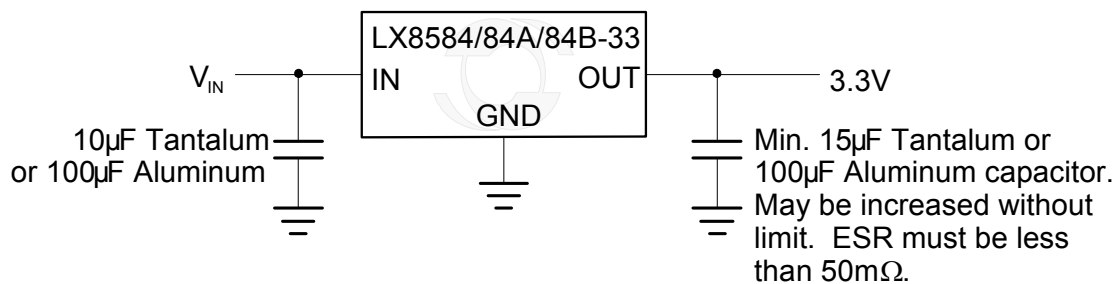
APPLICATION NOTE


* C1 improves ripple rejection. X_C should be $\approx R1$ at ripple frequency.

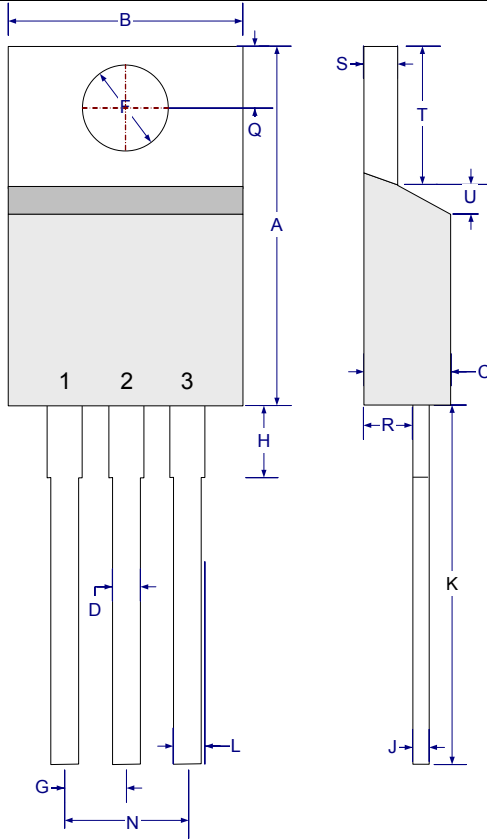
Figure 4 – Improving Ripple Rejection


Needed if device is far from filter capacitors.

$$** V_{OUT} = 1.25V \left(1 + \frac{R2}{R1} \right)$$

Figure 5 – 1.2V – 8V Adjustable Regulator

Figure 6 – 5V Regulator with Shutdown

Figure 7 – Fixed 3.3V Output Regulator

Note A: $V_{IN(MIN)} = (Intended V_{OUT}) + (V_{DROPOUT(MAX)})$

PACKAGE DIMENSIONS
P 3-Pin Plastic TO-220


Dim	MILLIMETERS		INCHES	
	MIN	MAX	MIN	MAX
A	14.22	15.88	0.560	0.625
B	9.65	10.67	0.380	0.420
C	3.56	4.83	0.140	0.190
D	0.51	1.14	0.020	0.045
F	3.53	4.09	0.139	0.161
G	2.54 BSC		0.100 BSC	
H		6.35		0.250
J	0.30	1.14	0.012	0.045
K	12.70	14.73	0.500	0.580
L	1.14	1.27	0.045	0.050
N	5.08 TYP		0.200 TYP	
Q	2.54	3.05	0.100	0.120
R	2.03	2.92	0.080	0.115
S	1.14	1.40	0.045	0.055
T	5.84	6.86	0.230	0.270
U	0.508	1.14	0.020	0.045

Note:

- Dimensions do not include mold flash or protrusions; these shall not exceed 0.155mm(.006") on any side. Lead dimension shall not include solder coverage.



Microsemi[®]

LX8584x-xx

7A Low Dropout Positive Regulators

PRODUCTION DATA SHEET

NOTES

PRODUCTION DATA – Information contained in this document is proprietary to Microsemi and is current as of publication date. This document may not be modified in any way without the express written consent of Microsemi. Product processing does not necessarily include testing of all parameters. Microsemi reserves the right to change the configuration and performance of the product and to discontinue product at any time.

Pentium is a trademark of Intel Corporation
PowerPC is a trademark of Motorola Inc.

Copyright © 1997
Rev. 1.3, 2005-11-11

Microsemi
Integrated Products Division
11861 Western Avenue, Garden Grove, CA. 92841, 714-898-8121, Fax: 714-893-2570

Page 9

www.Microsemi.com

NOTES