



# 5V/3.3V or Adjustable, Low-Dropout, Low $I_Q$ , 500mA Linear Regulators

MAX603/MAX604

## General Description

The MAX603/MAX604 low-dropout, low quiescent current, linear regulators supply 5V, 3.3V, or an adjustable output for currents up to 500mA. They are available in a 1.8W SO package. Typical dropouts are 320mV at 5V and 500mA, or 240mV at 3.3V and 200mA. Quiescent currents are 15 $\mu$ A typ and 35 $\mu$ A max. Shutdown turns off all circuitry and puts the regulator in a 2 $\mu$ A off mode. A unique protection scheme limits reverse currents when the input voltage falls below the output. Other features include foldback current limiting and thermal overload protection.

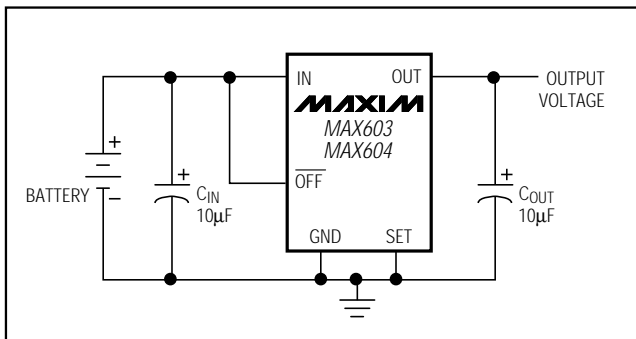
The output is preset at 3.3V for the MAX604 and 5V for the MAX603. In addition, both devices employ Dual Mode™ operation, allowing user-adjustable outputs from 1.25V to 11V using external resistors. The input voltage supply range is 2.7V to 11.5V.

The MAX603/MAX604 feature a 500mA P-channel MOSFET pass transistor. This transistor allows the devices to draw less than 35 $\mu$ A over temperature, independent of the output current. The supply current remains low because the P-channel MOSFET pass transistor draws no base currents (unlike the PNP transistors of conventional bipolar linear regulators). Also, when the input-to-output voltage differential becomes small, the internal P-channel MOSFET does not suffer from excessive base current losses that occur with saturated PNP transistors.

## Applications

5V and 3.3V Regulators  
1.25V to 11V Adjustable Regulators  
Battery-Powered Devices  
Pagers and Cellular Phones  
Portable Instruments  
Solar-Powered Instruments

## Typical Operating Circuit



™ Dual Mode is a trademark of Maxim Integrated Products.

## Features

- ◆ 500mA Output Current, with Foldback Current Limiting
- ◆ High-Power (1.8W) 8-Pin SO Package
- ◆ Dual Mode™ Operation: Fixed or Adjustable Output from 1.25V to 11V
- ◆ Large Input Range (2.7V to 11.5V)
- ◆ Internal 500mA P-Channel Pass Transistor
- ◆ 15 $\mu$ A Typical Quiescent Current
- ◆ 2 $\mu$ A (Max) Shutdown Mode
- ◆ Thermal Overload Protection
- ◆ Reverse-Current Protection

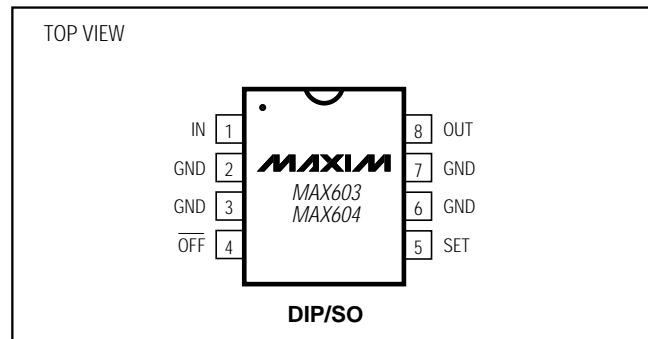
## Ordering Information

PART	TEMP. RANGE	PIN-PACKAGE
MAX603CPA	0°C to +70°C	8 Plastic DIP
MAX603CSA	0°C to +70°C	8 SO
MAX603C/D	0°C to +70°C	Dice*
MAX603EPA	-40°C to +85°C	8 Plastic DIP
MAX603ESA	-40°C to +85°C	8 SO
MAX603MJA	-55°C to +125°C	8 CERDIP**
MAX604CPA	0°C to +70°C	8 Plastic DIP
MAX604CSA	0°C to +70°C	8 SO
MAX604C/D	0°C to +70°C	Dice*
MAX604EPA	-40°C to +85°C	8 Plastic DIP
MAX604ESA	-40°C to +85°C	8 SO
MAX604MJA	-55°C to +125°C	8 CERDIP**

\* Dice are tested at  $T_A = +25^\circ\text{C}$ , DC parameters only.

\*\* Contact factory for availability.

## Pin Configuration



Maxim Integrated Products 1

Call toll free 1-800-998-8800 for free samples or literature.

# 5V/3.3V or Adjustable, Low-Dropout, Low $I_Q$ , 500mA Linear Regulators

## ABSOLUTE MAXIMUM RATINGS

Supply Voltage (IN or OUT to GND).....-0.3V to +12V  
 Output Short-Circuit Duration ..... 1 min  
 Continuous Output Current ..... 600mA  
 SET, OFF Input Voltages ..... -0.3V to the greater of  
 (IN + 0.3V) or (OUT + 0.3V)  
 Continuous Power Dissipation ( $T_A = +70^\circ\text{C}$ )  
 Plastic DIP (derate 9.09mW/ $^\circ\text{C}$  above +70 $^\circ\text{C}$ ) ..... 727mW  
 SO (derate 23.6mW/ $^\circ\text{C}$  above +70 $^\circ\text{C}$ ) ..... 1.8W  
 CERDIP (derate 8.00mW/ $^\circ\text{C}$  above +70 $^\circ\text{C}$ ) ..... 640mW

### Operating Temperature Ranges

MAX60\_C\_A ..... 0 $^\circ\text{C}$  to +70 $^\circ\text{C}$   
 MAX60\_E\_A ..... -40 $^\circ\text{C}$  to +85 $^\circ\text{C}$   
 MAX60\_MJA ..... -55 $^\circ\text{C}$  to +125 $^\circ\text{C}$   
 Junction Temperature ..... +150 $^\circ\text{C}$   
 Storage Temperature Range ..... -65 $^\circ\text{C}$  to +160 $^\circ\text{C}$   
 Lead Temperature (soldering, 10sec) ..... +300 $^\circ\text{C}$

Stresses beyond those listed under "Absolute Maximum Ratings" may cause permanent damage to the device. These are stress ratings only, and functional operation of the device at these or any other conditions beyond those indicated in the operational sections of the specifications is not implied. Exposure to absolute maximum rating conditions for extended periods may affect device reliability.

## ELECTRICAL CHARACTERISTICS

( $V_{IN} = 6\text{V}$  (MAX603) or 4.3V (MAX604),  $C_{IN} = C_{OUT} = 10\mu\text{F}$ ,  $\overline{\text{OFF}} = V_{IN}$ , SET = GND,  $T_J = T_{MIN}$  to  $T_{MAX}$ , unless otherwise noted. Typical values are at  $T_J = +25^\circ\text{C}$ .) (Note 1)

PARAMETER	SYMBOL	CONDITIONS	MIN	TYP	MAX	UNITS	
Input Voltage	$V_{IN}$	SET = OUT, $R_L = 1\text{k}\Omega$	MAX60_C	2.7		11.5	V
			MAX60_E	2.9		11.5	
			MAX60_M	3.0		11.5	
Output Voltage (Note 2)	$V_{OUT}$	$I_{OUT} = 20\mu\text{A}$ to 500mA, $6.0\text{V} < V_{IN} < 11.5\text{V}$	MAX603	4.75	5.00	5.25	V
		$I_{OUT} = 20\mu\text{A}$ to 300mA, $4.3\text{V} < V_{IN} < 11.5\text{V}$	MAX604	3.15	3.30	3.45	
Load Regulation	$\Delta V_{LDR}$	$I_{OUT} = 1\text{mA}$ to 500mA	MAX603C/E		60	100	mV
			MAX603M			150	
		$I_{OUT} = 1\text{mA}$ to 300mA	MAX604		30	100	
Line Regulation	$\Delta V_{LNR}$	$(V_{OUT} + 0.5\text{V}) \leq V_{IN} \leq 11.5\text{V}$ , $I_{OUT} = 25\text{mA}$		7	40	mV	
Dropout Voltage (Note 3)	$\Delta V_{DO}$	$I_{OUT} = 200\text{mA}$	MAX603		130	220	mV
				$I_{OUT} = 500\text{mA}$		320	
		$I_{OUT} = 200\text{mA}$	MAX604		240	410	
				$I_{OUT} = 400\text{mA}$		480	
Quiescent Current	$I_Q$	$3.0\text{V} \leq V_{IN} \leq 11.5\text{V}$ , SET = OUT	MAX60_C/E		15	35	$\mu\text{A}$
			MAX60_M			40	
OFF Quiescent Current	$I_{Q\text{ OFF}}$	$\overline{\text{OFF}} \leq 0.4\text{V}$ , $R_L = 1\text{k}\Omega$ , $(V_{OUT} + 1\text{V}) \leq V_{IN} \leq 11.5\text{V}$	MAX60_C		0.01	2	$\mu\text{A}$
			MAX60_E			10	
			MAX60_M			20	
Minimum Load Current	$I_{OUT\text{ MIN}}$	$V_{IN} = 11.5\text{V}$ , SET = OUT	MAX60_C			2	$\mu\text{A}$
			MAX60_E			6	
			MAX60_M			20	
Foldback Current Limit (Note 4)	$I_{LIM}$	$V_{OUT} < 0.8\text{V}$			350	mA	
		$V_{OUT} > 0.8\text{V}$ and $V_{IN} - V_{OUT} > 0.7\text{V}$			1200		
Thermal Shutdown Temperature	$T_{SD}$				160	$^\circ\text{C}$	
Thermal Shutdown Hysteresis	$\Delta T_{SD}$				10	$^\circ\text{C}$	

# 5V/3.3V or Adjustable, Low-Dropout, Low I<sub>Q</sub>, 500mA Linear Regulators

MAX603/MAX604

## ELECTRICAL CHARACTERISTICS (continued)

(V<sub>IN</sub> = 6V (MAX603) or 4.3V (MAX604), C<sub>IN</sub> = C<sub>OUT</sub> = 10μF,  $\overline{\text{OFF}}$  = V<sub>IN</sub>, SET = GND, T<sub>J</sub> = T<sub>MIN</sub> to T<sub>MAX</sub>, unless otherwise noted. Typical values are at T<sub>J</sub> = +25°C.) (Note 1)

PARAMETER	SYMBOL	CONDITIONS	MIN	TYP	MAX	UNITS
Reverse-Current Protection Threshold (Note 5)	ΔV <sub>RTH</sub>	V <sub>OUT</sub> = 4.5V	MAX603	6	20	mV
		V <sub>OUT</sub> = 3.0V	MAX604	6	20	
Reverse Leakage Current	I <sub>RVL</sub>	V <sub>IN</sub> = 0V, V <sub>OUT</sub> = 4.5V (MAX603) V <sub>OUT</sub> = 3.0V (MAX604)	MAX60_C	0.01	10	μA
			MAX60_E		20	
			MAX60_M		100	
Start-Up Overshoot	V <sub>OSSH</sub>	R <sub>L</sub> = 1kΩ, C <sub>OUT</sub> = 10μF, $\overline{\text{OFF}}$ rise time ≤ 1μs		2		%V <sub>OUT</sub>
Time Required to Exit Shutdown	t <sub>START</sub>	V <sub>IN</sub> = 9V, R <sub>L</sub> = 18Ω, V $\overline{\text{OFF}}$ switched from 0V to V <sub>IN</sub> , time from 0% to 95% of V <sub>OUT</sub>		200		μs
Dual-Mode SET Threshold	V <sub>SET TH</sub>	For internal feedback		80	30	mV
		For external feedback	150	80		
SET Reference Voltage	V <sub>SET</sub>	SET = OUT, R <sub>L</sub> = 1kΩ	1.16	1.20	1.24	V
SET Input Leakage Current	I <sub>SET</sub>	V <sub>SET</sub> = 1.5V or 0V		±0.01	±10	nA
OUT Leakage Current	I <sub>OUT LKG</sub>	V <sub>IN</sub> = 11.5V, V <sub>OUT</sub> = 2V, SET = OUT	MAX60_C	0.01	2	μA
			MAX60_E		6	
			MAX60_M		20	
$\overline{\text{OFF}}$ Threshold Voltage	V <sub>IL <math>\overline{\text{OFF}}</math></sub>	Off			0.4	V
	V <sub>IH <math>\overline{\text{OFF}}</math></sub>	On, SET = OUT, V <sub>IN</sub> = 4V	2.0			
		On, SET = OUT, V <sub>IN</sub> = 6V	3.0			
		On, SET = OUT, V <sub>IN</sub> = 11.5V	4.0			
$\overline{\text{OFF}}$ Input Leakage Current	I $\overline{\text{OFF}}$	V $\overline{\text{OFF}}$ = V <sub>IN</sub> or GND		±0.01	±10	nA
Output Noise (Note 6)	e <sub>n</sub>	10Hz to 10kHz, SET = OUT, R <sub>L</sub> = 1kΩ, C <sub>OUT</sub> = 10μF		250		μV <sub>RMS</sub>

**Note 1:** Electrical specifications are measured by pulse testing and are guaranteed for a junction temperature (T<sub>J</sub>) equal to the operating temperature range. C and E grade parts may be operated up to a T<sub>J</sub> of +125°. Expect performance similar to M grade specifications. For T<sub>J</sub> between +125°C and +150°C, the output voltage may drift more.

**Note 2:** (V<sub>IN</sub> - V<sub>OUT</sub>) is limited to keep the product (I<sub>OUT</sub> × (V<sub>IN</sub> - V<sub>OUT</sub>)) from exceeding the package power dissipation limits.

**Note 3:** Dropout Voltage is (V<sub>IN</sub> - V<sub>OUT</sub>) when V<sub>OUT</sub> falls to 100mV below its nominal value at V<sub>IN</sub> = V<sub>OUT</sub> + 2V. For example, the MAX603 is tested by measuring the V<sub>OUT</sub> at V<sub>IN</sub> = 7V, then V<sub>IN</sub> is lowered until V<sub>OUT</sub> falls 100mV below the measured value. The difference (V<sub>IN</sub> - V<sub>OUT</sub>) is then measured and defined as ΔV<sub>DO</sub>.

**Note 4:** Foldback Current Limit was characterized by pulse testing to remain below the maximum junction temperature.

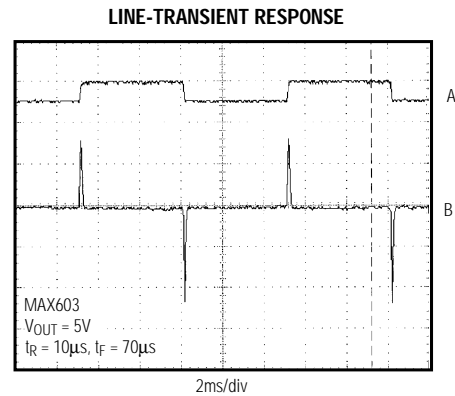
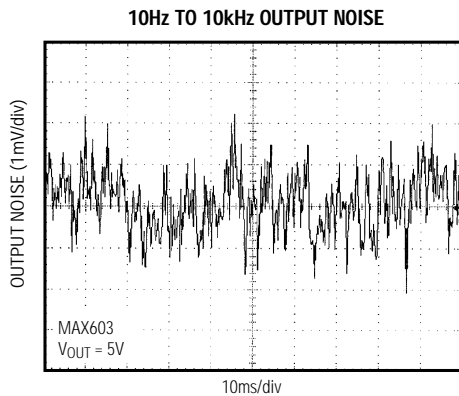
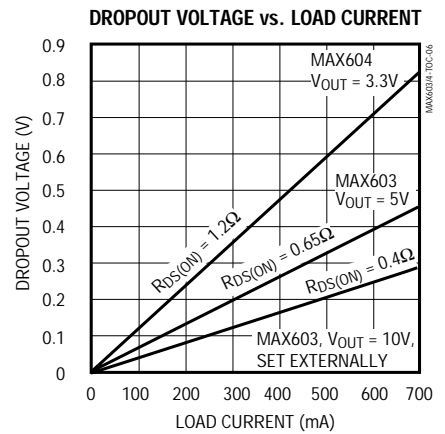
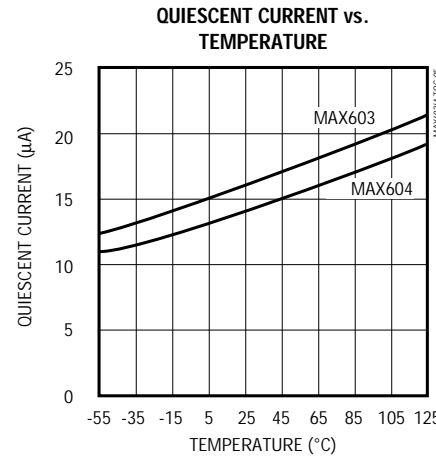
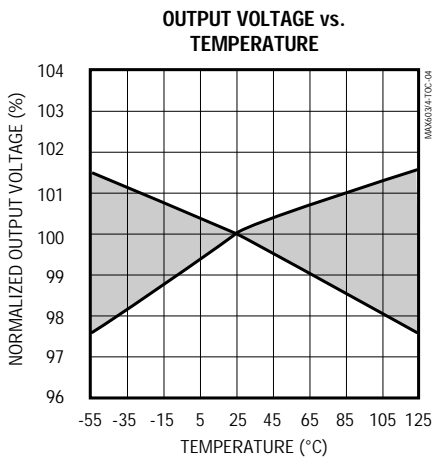
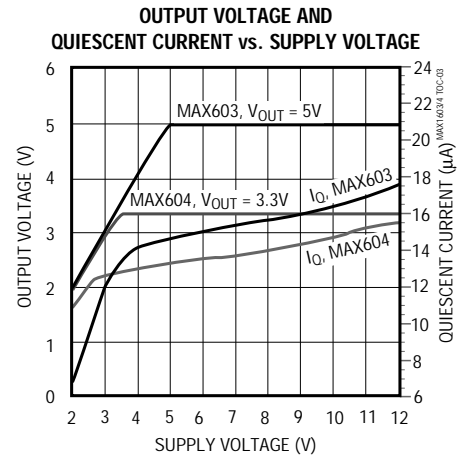
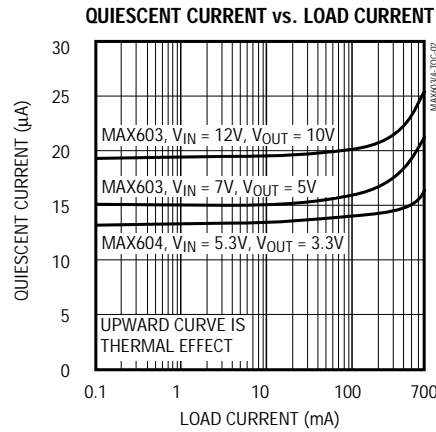
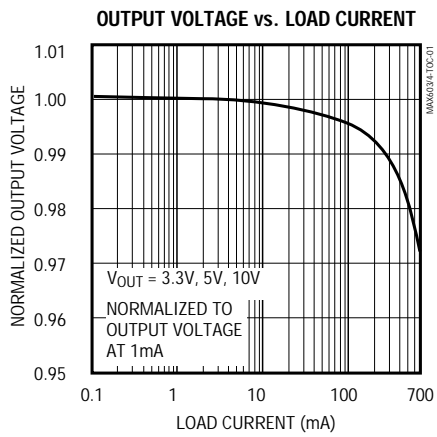
**Note 5:** The Reverse-Current Protection Threshold is the output/input differential voltage (V<sub>OUT</sub> - V<sub>IN</sub>) at which reverse-current protection switchover occurs and the pass transistor is turned off.

**Note 6:** Noise is tested using a bandpass amplifier with two poles at 10Hz and two poles at 10kHz.

# 5V/3.3V or Adjustable, Low-Dropout, Low $I_Q$ , 500mA Linear Regulators

## Typical Operating Characteristics

( $V_{IN} = 7V$  for MAX603,  $V_{IN} = 5.3V$  for MAX604,  $\overline{OFF} = V_{IN}$ , SET = GND,  $C_{IN} = C_{OUT} = 10\mu F$ ,  $R_L = 1k\Omega$ ,  $T_J = +25^\circ C$ , unless otherwise noted.)



A:  $V_{IN} = 8V$  (HIGH),  $V_{IN} = 7V$  (LOW)  
B: OUTPUT VOLTAGE (50mV/div)

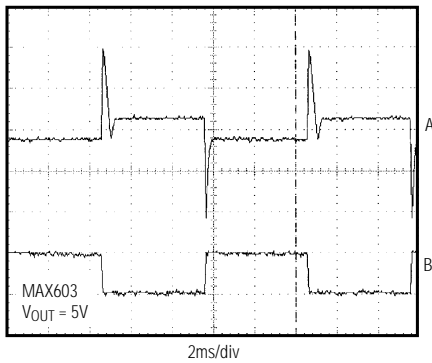
# 5V/3.3V or Adjustable, Low-Dropout, Low $I_Q$ , 500mA Linear Regulators

MAX603/MAX604

## Typical Operating Characteristics (continued)

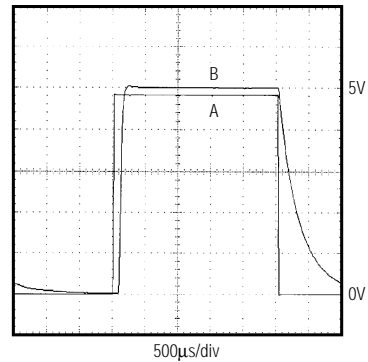
( $V_{IN} = 7V$  for MAX603,  $V_{IN} = 5.3V$  for MAX604,  $\overline{OFF} = V_{IN}$ , SET = GND,  $C_{IN} = C_{OUT} = 10\mu F$ ,  $R_L = 1k\Omega$ ,  $T_J = +25^\circ C$ , unless otherwise noted.)

**LOAD-TRANSIENT RESPONSE**



A: OUTPUT VOLTAGE (100mV/div)  
B:  $I_{OUT} = 500mA$  (HIGH),  $I_{OUT} = 5mA$  (LOW)

**OVERSHOOT AND TIME EXITING SHUTDOWN MODE**



A:  $\overline{OFF}$  PIN VOLTAGE (1V/div)  
RISE TIME =  $13\mu s$   
B: MAX603 OUTPUT VOLTAGE (1V/div)  
DELAY = 4.936ms, OVERSHOOT = 1%, RISE TIME =  $55\mu s$

## Pin Description

PIN	NAME	DESCRIPTION
1	IN	Regulator Input. Supply voltage can range from 2.7V to 11.5V.
2, 3, 6, 7	GND	Ground. These pins function as heatsinks, only in the SOIC package. All GND pins must be soldered to the circuit board for proper power dissipation. Connect to large copper pads or planes to channel heat from the IC.
4	$\overline{OFF}$	Shutdown, active low. Switch logic levels in less than $1\mu s$ with the high level above the $\overline{OFF}$ threshold.
5	SET	Feedback for Setting the Output Voltage. Connect to GND to set the output voltage to the preselected 3.3V or 5V. Connect to an external resistor network for adjustable output operation.
8	OUT	Regulator Output. Fixed or adjustable from 1.25V to 11.0V. Sources up to 500mA for input voltages above 4V.

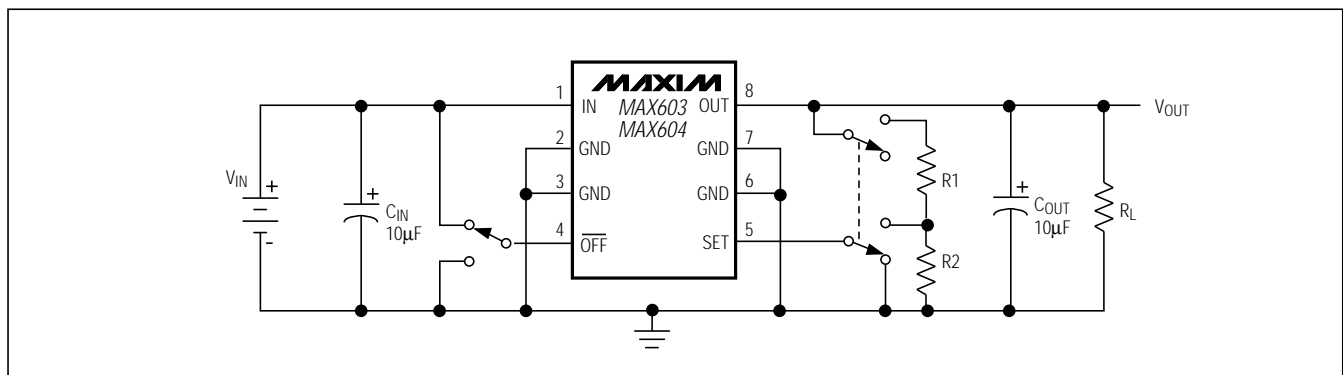


Figure 1. Test Circuit

# 5V/3.3V or Adjustable, Low-Dropout, Low $I_Q$ , 500mA Linear Regulators

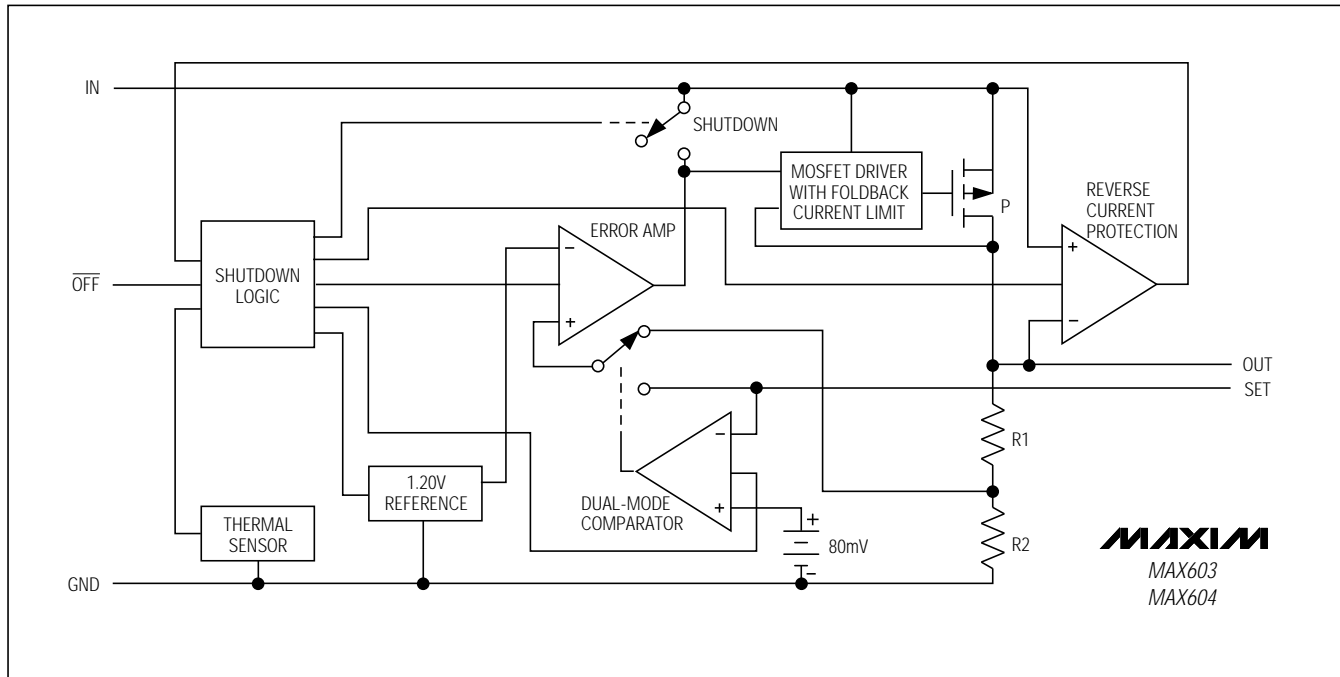


Figure 2. Functional Diagram

## Detailed Description

The MAX603/MAX604 are low-dropout, low-quiescent-current linear regulators designed primarily for battery-powered applications. They supply an adjustable 1.25V to 11V output or a preselected 5V (MAX603) or 3.3V (MAX604) output for load currents up to 500mA. As illustrated in Figure 2, they consist of a 1.20V reference, error amplifier, MOSFET driver, P-channel pass transistor, dual-mode comparator, and internal feedback voltage divider.

The 1.20V bandgap reference is connected to the error amplifier's inverting input. The error amplifier compares this reference with the selected feedback voltage and amplifies the difference. The MOSFET driver reads the error signal and applies the appropriate drive to the P-channel pass transistor. If the feedback voltage is lower than the reference, the pass transistor gate is pulled lower, allowing more current to pass and increasing the output voltage. If the feedback voltage is too high, the pass transistor gate is pulled up, allowing less current to pass to the output.

The output voltage is fed back through either an internal resistor voltage divider connected to the OUT pin, or an external resistor network connected to the SET pin. The dual-mode comparator examines the SET voltage and selects the feedback path used. If SET is below 80mV, internal feedback is used and the output voltage is regulated to 5V for the MAX603 or 3.3V for the MAX604. Additional blocks include a foldback current limiter, reverse current protection, thermal sensor, and shutdown logic.

### Internal P-Channel Pass Transistor

The MAX603/MAX604 feature a 500mA P-channel MOSFET pass transistor. This provides several advantages over similar designs using PNP pass transistors, including longer battery life.

The P-channel MOSFET requires no base drive, which reduces quiescent current considerably. PNP based regulators waste considerable amounts of current in dropout when the pass transistor saturates. They also use high base-drive currents under large loads. The MAX603/MAX604 do not suffer from these problems and consume only 15 $\mu$ A of quiescent current under light and heavy loads, as well as in dropout.

# 5V/3.3V or Adjustable, Low-Dropout, Low I<sub>Q</sub>, 500mA Linear Regulators

MAX603/MAX604

## Output Voltage Selection

The MAX603/MAX604 feature dual-mode operation. In preset voltage mode, the output of the MAX603 is set to 5V and the output of the MAX604 is set to 3.3V using internal, trimmed feedback resistors. Select this mode by connecting SET to ground.

In adjustable mode, an output between 1.25V and 11V is selected using two external resistors connected as a voltage divider to SET (Figure 3). The output voltage is set by the following equation:

$$V_{OUT} = V_{SET} \left( 1 + \frac{R1}{R2} \right)$$

where  $V_{SET} = 1.20V$ . To simplify resistor selection:

$$R1 = R2 \left( \frac{V_{OUT}}{V_{SET}} - 1 \right)$$

Since the input bias current at SET is nominally zero, large resistance values can be used for R1 and R2 to minimize power consumption without losing accuracy. Up to 1.5M $\Omega$  is acceptable for R2. Since the  $V_{SET}$  tolerance is less than  $\pm 40mV$ , the output can be set using fixed resistors instead of trim pots.

In preset voltage mode, impedances between SET and ground should be less than 10k $\Omega$ . Otherwise, spurious conditions could cause the voltage at SET to exceed the 80mV dual-mode threshold.

## Shutdown

A low input on the  $\overline{OFF}$  pin shuts down the MAX603/MAX604. In the off mode, the pass transistor, control circuit, reference, and all biases are turned off, reducing the supply current below 2 $\mu A$ .  $\overline{OFF}$  should be connected to IN for normal operation.

Use a fast comparator, Schmitt trigger, or CMOS or TTL logic to drive the  $\overline{OFF}$  pin in and out of shutdown. Rise times should be shorter than 1 $\mu s$ . Do not use slow RC circuits, leave  $\overline{OFF}$  open, or allow the input to linger between thresholds; these measures will prevent the output from jumping to the positive supply rail in response to an indeterminate input state.

Since the  $\overline{OFF}$  threshold varies with input supply voltage (see *Electrical Characteristics*), do not derive the drive voltage from 3.3V logic. With  $V_{IN}$  at 11.5V, the high  $\overline{OFF}$  logic level needs to be above 4V.

## Foldback Current Limiting

The MAX603/MAX604 also include a foldback current limiter. It monitors and controls the pass transistor's gate voltage, estimating the output current and limiting it to 1.2A for output voltages above 0.8V and  $V_{IN} - V_{OUT}$

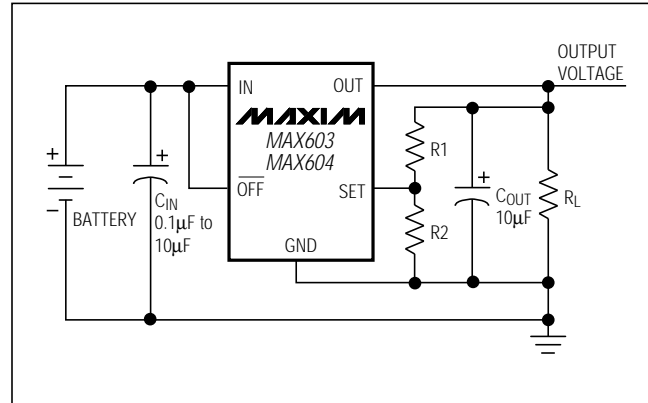


Figure 3. Adjustable Output Using External Feedback Resistors

> 0.7V. For  $V_{IN} - V_{OUT} < 0.7V$  (dropout operation), there is no current limit. If the output voltage drops below 0.8V, implying a short-circuit condition, the output current is limited to 350mA. The output can be shorted to ground for one minute without damaging the device if the package can dissipate  $V_{IN} \times 350mA$  without exceeding  $T_J = +150^\circ C$ .

## Thermal Overload Protection

Thermal overload protection limits total power dissipation in the MAX603/MAX604. When the junction temperature exceeds  $T_J = +160^\circ C$ , the thermal sensor sends a signal to the shutdown logic, turning off the pass transistor and allowing the IC to cool. The thermal sensor will turn the pass transistor on again after the IC's junction temperature cools by 10 $^\circ C$ , resulting in a pulsed output during thermal overload conditions.

Thermal overload protection is designed to protect the MAX603/MAX604 in the event of fault conditions. For continual operation, the absolute maximum junction temperature rating of  $T_J = +150^\circ C$  should not be exceeded.

## Operating Region and Power Dissipation

Maximum power dissipation of the MAX603/MAX604 depends on the thermal resistance of the case and circuit board, the temperature difference between the die junction and ambient air, and the rate of air flow. The power dissipation across the device is  $P = I_{OUT} (V_{IN} - V_{OUT})$ . The resulting maximum power dissipation is:

$$P_{MAX} = \left( \frac{(T_J - T_A)}{(\theta_{JB} + \theta_{BA})} \right)$$

where  $(T_J - T_A)$  is the temperature difference between the MAX603/MAX604 die junction and the surrounding

# 5V/3.3V or Adjustable, Low-Dropout, Low I<sub>Q</sub>, 500mA Linear Regulators

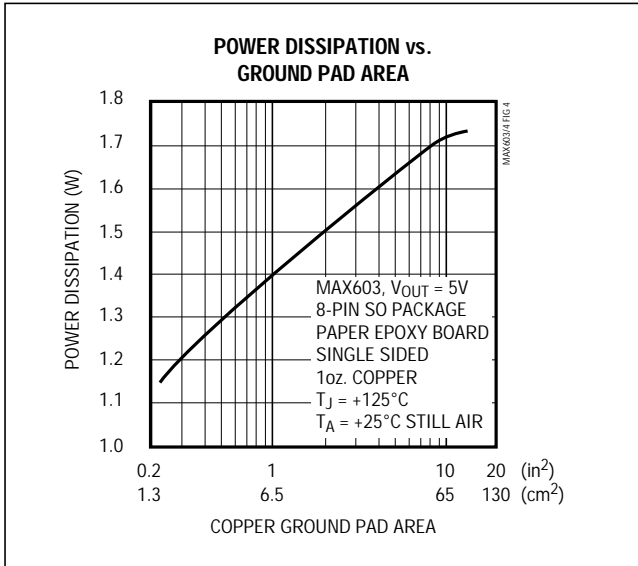


Figure 4. Typical Maximum Power Dissipation vs. Ground Pad Size.

air,  $\theta_{JB}$  (or  $\theta_{JC}$ ) is the thermal resistance of the package chosen, and  $\theta_{BA}$  is the thermal resistance through the printed circuit board, copper traces and other materials to the surrounding air. The 8-pin SOIC package for the MAX603/MAX604 features a special lead frame with a lower thermal resistance and higher allowable power dissipation. The thermal resistance of this package is  $\theta_{JB} = 42^{\circ}\text{C/W}$ , compared with  $\theta_{JB} = 110^{\circ}\text{C/W}$  for an 8-pin plastic DIP package and  $\theta_{JB} = 125^{\circ}\text{C/W}$  for an 8-pin ceramic DIP package.

The GND pins of the MAX603/MAX604 SOIC package perform the dual function of providing an electrical connection to ground and channeling heat away. Connect all GND pins to ground using a large pad or ground plane. Where this is impossible, place a copper plane on an adjacent layer. The pad should exceed the dimensions in Figure 4.

Figure 4 assumes the IC is an 8-pin SOIC package, is soldered directly to the pad, has a +125°C maximum junction temperature and a +25°C ambient air temperature, and has no other heat sources. Use larger pad sizes for other packages, lower junction temperatures, higher ambient temperatures, or conditions where the IC is not soldered directly to the heat-sinking ground pad.

The MAX603/MAX604 can regulate currents up to 500mA and operate with input voltages up to 11.5V, but not simultaneously. High output currents can only be sustained when input-output differential voltages are

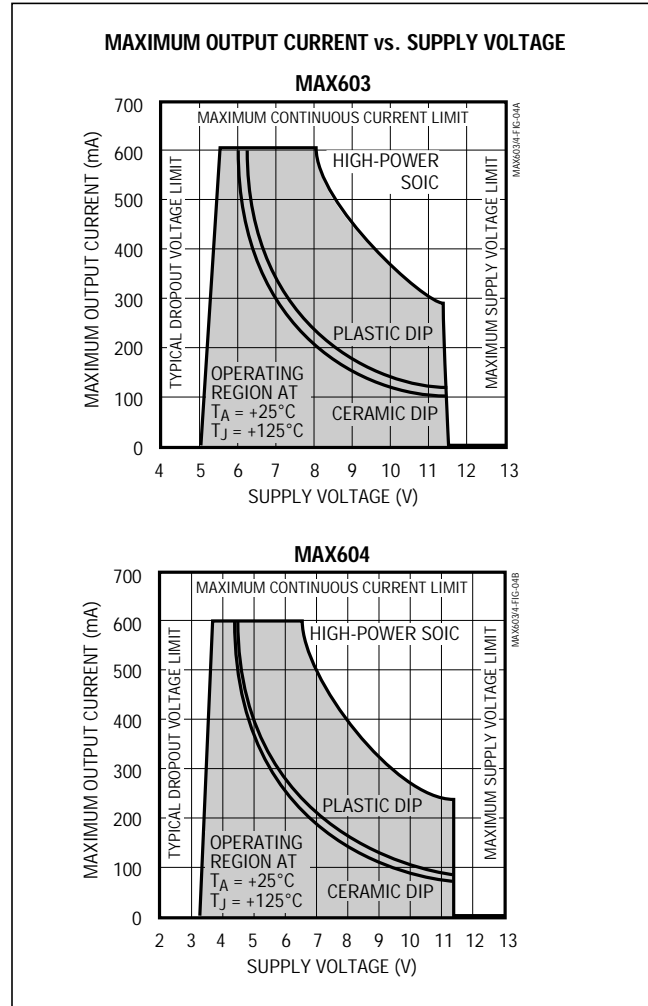


Figure 5. Power Operating Regions: Maximum Output Current vs. Differential Supply Voltage

low, as shown in Figure 5. Maximum power dissipation depends on packaging, board layout, temperature, and air flow. The maximum output current is:

$$I_{OUT(max)} = \frac{P_{MAX} \times (T_J - T_A)}{(V_{IN} - V_{OUT}) \times 100^{\circ}\text{C}}$$

where  $P_{MAX}$  is derived from Figure 4.

### Reverse-Current Protection

The MAX603/MAX604 has a unique protection scheme that limits reverse currents when the input voltage falls below the output. It monitors the voltages on IN and OUT and switches the IC's substrate and power bus to



# 5V/3.3V or Adjustable, Low-Dropout, Low $I_Q$ , 500mA Linear Regulators

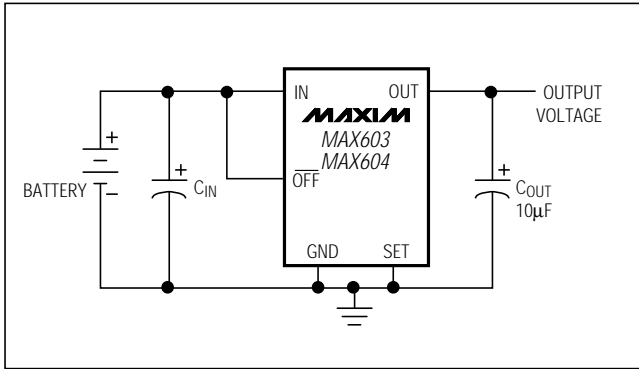


Figure 6. 3.3V or 5V Linear-Regulator Application

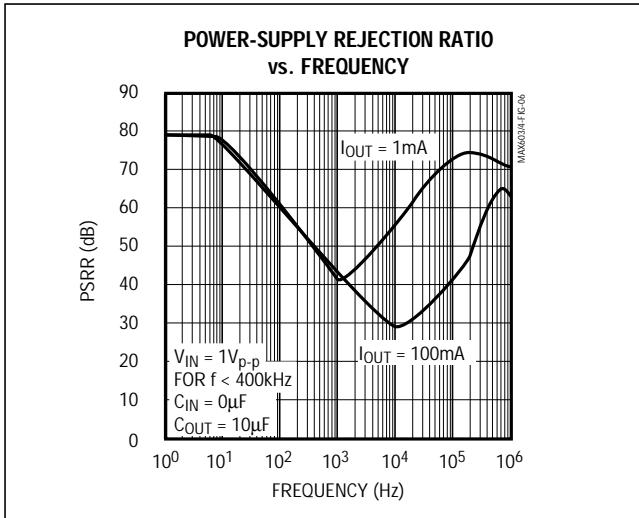


Figure 7. Power-Supply Rejection Ratio vs. Ripple Frequency

the more positive of the two. The control circuitry can then remain functioning and turn the pass transistor off, limiting reverse currents back through the device. This feature allows a backup regulator or battery pack to maintain  $V_{OUT}$  when the supply at IN fails.

Reverse-current protection activates when the voltage on IN falls 6mV (20mV maximum) below the voltage on OUT. Before this happens, currents as high as several milliamperes can flow back through the device. After switchover, typical reverse currents are limited to 0.01µA for as long as the condition exists.

## Applications Information

Figure 6 illustrates the typical application for the MAX603/MAX604.

### Capacitor Selection and Regulator Stability

Normally, use 0.1µF to 10µF capacitors on the input and 10µF on the output of the MAX603/MAX604. The larger input capacitor values provide better supply-noise rejection and line-transient response. Improve load-transient response, stability, and power-supply rejection by using large output capacitors. For stable operation over the full temperature range and with load currents up to 500mA, 10µF is recommended. Using capacitors smaller than 3.3µF can result in oscillation.

### Noise

The MAX603/MAX604 exhibit 3mVp-p to 4mVp-p of noise during normal operation. This is negligible in most applications. When using the MAX603/MAX604 in applications that include analog-to-digital converters of greater than 12 bits, consider the ADC's power-supply rejection specifications. Refer to the output noise plot in the *Typical Operating Characteristics*.

### PSRR and Operation from Sources Other than Batteries

The MAX603/MAX604 are designed to deliver low dropout voltages and low quiescent currents in battery-powered systems. Achieving these objectives requires trading off power-supply noise rejection and swift response to supply variations and load transients. Power-supply rejection is 80dB at low frequencies and rolls off above 10Hz. As the frequency increases above 10kHz, the output capacitor is the major contributor to the rejection of power-supply noise (Figure 7). Do not use power supplies with ripple above 100kHz, especially when the ripple exceeds 100mVp-p. When operating from sources other than batteries, improved supply-noise rejection and transient response can be achieved by increasing the values of the input and output capacitors, and through passive filtering techniques. The *Typical Operating Characteristics* show the MAX603/MAX604 supply and load-transient responses.

### Transient Considerations

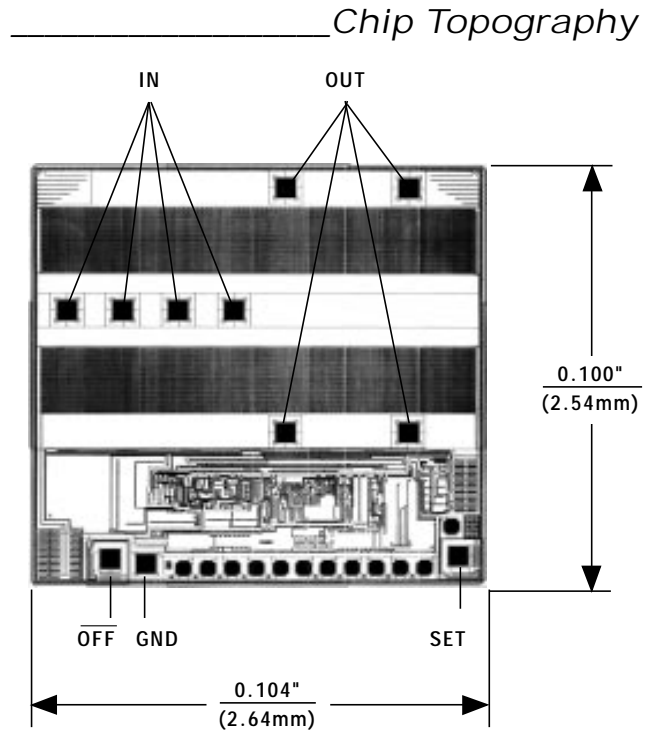
The *Typical Operating Characteristics* show the MAX603/MAX604 load-transient response. Two components of the output response can be observed on the load-transient graphs—a DC shift from the output impedance due to the different load currents, and the transient response. Typical transients for step changes in the load current from 5mA to 500mA are 0.2V. Increasing the output capacitor's value attenuates transient spikes.

## 5V/3.3V or Adjustable, Low-Dropout, Low $I_Q$ , 500mA Linear Regulators

### Input-Output (Dropout) Voltage

A regulator's minimum input-output voltage differential, or dropout voltage, determines the lowest usable supply voltage. In battery-powered systems, this will determine the useful end-of-life battery voltage. Because the MAX603/MAX604 use a P-channel MOSFET pass transistor, their dropout voltage is a function of  $r_{DS(ON)}$  multiplied by the load current (see *Electrical Characteristics*).

Quickly stepping up the input voltage from the dropout voltage can result in overshoot. This occurs when the pass transistor is fully on at dropout and the IC is not given time to respond to the supply voltage change. Prevent this by slowing the input voltage rise time.



TRANSISTOR COUNT: 111

NO DIRECT SUBSTRATE CONNECTION. THE N-SUBSTRATE IS INTERNALLY SWITCHED BETWEEN THE MORE POSITIVE OF IN OR OUT.

# 5V/3.3V or Adjustable, Low-Dropout, Low I<sub>Q</sub>, 500mA Linear Regulators

## Package Information

MAX603/MAX604

**P PACKAGE  
PLASTIC  
DUAL-IN-LINE**

DIM	INCHES		MILLIMETERS	
	MIN	MAX	MIN	MAX
A	–	0.200	–	5.08
A1	0.015	–	0.38	–
A2	0.125	0.175	3.18	4.45
A3	0.055	0.080	1.40	2.03
B	0.016	0.022	0.41	0.56
B1	0.045	0.065	1.14	1.65
C	0.008	0.012	0.20	0.30
D1	0.005	0.080	0.13	2.03
E	0.300	0.325	7.62	8.26
E1	0.240	0.310	6.10	7.87
e	0.100	–	2.54	–
eA	0.300	–	7.62	–
eB	–	0.400	–	10.16
L	0.115	0.150	2.92	3.81

DIM	PINS	INCHES		MILLIMETERS	
		MIN	MAX	MIN	MAX
D	8	0.348	0.390	8.84	9.91
D	14	0.735	0.765	18.67	19.43
D	16	0.745	0.765	18.92	19.43
D	18	0.885	0.915	22.48	23.24
D	20	1.015	1.045	25.78	26.54
D	24	1.14	1.265	28.96	32.13

**S PACKAGE  
SMALL  
OUTLINE**

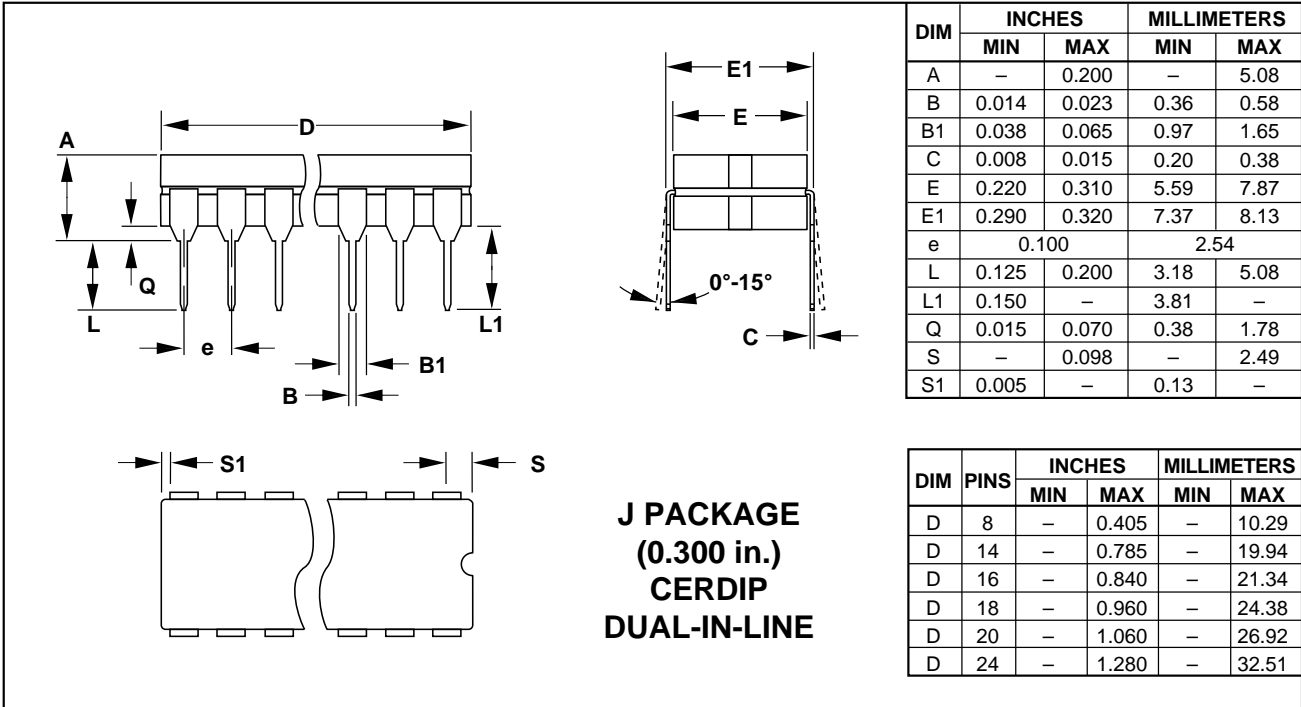
DIM	INCHES		MILLIMETERS	
	MIN	MAX	MIN	MAX
A	0.053	0.069	1.35	1.75
A1	0.004	0.010	0.10	0.25
B	0.014	0.019	0.35	0.49
C	0.007	0.010	0.19	0.25
E	0.150	0.157	3.80	4.00
e	0.050		1.27	
H	0.228	0.244	5.80	6.20
L	0.016	0.050	0.40	1.27

DIM	PINS	INCHES		MILLIMETERS	
		MIN	MAX	MIN	MAX
D	8	0.189	0.197	4.80	5.00
D	14	0.337	0.344	8.55	8.75
D	16	0.386	0.394	9.80	10.00

21-0041A

# 5V/3.3V or Adjustable, Low-Dropout, Low I<sub>Q</sub>, 500mA Linear Regulators

Package Information (continued)



Maxim cannot assume responsibility for use of any circuitry other than circuitry entirely embodied in a Maxim product. No circuit patent licenses are implied. Maxim reserves the right to change the circuitry and specifications without notice at any time.

12 \_\_\_\_\_ Maxim Integrated Products, 120 San Gabriel Drive, Sunnyvale, CA 94086 (408) 737-7600