

MAXIM

Microprocessor Monitor

MAX1232

General Description

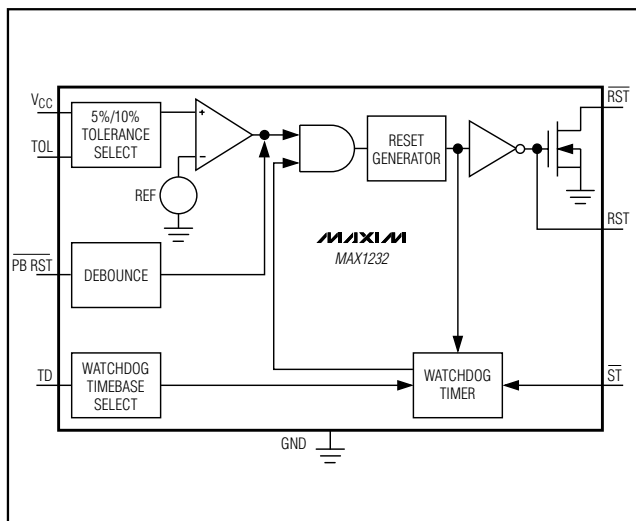
The MAX1232 microprocessor (μ P) supervisory circuit provides μ P housekeeping and power-supply supervision functions while consuming only 1/10th the power of the DS1232. The MAX1232 enhances circuit reliability in μ P systems by monitoring the power supply, monitoring the software execution, and providing a debounced manual reset input. The MAX1232 is a plug-in upgrade of the Dallas DS1232.

A reset pulse of at least 250ms duration is supplied on power-up, power-down, and low-voltage brownout conditions (5% or 10% supply tolerances can be selected digitally). Also featured is a debounced manual reset input that forces the reset outputs to their active states for a minimum of 250ms. A digitally programmable watchdog timer monitors software execution and can be programmed for timeout settings of 150ms, 600ms, or 1.2s. The MAX1232 requires no external components.

Applications

Computers
 Controllers
 Intelligent Instruments
 Automotive Systems
 Critical μ P Power Monitoring

Typical Operating Circuit



Features

- ◆ Consumes 1/10th the Power of the DS1232
- ◆ Precision Voltage Monitor—Adjustable +4.5V or +4.75V
- ◆ Power-OK/Reset Pulse Width—250ms Min
- ◆ No External Components
- ◆ Adjustable Watchdog Timer—150ms, 600ms, or 1.2s
- ◆ Debounced Manual Reset Input for External Override
- ◆ Available in 8-Pin PDIP/SO and 16-Pin Wide SO Packages

Ordering Information

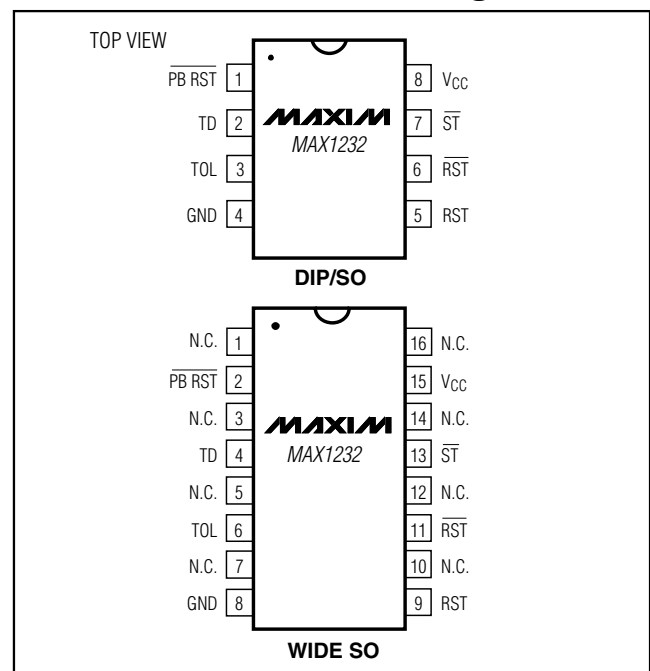
| PART | TEMP RANGE | PIN-PACKAGE |
|------------|--------------|-------------|
| MAX1232C/D | 0°C to +70°C | Dice* |
| MAX1232CPA | 0°C to +70°C | 8 PDIP |
| MAX1232CSA | 0°C to +70°C | 8 SO |

Ordering Information continued on last page.

*Contact factory for dice specifications.

Devices in PDIP and SO packages are available in both leaded and lead-free packaging. Specify lead free by adding the + symbol at the end of the part number when ordering. Lead free not available for CERDIP package.

Pin Configurations



MAXIM

Maxim Integrated Products 1

For pricing, delivery, and ordering information, please contact Maxim/Dallas Direct! at 1-888-629-4642, or visit Maxim's website at www.maxim-ic.com.

Microprocessor Monitor

ABSOLUTE MAXIMUM RATINGS

Voltage on Any Pin (with respect to GND).....-1V to +7V
 Operating Temperature Range
 C Suffix0°C to +70°C
 E Suffix.....-40°C to +85°C
 M Suffix-55°C to +125°C

Storage Temperature Range.....-65°C to +160°C
 Lead Temperature (soldering, 10s).....+300°C

Stresses beyond those listed under "Absolute Maximum Ratings" may cause permanent damage to the device. These are stress ratings only, and functional operation of the device at these or any other conditions beyond those indicated in the operational sections of the specifications is not implied. Exposure to absolute maximum rating conditions for extended periods may affect device reliability.

Recommended DC Operating Conditions

($T_A = T_{MIN}$ to T_{MAX})

| PARAMETER | SYMBOL | CONDITIONS | MIN | TYP | MAX | UNITS |
|--|----------|------------|------|-----|----------------|-------|
| Supply Voltage | V_{CC} | | 4.5 | 5.0 | 5.5 | V |
| \overline{ST} and \overline{PBRST} Input High Level (Note 1) | V_{IH} | | 2.0 | | $V_{CC} + 0.3$ | V |
| \overline{ST} and \overline{PBRST} Input Low Level | V_{IL} | | -0.3 | | +0.8 | V |

DC Electrical Characteristics

($V_{CC} = +4.5V$ to $+5.5V$, $T_A = T_{MIN}$ to T_{MAX})

| PARAMETER | SYMBOL | CONDITIONS | MIN | TYP | MAX | UNITS |
|--------------------------------------|------------|-----------------|------|------|------|---------|
| Input Leakage \overline{ST} , TOL | I_{IL} | | -1.0 | | +1.0 | μA |
| Output Current RST | I_{OH} | $V_{OH} = 2.4V$ | -1.0 | -12 | | mA |
| Output Current RST, \overline{RST} | I_{OL} | $V_{OL} = 0.4V$ | 2.0 | 10 | | mA |
| Operating Current (Note 2) | I_{CC} | | | 50 | 200 | μA |
| V_{CC} 5% Trip Point (Note 3) | V_{CCTP} | TOL = GND | 4.50 | 4.62 | 4.74 | V |
| V_{CC} 10% Trip Point (Note 3) | V_{CCTP} | TOL = V_{CC} | 4.25 | 4.37 | 4.49 | V |

Capacitance (Note 4)

($T_A = +25^\circ C$)

| PARAMETER | SYMBOL | CONDITIONS | MIN | TYP | MAX | UNITS |
|--|-----------|------------|-----|-----|-----|-------|
| Input Capacitance \overline{ST} , TOL | C_{IN} | | | | 5 | pF |
| Output Capacitance RST, \overline{RST} | C_{OUT} | | | | 7 | pF |

Microprocessor Monitor

AC Electrical Characteristics

($V_{CC} = +5V \pm 10\%$, $T_A = T_{MIN}$ to T_{MAX})

| PARAMETER | SYMBOL | CONDITIONS | MIN | TYP | MAX | UNITS |
|---|-----------|----------------------------|------|------|------|---------|
| \overline{PBRST} (Note 5) | t_{PB} | Figure 3 | 20 | | | ms |
| \overline{PBRST} Delay | t_{PBD} | Figure 3 | 1 | 4 | 20 | ms |
| Reset Active Time | t_{RST} | | 250 | 610 | 1000 | ms |
| \overline{ST} Pulse Width | t_{ST} | Figure 4 | 75 | | | ns |
| \overline{ST} Timeout Period | t_{TD} | Figure 4, TD pin = 0V | 62.5 | 150 | 250 | ms |
| | | TD pin = open | 250 | 600 | 1000 | |
| | | TD pin = V_{CC} | 500 | 1200 | 2000 | |
| V_{CC} Fall Time (Note 4) | t_F | Figure 5 | 10 | | | μs |
| V_{CC} Rise Time (Note 4) | t_B | Figure 6 | 0 | | | μs |
| V_{CC} Detect to RST High and \overline{RST} Low | t_{BPD} | Figure 7, V_{CC} falling | | | 100 | ns |
| V_{CC} Detect to RST Low and \overline{RST} Open (Note 6) | t_{BPU} | Figure 8, V_{CC} rising | 250 | 610 | 1000 | ms |

Note 1: \overline{PBRST} is internally pulled up to V_{CC} with an internal impedance of typically 40k Ω .

Note 2: Measured with outputs open.

Note 3: All voltages referenced to GND.

Note 4: Guaranteed by desing.

Note 5: \overline{PBRST} must be held low for a minimum of 20ms to guarantee a reset.

Note 6: $t_R = 5\mu s$.

Pin Description

| PIN | | NAME | FUNCTION |
|----------------------------|--------|--------------------|---|
| WIDE SO | DIP/SO | | |
| 1, 3, 5, 7, 10, 12, 14, 16 | — | N.C. | No Connection |
| 2 | 1 | \overline{PBRST} | Pushbutton Reset Input. A debounced active-low input that ignores pulses less than 1ms in duration and is guaranteed to recognize inputs of 20ms or greater. |
| 4 | 2 | TD | Time Delay Set. The watchdog timebase select input ($t_{TD} = 150ms$ for TD = 0V, $t_{TD} = 600ms$ for TD = open, $t_{TD} = 1.2s$ for TD = V_{CC}). |
| 6 | 3 | TOL | Tolerance Input. Connect to GND for 5% tolerance or to V_{CC} for 10% tolerance. |
| 8 | 4 | GND | Ground |
| 9 | 5 | RST | Reset Output (Active High). Goes active: (1) If V_{CC} falls below the selected reset voltage threshold (2) If \overline{PBRST} is forced low (3) If \overline{ST} is not strobed within the minimum timeout period (4) During power-up |
| 11 | 6 | \overline{RST} | Reset Output (Active Low, Open-Drain). See RST. |
| 13 | 7 | \overline{ST} | Strobe Input. Input for watchdog timer. |
| 15 | 8 | V_{CC} | The +5V Power-Supply Input |

Microprocessor Monitor

Detailed Description

Power Monitor

A voltage detector monitors V_{CC} and holds the reset outputs (RST and \overline{RST}) in their active states whenever V_{CC} is below the selected 5% or 10% tolerance (4.62V or 4.37V, typically). To select the 5% level, connect TOL to ground. To select the 10% level, connect TOL to V_{CC} . The reset outputs will remain in their active states until V_{CC} has been continuously in-tolerance for a minimum of 250ms (the reset active time) to allow the power supply and μP to stabilize.

The RST output both sinks and sources current, while the \overline{RST} output, an open-drain MOSFET, sinks current only and must be pulled high.

Pushbutton Reset Input

The MAX1232's debounced manual reset input (\overline{PBRST}) manually forces the reset outputs into their active states. The reset outputs go active after \overline{PBRST} has been held low for a time t_{PBD} , the pushbutton reset delay time. The reset outputs remain in their active states for a minimum of 250ms after \overline{PBRST} rises above V_{IH} (Figure 3).

A mechanical pushbutton or an active logic signal can drive the \overline{PBRST} input. The debounced input ignores input pulses less than 1ms and is guaranteed to recognize pulses of 20ms or greater. The \overline{PBRST} input has an internal pullup to V_{CC} of about 100 μA ; therefore, an external pullup resistor is not necessary.

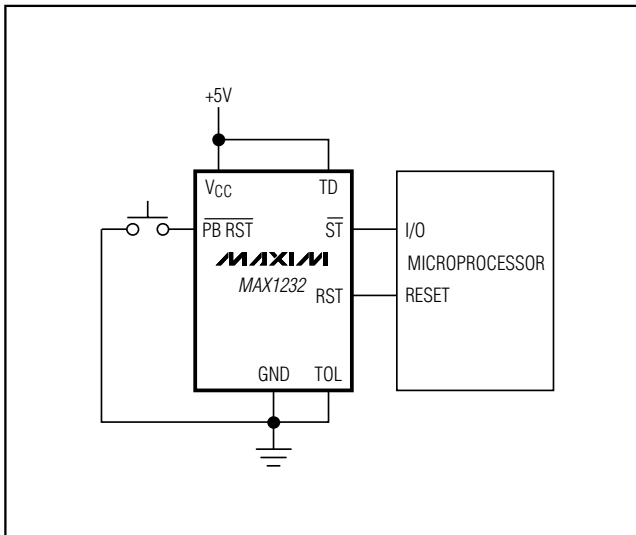


Figure 1. Pushbutton Reset

Watchdog Timer

The microprocessor drives the \overline{ST} input with an input/output (I/O) line. The microprocessor must toggle the \overline{ST} input within a set period (as determined by TD) to verify proper software execution. If a hardware or software failure keeps \overline{ST} from toggling within the minimum timeout period— \overline{ST} is activated only by falling edges (a high-to-low transition)—the MAX1232 reset outputs are forced to their active states for 250ms (Figure 2). This typically initiates the microprocessor's power-up routine. If the interruption continues, new reset pulses are generated each timeout period until \overline{ST} is strobed. The timeout period is determined by the TD input connection. This timeout period is typically 150ms with TD connected to GND, 600ms with TD floating, or 1200ms with TD connected to V_{CC} .

The software routine that strobes \overline{ST} is critical. The code must be in a section of software that executes frequently enough so the time between toggles is less than the watchdog timeout period. One common technique controls the microprocessor I/O line from two sections of the program. The software might set the I/O line high while operating in the foreground mode, and set it low while in the background or interrupt mode. If both modes do not execute correctly, the watchdog timer issues reset pulses.

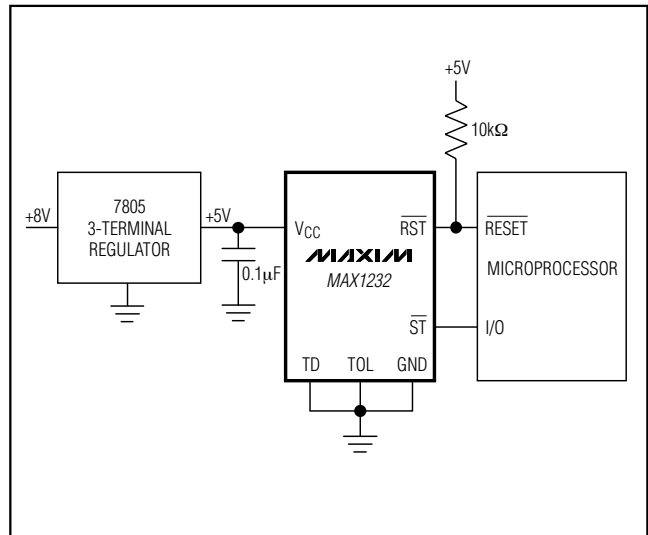


Figure 2. Watchdog Timer

Microprocessor Monitor

MAX1232

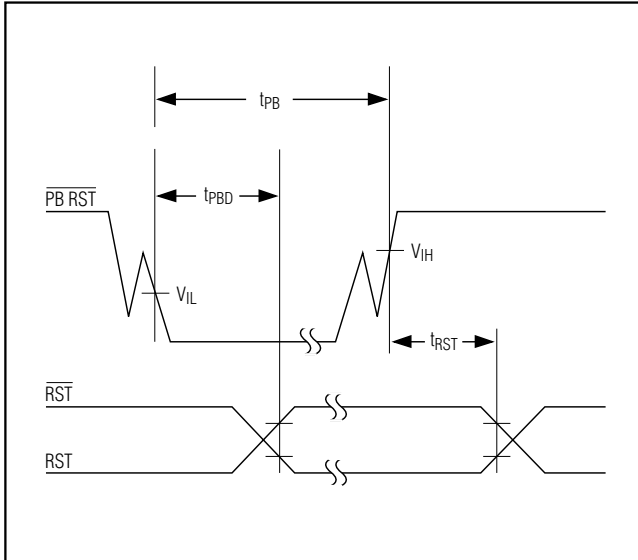


Figure 3. Pushbutton Reset. The debounced PBRST input ignores input pulses less than 1ms and is guaranteed to recognize pulses of 20ms or greater.

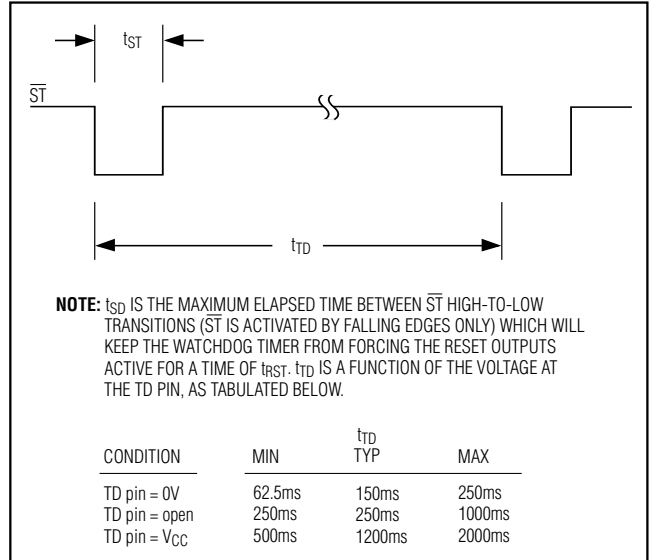


Figure 4. Watchdog Strobe Input

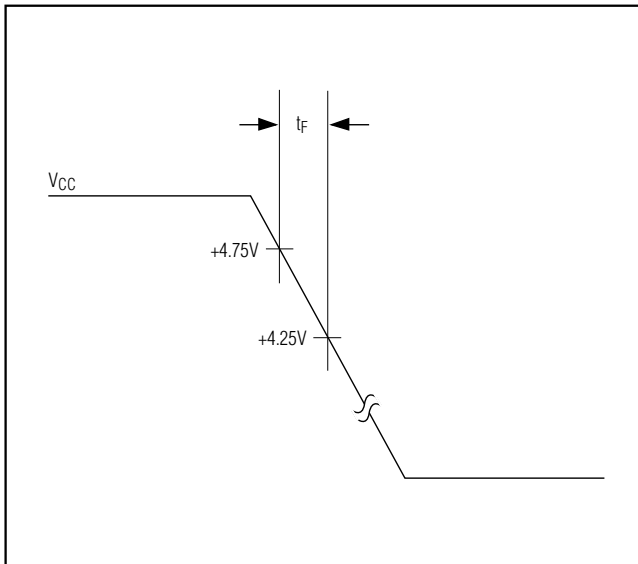


Figure 5. Power-Down Slew Rate

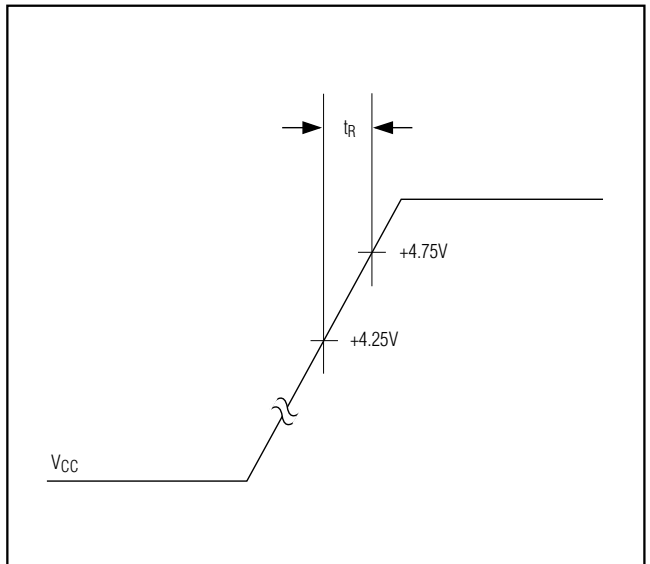


Figure 6. Power-Up Slew Rate

Microprocessor Monitor

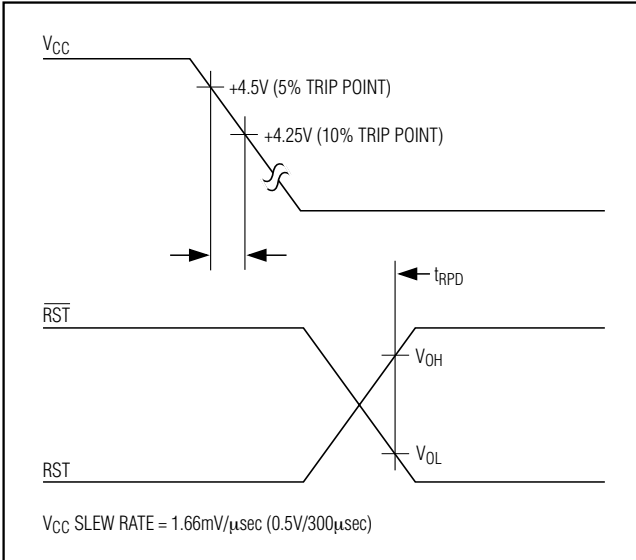


Figure 7. VCC Detect Reset Output Delay (Power-Down)

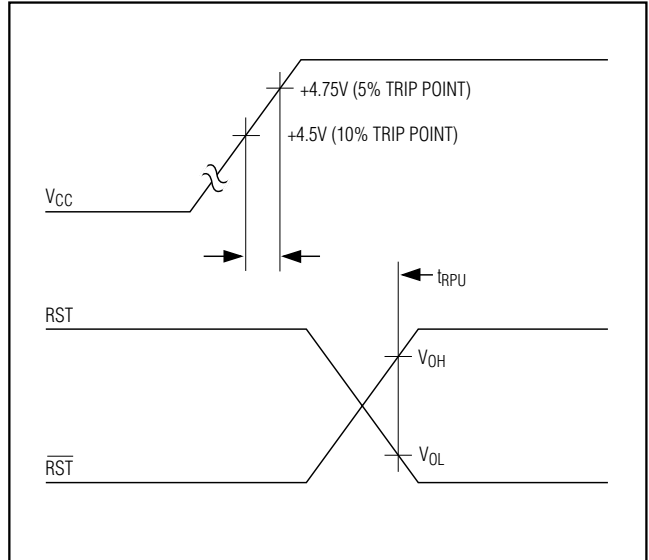
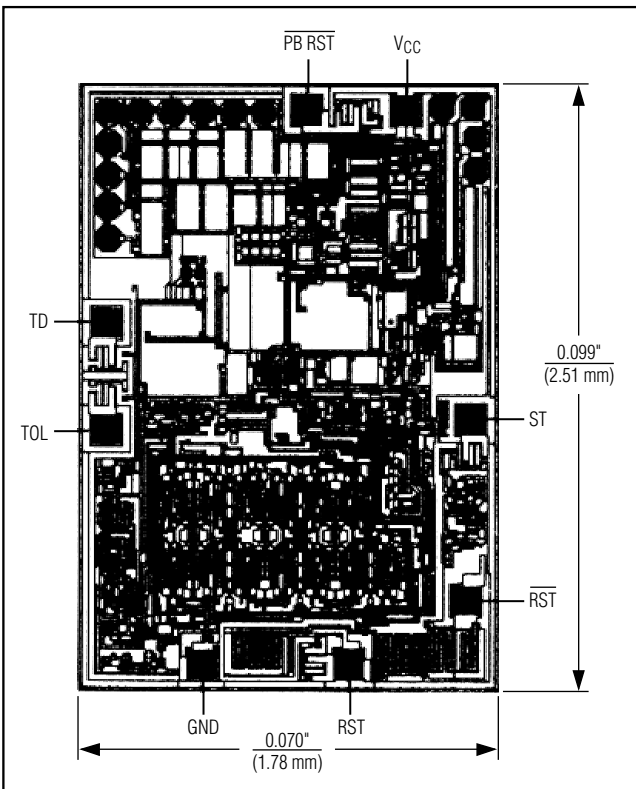


Figure 8. VCC Detect Reset Output Delay (Power-Up)

Chip Topography



Ordering Information (continued)

| PART | TEMP RANGE | PIN-PACKAGE |
|------------|-----------------|-------------|
| MAX1232CWE | 0°C to +70°C | 16 Wide SO |
| MAX1232EPA | -40°C to +85°C | 8 PDIP |
| MAX1232ESA | -40°C to +85°C | 8 SO |
| MAX1232EWE | -40°C to +85°C | 16 Wide SO |
| MAX1232MJA | -55°C to +125°C | 8 CERDIP |

Ordering information continued on last page.

*Contact factory for dice specifications.

Devices in PDIP and SO packages are available in both leaded and lead-free packaging. Specify lead free by adding the + symbol at the end of the part number when ordering. Lead free not available for CERDIP package.

Package Information

For the latest package outline information, go to

www.maxim-ic.com/packages.