

FEATURES

- Excellent Speed: 8 V/ μ s Typ**
- Low Noise: 11 nV/ $\sqrt{\text{Hz}}$ @ 1 kHz Max**
- Unity-Gain Stable**
- High Gain Bandwidth: 6.5 MHz Typ**
- Low Input Offset Voltage: 0.8 mV Max**
- Low Offset Voltage Drift: 4 μ V/ $^{\circ}$ C Max**
- High Gain: 500 V/mV Min**
- Outstanding CMR: 105 dB Min**
- Industry Standard Quad Pinouts**

GENERAL DESCRIPTION

The OP471 is a monolithic quad op amp featuring low noise, 11 nV/ $\sqrt{\text{Hz}}$ Max @ 1 kHz, excellent speed, 8 V/ μ s typical, a gain bandwidth of 6.5 MHz, and unity-gain stability.

The OP471 has an input offset voltage under 0.8 mV and an input offset voltage drift below 4 μ V/ $^{\circ}$ C, guaranteed over the full military temperature range. Open-loop gain of the OP471 is over 500,000 into a 10 k Ω load ensuring outstanding gain accuracy and linearity. The input bias current is under 25 nA limiting errors due to signal source resistance. The OP471's CMR of over 105 dB and PSRR of under 5.6 μ V/V significantly reduce errors caused by ground noise and power supply fluctuations.

The OP471 offers excellent amplifier matching which is important for applications such as multiple gain blocks, low-noise instrumentation amplifiers, quad buffers and low-noise active filters.

The OP471 conforms to the industry standard 14-lead DIP pinout. It is pin-compatible with the LM148/LM149, HA4741, RM4156, MC33074, TL084 and TL074 quad op amps and can be used to upgrade systems using these devices.

For applications requiring even lower voltage noise the OP470 with a voltage density of 5 nV/ $\sqrt{\text{Hz}}$ Max @ 1 kHz is recommended.

PIN CONFIGURATIONS

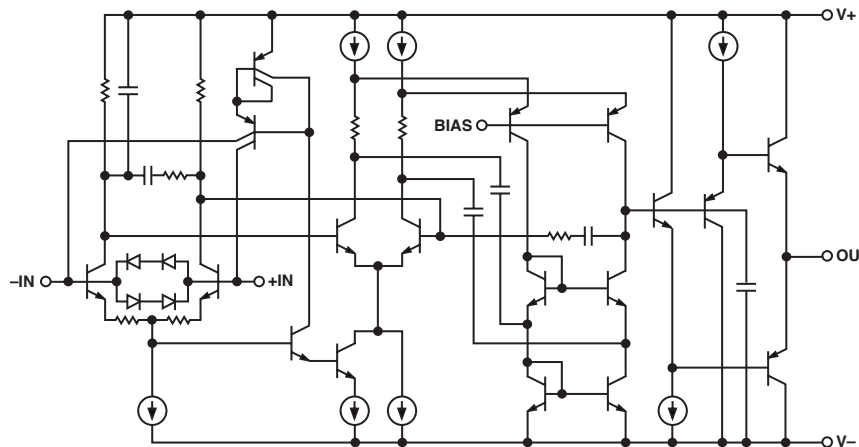
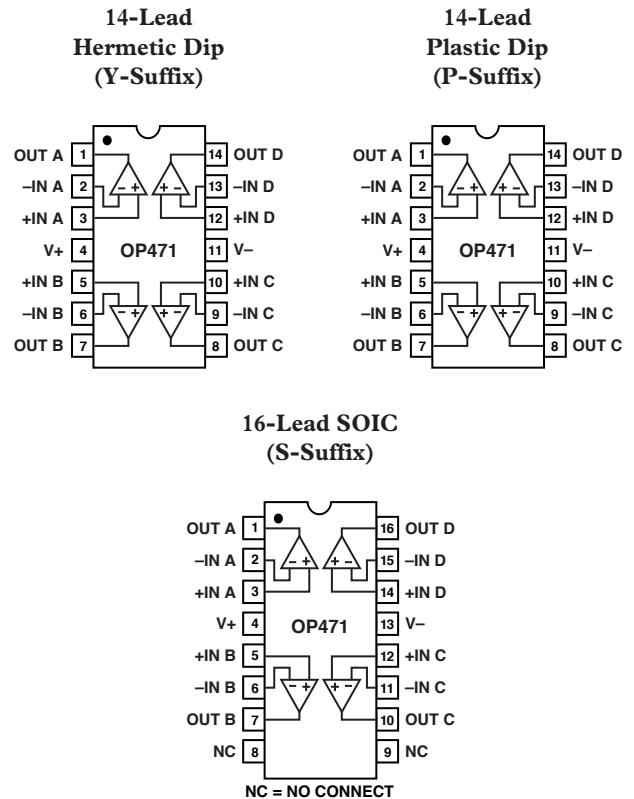


Figure 1. Simplified Schematic

REV. A

Information furnished by Analog Devices is believed to be accurate and reliable. However, no responsibility is assumed by Analog Devices for its use, nor for any infringements of patents or other rights of third parties that may result from its use. No license is granted by implication or otherwise under any patent or patent rights of Analog Devices.

OP471—SPECIFICATIONS

ELECTRICAL CHARACTERISTICS (@ $V_S = \pm 15\text{ V}$, $T_A = 25^\circ\text{C}$, unless otherwise noted.)

| Parameter | Symbol | Conditions | OP471E | | | OP471F | | | OP471G | | | Unit |
|--|------------|---|----------|----------|-----|----------|----------|-----|----------|----------|------------------------------|------|
| | | | Min | Typ | Max | Min | Typ | Max | Min | Typ | Max | |
| Input Offset Voltage | V_{OS} | | 0.25 | 0.8 | | 0.5 | 1.5 | | 1.0 | 1.8 | mV | |
| Input Offset Current | I_{OS} | $V_{CM} = 0\text{ V}$ | 4 | 10 | | 7 | 20 | | 12 | 30 | nA | |
| Input Bias Current | I_B | $V_{CM} = 0\text{ V}$ | 7 | 25 | | 15 | 50 | | 25 | 60 | nA | |
| Input Noise Voltage ¹ | e_n p-p | 0.1 Hz to 10 Hz | 250 | 500 | | 250 | 500 | | 250 | 500 | nV p-p | |
| Input Noise Voltage Density ² | e_n | $f_O = 10\text{ Hz}$ | 9 | 16 | | 9 | 16 | | 9 | 16 | $\text{nV}/\sqrt{\text{Hz}}$ | |
| | | $f_O = 100\text{ Hz}$ | 7 | 12 | | 7 | 12 | | 7 | 12 | $\text{nV}/\sqrt{\text{Hz}}$ | |
| | | $f_O = 1\text{ kHz}$ | 6.5 | 11 | | 6.5 | 11 | | 6.5 | 11 | $\text{nV}/\sqrt{\text{Hz}}$ | |
| Input Noise Current Density | i_n | $f_O = 10\text{ Hz}$ | 1.7 | | | 1.7 | | | 1.7 | | $\text{pA}/\sqrt{\text{Hz}}$ | |
| | | $f_O = 100\text{ Hz}$ | 0.7 | | | 0.7 | | | 0.7 | | $\text{pA}/\sqrt{\text{Hz}}$ | |
| | | $f_O = 1\text{ kHz}$ | 0.4 | | | 0.4 | | | 0.4 | | $\text{pA}/\sqrt{\text{Hz}}$ | |
| Large-Signal Voltage Gain | A_{VO} | $V = \pm 10\text{ V}$ | 500 | 700 | | 300 | 500 | | 300 | 500 | V/mV | |
| | | $R_L = 10\text{ k}\Omega$ $R_L = 2\text{ k}\Omega$ | 350 | 550 | | 175 | 275 | | 175 | 275 | V/mV | |
| Input Voltage Range ³ | IVR | | ± 11 | ± 12 | | ± 11 | ± 12 | | ± 11 | ± 12 | V | |
| Output Voltage Swing | V_O | $R_L \geq 2\text{ k}\Omega$ | ± 12 | ± 13 | | ± 12 | ± 13 | | ± 12 | ± 13 | V | |
| Common-Mode Rejection | CMR | $V_{CM} = \pm 11\text{ V}$ | 105 | 120 | | 95 | 115 | | 95 | 115 | dB | |
| Power Supply Rejection Ratio | PSRR | $V_S = 4.5\text{ V to }18\text{ V}$ | 1 | 5.6 | | 5.6 | 17.8 | | 5.6 | 17.8 | $\mu\text{V/V}$ | |
| Slew Rate | SR | | 6.5 | 8 | | 6.5 | 8 | | 6.5 | 8 | V/ μs | |
| Supply Current (All Amplifiers) | I_{SY} | No Load | 9.2 | 11 | | 9.2 | 11 | | 9.2 | 11 | mA | |
| Gain Bandwidth Product | GBW | $A_v = 10$ | 6.5 | | | 6.5 | | | 6.5 | | MHz | |
| Channel Separation ¹ | CS | $V_O = 20\text{ V p-p}$ $f_O = 10\text{ Hz}$ | 125 | 150 | | 125 | 150 | | 125 | 150 | dB | |
| Input Capacitance | C_{IN} | | 2.6 | | | 2.6 | | | 2.6 | | pF | |
| Input Resistance Differential-Mode | R_{IN} | | 1.1 | | | 1.1 | | | 1.1 | | M Ω | |
| Input Resistance Common-Mode | R_{INCM} | | 11 | | | 11 | | | 11 | | G Ω | |
| Settling Time | t_S | $A_v = 1$ | 4.5 | | | 4.5 | | | 4.5 | | μs | |
| | | To 0.1% To 0.01% | 7.5 | | | 7.5 | | | 7.5 | | μs | |

NOTES

¹Guaranteed but not 100% tested.

²Sample tested.

³Guaranteed by CMR test.

ELECTRICAL CHARACTERISTICS ($V_s = \pm 15\text{ V}$, $-25^\circ\text{C} \leq T_A \leq 85^\circ\text{C}$ for OP471E/F, $-40^\circ\text{C} \leq T_A \leq 85^\circ$ for OP471G, unless otherwise noted.)

| Parameter | Symbol | Conditions | OP471E | | | OP471F | | | OP471G | | | Unit |
|------------------------------------|------------|--|------------|------------|-----|------------|------------|-----|------------|------------|------------------------------|------|
| | | | Min | Typ | Max | Min | Typ | Max | Min | Typ | Max | |
| Input Offset Voltage | V_{OS} | | 0.3 | 1.1 | | 0.6 | 2.0 | | 1.2 | 2.5 | mV | |
| Average Input Offset Voltage Drift | TCV_{OS} | | 1 | 4 | | 2 | 7 | | 4 | | $\mu\text{V}/^\circ\text{C}$ | |
| Input Offset Current | I_{OS} | $V_{CM} = 0\text{ V}$ | 5 | 20 | | 8 | 40 | | 20 | 50 | nA | |
| Input Bias Current | I_B | $V_{CM} = 0\text{ V}$ | 13 | 50 | | 25 | 70 | | 40 | 75 | nA | |
| Large-Signal Voltage Gain | A_{VO} | $V_O = \pm 10\text{ V}$ $R_L = 10\text{ k}\Omega$ $R_L = 2\text{ k}\Omega$ | 375 250 | 600 400 | | 200 125 | 400 200 | | 200 125 | 400 200 | V/mV | |
| Input Voltage Range* | IVR | | ± 11 | ± 12 | | ± 11 | ± 12 | | ± 11 | ± 12 | V | |
| Output Voltage Swing | V_O | $R_L \geq 2\text{ k}\Omega$ | ± 12 | ± 13 | | ± 12 | ± 13 | | ± 12 | ± 13 | V | |
| Common-Mode Rejection | CMR | $V_{CM} = \pm 11\text{ V}$ | 100 | 115 | | 90 | 110 | | 90 | 110 | dB | |
| Power Supply Rejection Ratio | PSRR | $V_S = \pm 4.5\text{ V}$ to $\pm 18\text{ V}$ | 3.2 | 10 | | 18 | 31.6 | | 18 | 31.6 | $\mu\text{V}/\text{V}$ | |
| Supply Current (All Amplifiers) | I_{SY} | No Load | 9.3 | 11 | | 9.3 | 11 | | 9.3 | 11 | mA | |

*Guaranteed by CMR test.

ABSOLUTE MAXIMUM RATINGS¹

| | |
|--|---|
| Supply Voltage | $\pm 18\text{ V}$ |
| Differential Input Voltage ² | $\pm 1.0\text{ V}$ |
| Differential Input Current ² | $\pm 25\text{ mW}$ |
| Input Voltage | Supply Voltage |
| Output Short-Circuit Duration | Continuous |
| Storage Temperature Range | |
| P, Y-Package | -65°C to $+150^\circ\text{C}$ |
| Lead Temperature Range (Soldering, 60 sec) | 300°C |
| Junction Temperature (T_j) | -65°C to $+150^\circ\text{C}$ |
| Operating Temperature Range | |
| OP471E, OP471F | -25°C to $+85^\circ\text{C}$ |
| OP471G | -40°C to $+85^\circ\text{C}$ |

NOTES

- ¹Absolute Maximum Ratings apply to packaged parts, unless otherwise noted.
- ²The OP471's inputs are protected by back-to-back diodes. Current limiting resistors are not used in order to achieve low noise performance. If differential voltage exceeds $\pm 1.0\text{ V}$, the input current should be limited to $\pm 25\text{ mA}$.

| Package Type | θ_{JA} * | θ_{JC} | Unit |
|-------------------------|-----------------|---------------|---------------------------|
| 14-Lead Hermetic DIP(Y) | 94 | 10 | $^\circ\text{C}/\text{W}$ |
| 14-Lead Plastic DIP(P) | 76 | 33 | $^\circ\text{C}/\text{W}$ |
| 16-Lead SOIC (S) | 88 | 23 | $^\circ\text{C}/\text{W}$ |

* θ_{JA} is specified for worst-case mounting conditions, i.e., θ_{JA} is specified for device in socket for TO, Cerdip, PDIP packages; θ_{JA} is specified for device soldered to printed circuit board for SO packages.

ORDERING GUIDE

| $T_A = 25^\circ\text{C}$ $V_{OS}\text{ MAX}$ (μV) | Package Options | | Operating Temperature Range |
|--|-----------------|---------|-----------------------------|
| | 14-Lead Cerdip | Plastic | |
| 800 | OP471EY | | IND |
| 1,500 | OP471FY* | | IND |
| 1,800 | | OP471GP | XIND |
| 1,800 | | OP471GS | XIND |

*Not for new design. Obsolete April 2002.

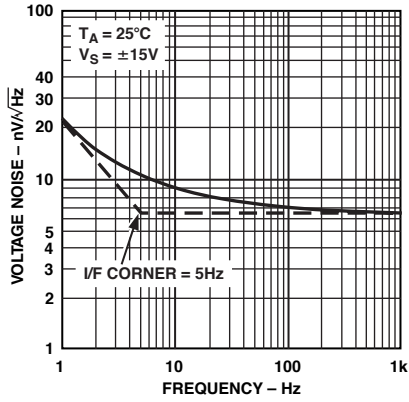
For military processed devices, please refer to the standard microcircuit drawing (SMD) available at www.dscc.dla.mil/programs/milspec/default.asp
 5962-88565022A - OP471ARCMDA
 5962-88565023A - OP471ATCMDA
 5962-8856502CA - OP471AYMDA

CAUTION

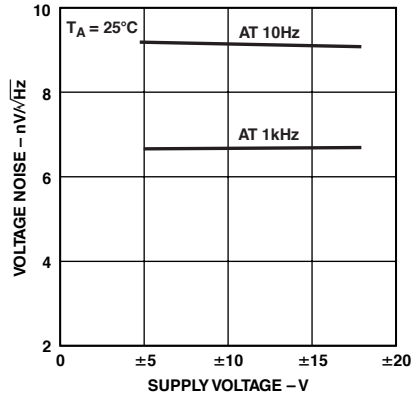
ESD (electrostatic discharge) sensitive device. Electrostatic charges as high as 4000 V readily accumulate on the human body and test equipment and can discharge without detection. Although the OP471 features proprietary ESD protection circuitry, permanent damage may occur on devices subjected to high-energy electrostatic discharges. Therefore, proper ESD precautions are recommended to avoid performance degradation or loss of functionality.



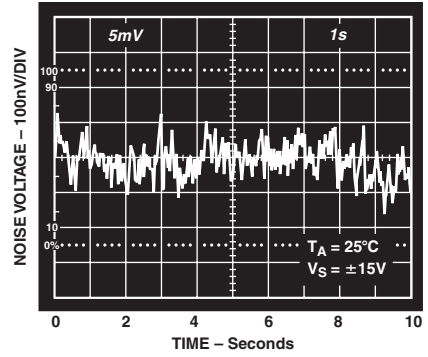
OP471—Typical Performance Characteristics



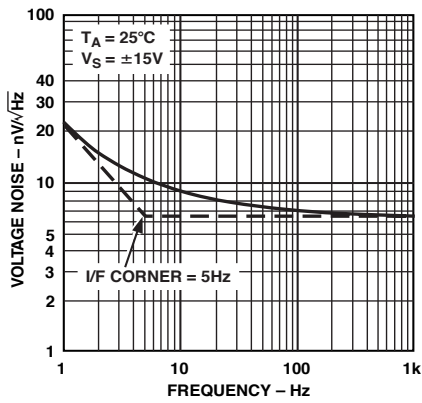
TPC 1. Voltage Noise Density vs. Frequency



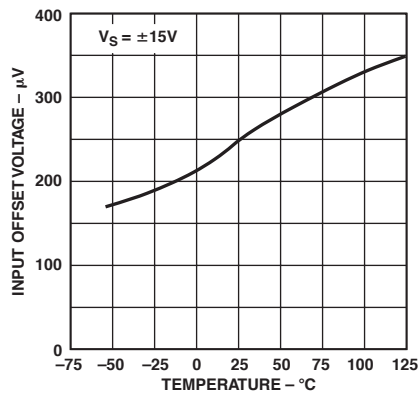
TPC 2. Voltage Noise Density vs. Supply Voltage



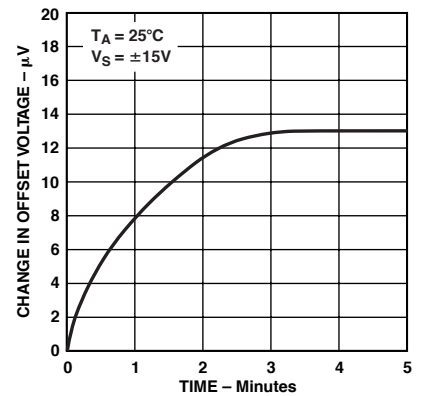
TPC 3. 0.1 Hz to 10 Hz Noise



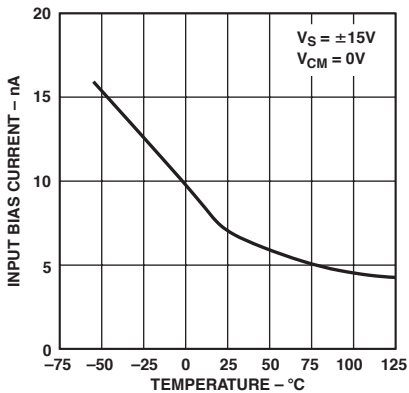
TPC 4. Current Noise Density vs. Frequency



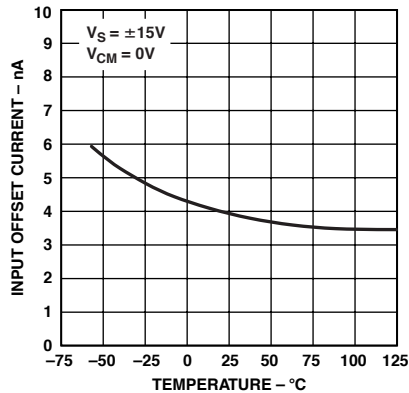
TPC 5. Input Offset Voltage vs. Temperature



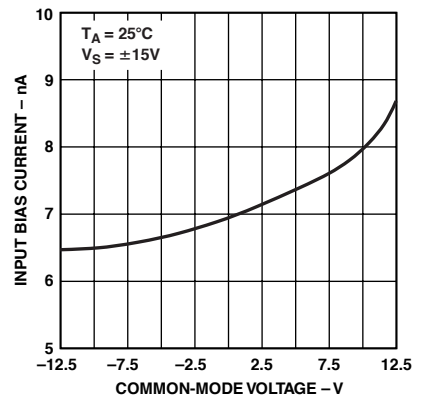
TPC 6. Warm-Up Offset Voltage Drift



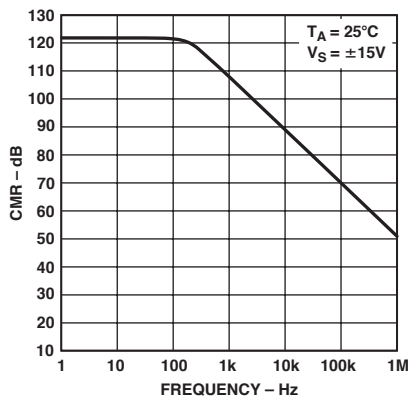
TPC 7. Input Bias Current vs. Temperature



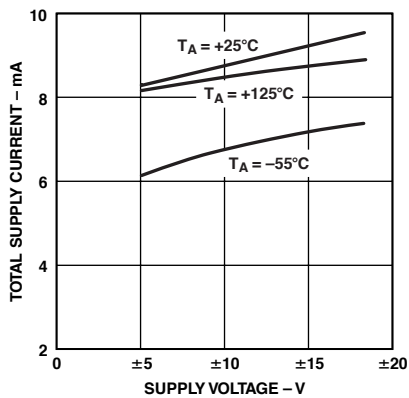
TPC 8. Input Offset Current vs. Temperature



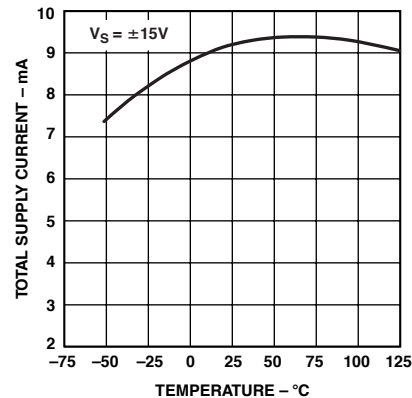
TPC 9. Input Bias Current vs. Common-Mode Voltage



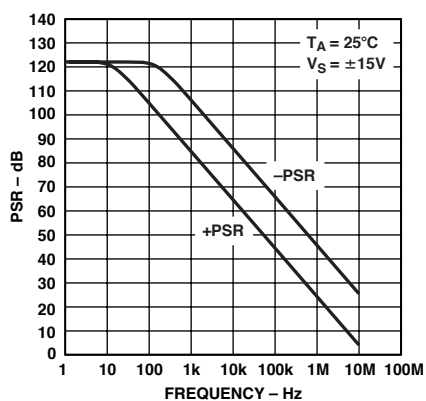
TPC 10. CMR vs. Frequency



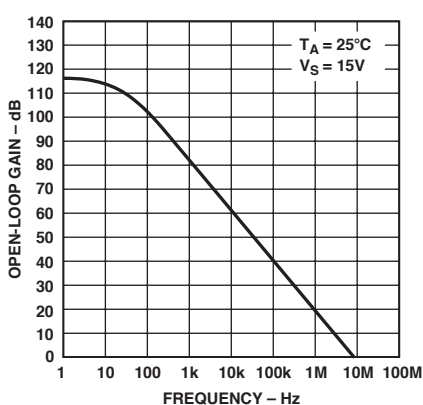
TPC 11. Total Supply Current vs. Supply Voltage



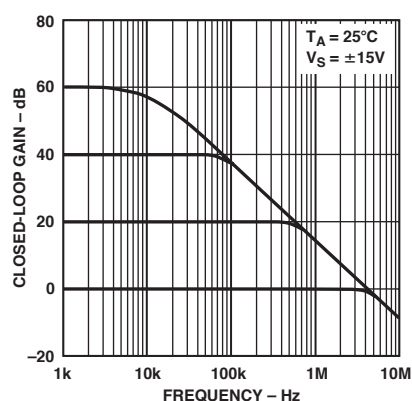
TPC 12. Total Supply Current vs. Temperature



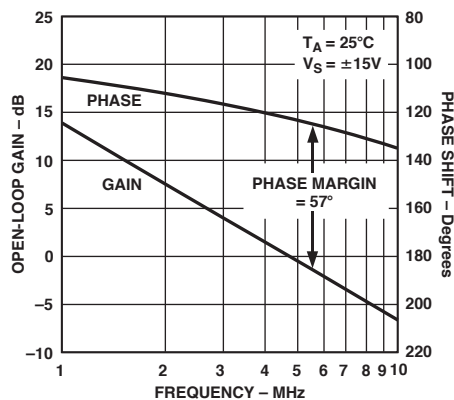
TPC 13. PSR vs. Frequency



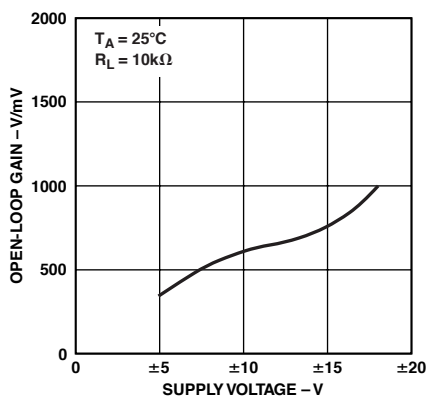
TPC 14. Open-Loop Gain vs. Frequency



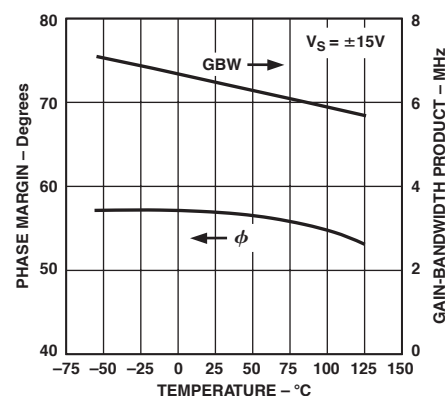
TPC 15. Closed-Loop Gain vs. Frequency



TPC 16. Open-Loop Gain, Phase Shift vs. Frequency

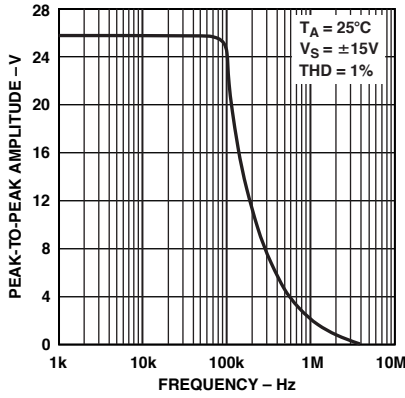


TPC 17. Open-Loop Gain vs. Supply Voltage

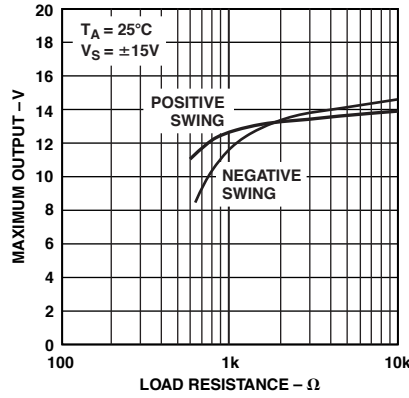


TPC 18. Gain-Bandwidth Product, Phase Margin vs. Temperature

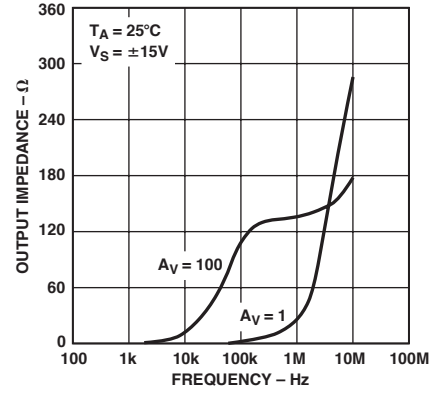
OP471



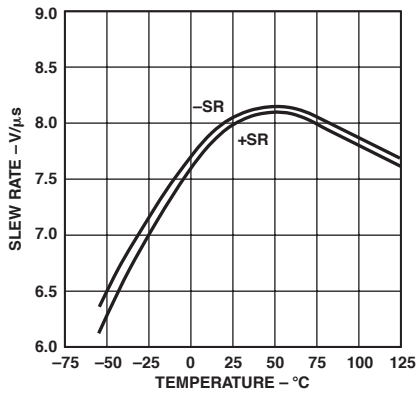
TPC 19. Maximum Output Swing vs. Frequency



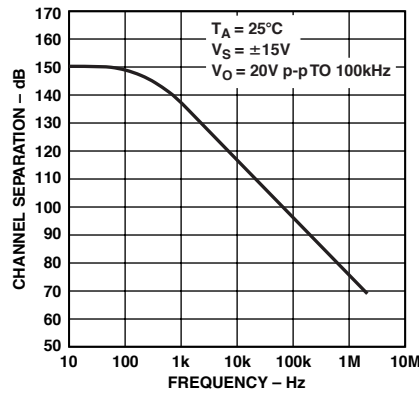
TPC 20. Maximum Output Voltage vs. Load Resistance



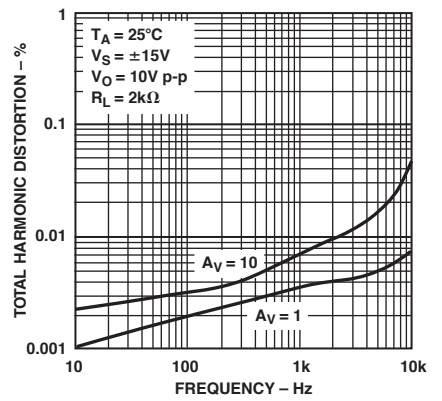
TPC 21. Closed-Loop Output Impedance vs. Frequency



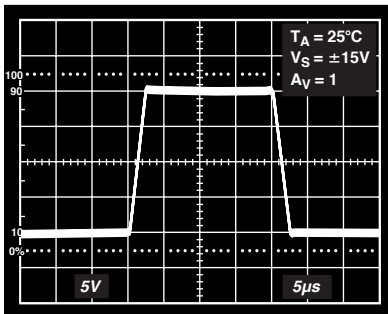
TPC 22. Slew Rate vs. Temperature



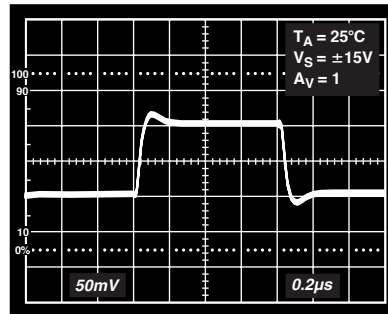
TPC 23. Channel Separation vs. Frequency



TPC 24. Total Harmonic Distortion vs. Frequency



TPC 25. Large-Signal Transient Response



TPC 26. Small-Signal Transient Response

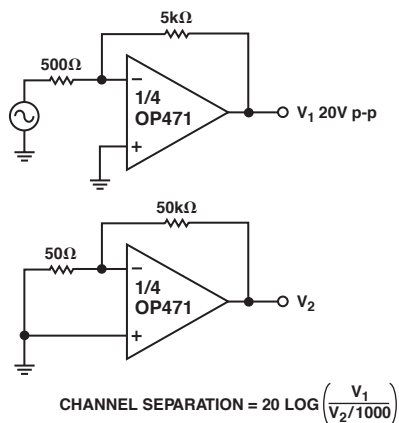


Figure 2. Channel Separation Test Circuit

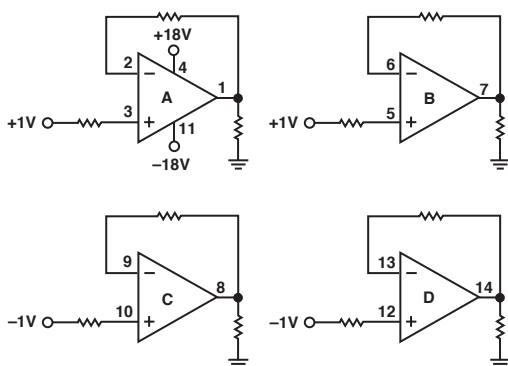


Figure 3. Burn-In Circuit

APPLICATIONS INFORMATION

Voltage and Current Noise

The OP471 is a very low-noise quad op amp, exhibiting a typical voltage noise of only 6.5 $\mu\text{V}/\sqrt{\text{Hz}}$ @ 1 kHz. The low noise characteristic of the OP471 is, in part, achieved by operating the input transistors at high collector currents since the voltage noise is inversely proportional to the square root of the collector current. Current noise, however, is directly proportional to the square root of the collector current. As a result, the outstanding voltage noise performance of the OP471 is gained at the expense of current noise performance which is typical for low noise amplifiers.

To obtain the best noise performance in a circuit, it is vital to understand the relationship between voltage noise (e_n), current noise (i_n), and resistor noise (e_r).

Total Noise and Source Resistance

The total noise of an op amp can be calculated by:

$$E_n = \sqrt{(e_n)^2 + (i_n R_s)^2 + (e_r)^2}$$

where:

- E_n = total input referred noise
- e_n = op amp voltage noise
- i_n = op amp current noise
- e_r = source resistance thermal noise
- R_s = source resistance

The total noise is referred to the input and at the output would be amplified by the circuit gain.

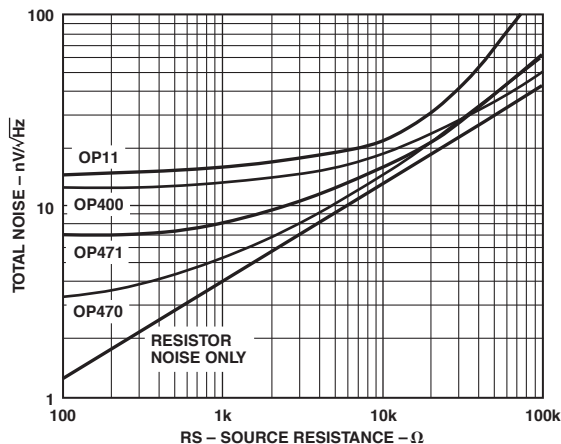


Figure 4. Total Noise vs. Source Resistance (Including Resistor Noise) at 1 kHz

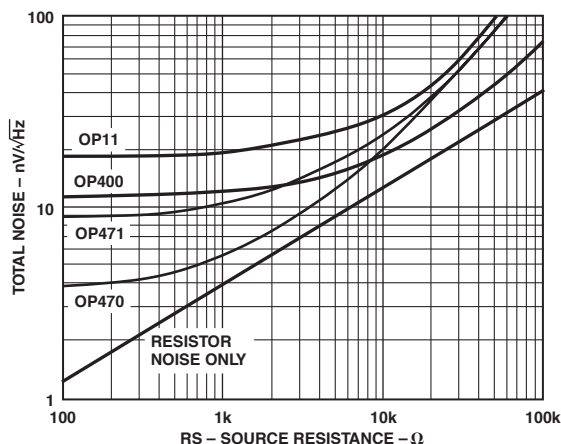


Figure 5. Total Noise vs. Source Resistance (Including Resistor Noise) at 10 Hz

Figure 4 shows the relationship between total noise at 1 kHz and source resistance. For $R_s < 1 \text{ k}\Omega$ the total noise is dominated by the voltage noise of the OP471. As R_s rises above 1 k Ω , total noise increases and is dominated by resistor noise rather than by voltage or current noise of the OP471. When R_s exceeds 20 k Ω , current noise of the OP471 becomes the major contributor to total noise.

Figure 5 also shows the relationship between total noise and source resistance, but at 10 Hz. Total noise increases more quickly than shown in Figure 4 because current noise is inversely proportional to the square root of frequency. In Figure 5, current noise of the OP471 dominates the total noise when $R_s > 5 \text{ k}\Omega$.

From Figures 4 and 5, it can be seen that to reduce total noise, source resistance must be kept to a minimum. In applications with a high source resistance, the OP400, with lower current noise than the OP471, will provide lower total noise.

OP471

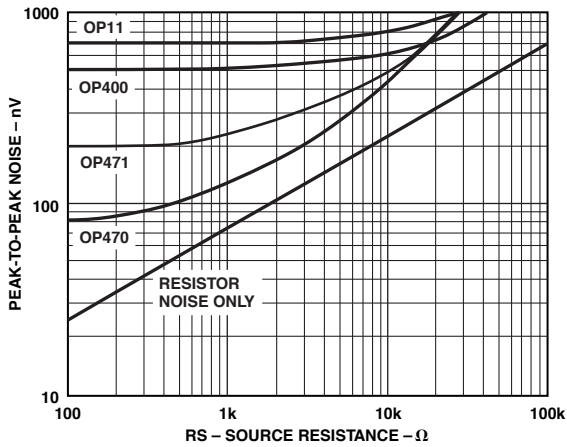


Figure 6. Peak-to-Peak Noise (0.1 Hz to 10 Hz) vs. Source Resistance (Includes Resistor Noise)

Figure 6 shows peak-to-peak noise versus source resistance over the 0.1 Hz to 10 Hz range. Once again, at low values of R_S , the voltage noise of the OP471 is the major contributor to peak-to-peak noise. Current noise becomes the major contributor as R_S increases. The crossover point between the OP471 and the OP400 for peak-to-peak noise is at $R_S = 17 \Omega$.

The OP470 is a lower noise version of the OP471, with a typical noise voltage density of $3.2 \text{ nV}/\sqrt{\text{Hz}}$ @ 1 kHz. The OP470 offers lower offset voltage and higher gain than the OP471, but is a slower speed device, with a slew rate of $2 \text{ V}/\mu\text{s}$ compared to a slew rate of $8 \text{ V}/\mu\text{s}$ for the OP471.

For reference, typical source resistances of some signal sources are listed in Table I.

TABLE I.

| Device | Source Impedance | Comments |
|--|------------------|--|
| Strain gauge | $< 500 \Omega$ | Typically used in low-frequency applications. |
| Magnetic tapehead | $< 1,500 \Omega$ | Low I_B very important to reduce self-magnetization problems when direct coupling is used. OP471 I_B can be neglected. |
| Magnetic phonograph cartridges | $< 1,500 \Omega$ | Similar need for low I_B in direct coupled applications. OP471 will not introduce any self-magnetization problem. |
| Linear variable differential transformer | $< 1,500 \Omega$ | Used in rugged servo-feedback applications. Bandwidth of interest is 400 Hz to 5 kHz. |

*For further information regarding noise calculations, see "Minimization of Noise in Op Amp Applications," Application Note AN-15.

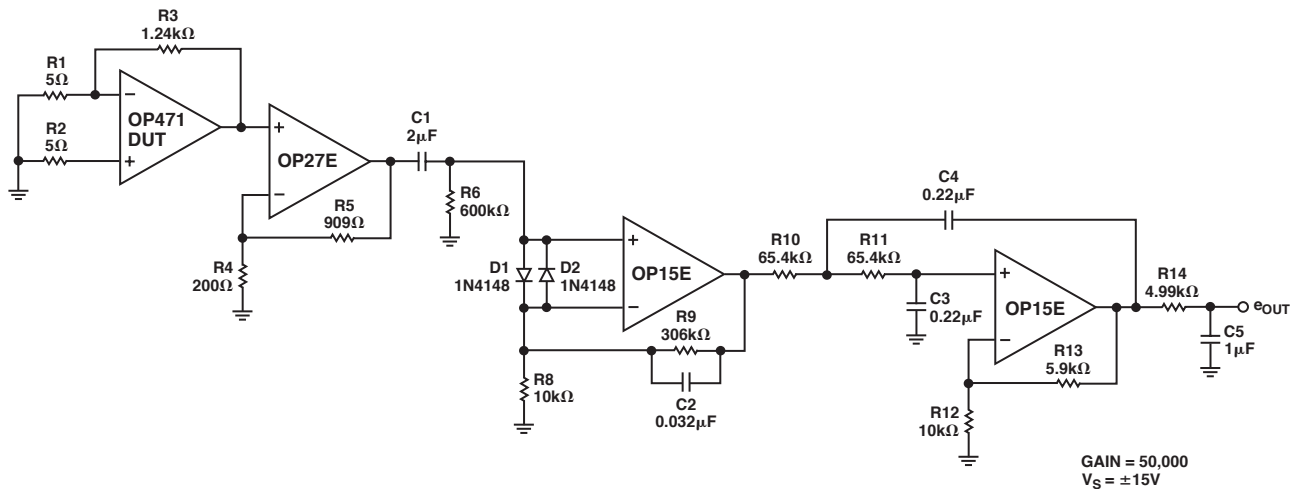


Figure 7. Peak-to-Peak Voltage Noise Test Circuit (0.1 Hz to 10 Hz)

Noise Measurements - Peak-to-Peak Voltage Noise

The circuit of Figure 7 is a test setup for measuring peak-to-peak voltage noise. To measure the 500 nV peak-to-peak noise specification of the OP471 in the 0.1 Hz to 10 Hz range, the following precautions must be observed:

1. The device must be warmed up for at least five minutes. As shown in the warm-up drift curve, the offset voltage typically changes 13 μV due to increasing chip temperature after power-up. In the 10-second measurement interval, these temperature-induced effects can exceed tens-of-nanovolts.
2. For similar reasons, the device must be well-shielded from air currents. Shielding also minimizes thermocouple effects.
3. Sudden motion in the vicinity of the device can also “feedthrough” to increase the observed noise.
4. The test time to measure 0.1 Hz to 10 Hz noise should not exceed 10 seconds. As shown in the noise-tester frequency-response curve of Figure 8, the 0.1 Hz corner is defined by only one pole. The test time of 10 seconds acts as an additional pole to eliminate noise contribution from the frequency band below 0.1 Hz.
5. A noise voltage density test is recommended when measuring noise on a large number of units. A 10 Hz noise voltage density measurement will correlate well with a 0.1 Hz to 10 Hz peak-to-peak noise reading, since both results are determined by the white noise and the location of the 1/f corner frequency.
6. Power should be supplied to the test circuit by well bypassed, low noise supplies, e.g, batteries. These will minimize output noise introduced through the amplifier supply pins.

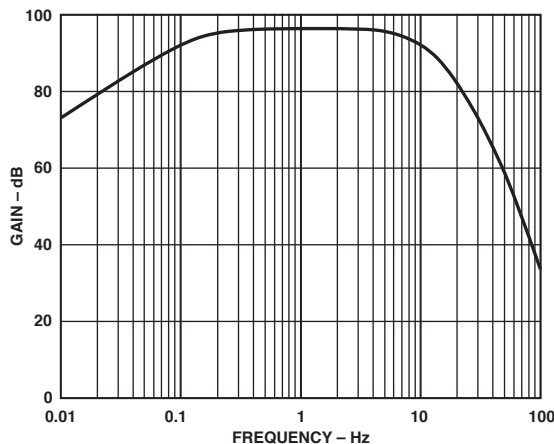


Figure 8. 0.1 Hz to 10 Hz Peak-to-Peak Voltage Noise Test Circuit Frequency Response

Noise Measurement - Noise Voltage Density

The circuit of Figure 9 shows a quick and reliable method of measuring the noise voltage density of quad op amps. Each individual amplifier is series connected and is in unity-gain, save the final amplifier which is in a noninverting gain of 101. Since the ac noise voltages of each amplifier are uncorrelated, they add in rms fashion to yield:

$$e_{OUT} = 101 \left(\sqrt{e_{nA}^2 + e_{nB}^2 + e_{nC}^2 + e_{nD}^2} \right)$$

The OP471 is a monolithic device with four identical amplifiers. The noise voltage density of each individual amplifier will match, giving:

$$e_{OUT} = 101 \left(\sqrt{4e_n^2} \right) = 101 (2e_n)$$

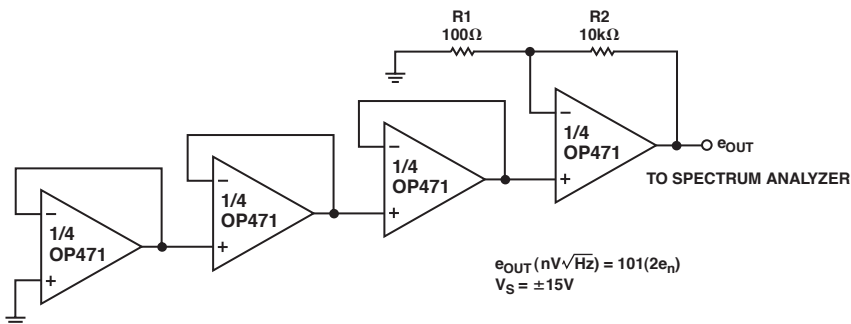


Figure 9. Noise Voltage Density Test Circuit

OP471

Noise Measurement - Current Noise Density

The test circuit shown in Figure 10 can be used to measure current noise density. The formula relating the voltage output to current noise density is:

$$i_n = \frac{\sqrt{\left(\frac{e_{nOUT}}{G}\right)^2 - (40nV/\sqrt{Hz})^2}}{R_S}$$

where:

G = gain of 10,000

R_S = 100 kΩ source resistance

Capacitive Load Driving and Power Supply Considerations

The OP471 is unity-gain stable and is capable of driving large capacitive loads without oscillating. Nonetheless, good supply bypassing is highly recommended. Proper supply bypassing reduces problems caused by supply line noise and improves the capacitive load driving capability of the OP471.

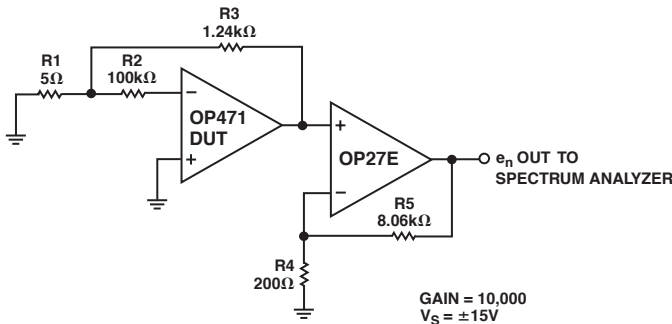


Figure 10. Current Noise Density Test Circuit

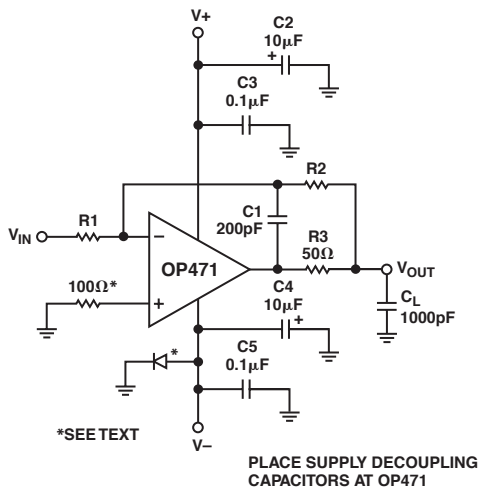


Figure 11. Driving Large Capacitive Loads

In the standard feedback amplifier, the op amp's output resistance combines with the load capacitance to form a lowpass filter that

adds phase shift in the feedback network and reduces stability. A simple circuit to eliminate this effect is shown in Figure 11. The added components, C1 and R3, decouple the amplifier from the load capacitance and provide additional stability. The values of C1 and R3 shown in Figure 11 are for load capacitances of up to 1,000 pF when used with the OP471.

In applications where the OP471's inverting or noninverting inputs are driven by a low source impedance (under 100 Ω) or connected to ground, if V+ is applied before V-, or when V- is disconnected, excessive parasitic currents will flow.

Most applications use dual tracking supplies and with the device supply pins properly bypassed, power-up will not present a problem. A source resistance of at least 100 Ω in series with all inputs (Figure 11) will limit the parasitic currents to a safe level if V- is disconnected. It should be noted that any source resistance, even 100 Ω, adds noise to the circuit. Where noise is required to be kept at a minimum, a germanium or Schottky diode can be used to clamp the V- pin and eliminate the parasitic current flow instead of using series limiting resistors. For most applications, only one diode clamp is required per board or system.

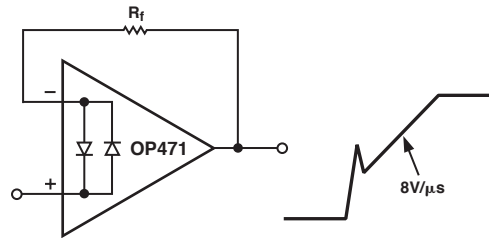


Figure 12. Pulsed Operation

Unity-Gain Buffer Applications

When R_f ≤ 100 Ω and the input is driven with a fast, large signal pulse (>1 V), the output waveform will look as shown in Figure 12.

During the fast feedthrough-like portion of the output, the input protection diodes effectively short the output to the input, and a current, limited only by the output short-circuit protection, will be drawn by the signal generator. With R_f ≥ 500 Ω, the output is capable of handling the current requirements (I_L ≤ 20 mA at 10 V); the amplifier will stay in its active mode and a smooth transition will occur.

When R_f > 3 kΩ, a pole created by R_f and the amplifier's input capacitance (2.6 pF) creates additional phase shift and reduces phase margin. A small capacitor (20 pF to 50 pF) in parallel with R_f helps eliminate this problem.

APPLICATIONS

Low Noise Amplifier

A simple method of reducing amplifier noise by paralleling amplifiers is shown in Figure 13. Amplifier noise, depicted in Figure 14, is around 5 nV/√Hz @ 1 kHz (R.T.I.). Gain for each paralleled amplifier and the entire circuit is 100. The 200 Ω resistors limit circulating currents and provide an effective output resistance of 50 Ω. The amplifier is stable with a 10 nF capacitive load and can supply up to 30 mA of output drive.

High-Speed Differential Line Driver

The circuit of Figure 15 is a unique line driver widely used in professional audio applications. With $\pm 18\text{ V}$ supplies, the line driver can deliver a differential signal of 30 V p-p into a 1.5 k Ω load. The output of the differential line driver looks exactly like a transformer. Either output can be shorted to ground without changing the circuit gain of 5, so the amplifier can easily be set for inverting, noninverting, or differential operation. The line driver can drive unbalanced loads, like a true transformer.

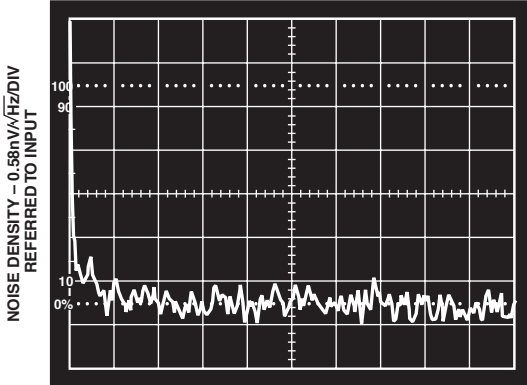


Figure 14. Noise Density of Low-Noise Amplifier, $G = 100$

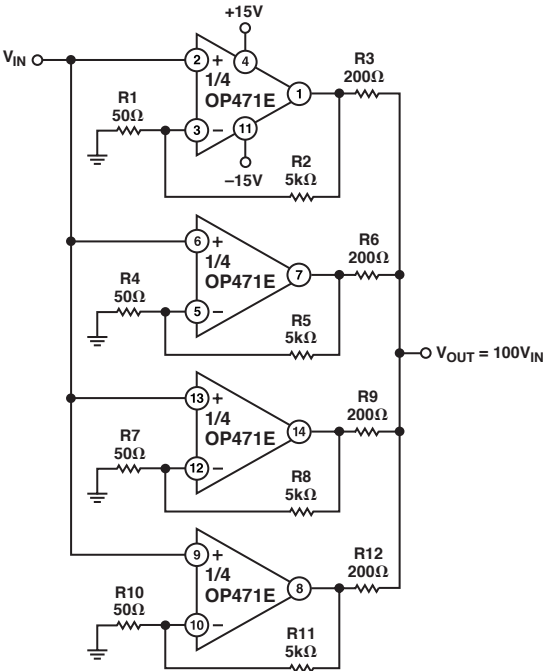


Figure 13. Low-Noise Amplifier

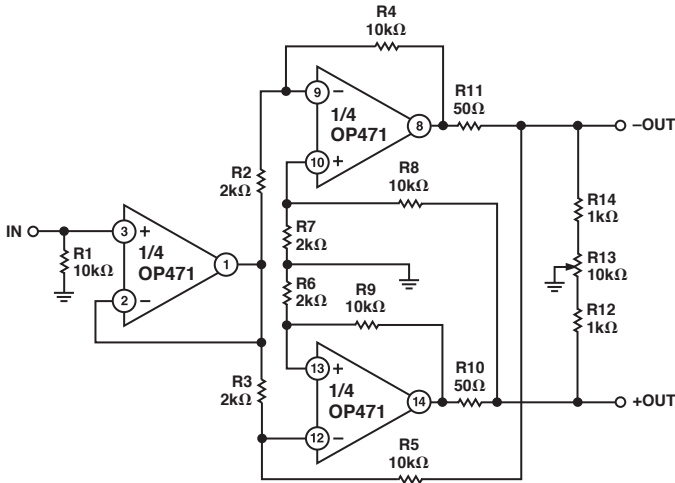


Figure 15. High-Speed Differential Line Driver

High-Output Amplifier

The amplifier shown in Figure 16 is capable of driving 20 V p-p into a floating 400 Ω load. Design of the amplifier is based on a bridge configuration. A1 amplifies the input signal and drives the load with the help of A2. Amplifier A3 is a unity-gain inverter which drives the load with help from A4. Gain of the high output amplifier with the component values shown is 10, but can easily be changed by varying R1 or R2.

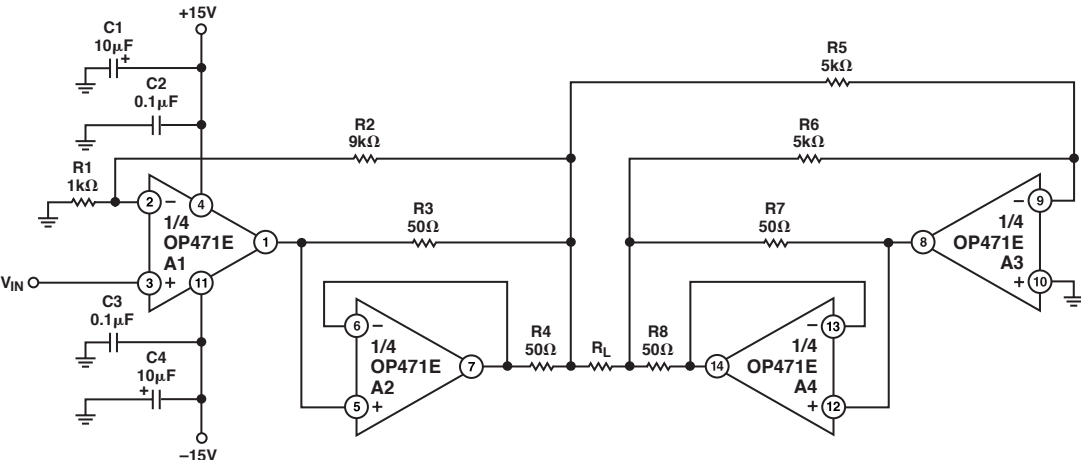


Figure 16. High-Output Amplifier

OP471

Quad Programmable Gain Amplifier

The combination of the quad OP471 and the DAC8408, a quad 8-bit CMOS DAC, creates a space-saving quad programmable gain amplifier. The digital code present at the DAC, which is easily set by a microprocessor, determines the ratio between the fixed DAC feedback resistor and the impedance the DAC ladder presents to the op amp feedback loop. Gain of each amplifier is:

$$\frac{V_{OUT}}{V_{IN}} = -\frac{256}{n}$$

where n equals the decimal equivalent of the 8-bit digital code present at the DAC. If the digital code present at the DAC consists of all zeros, the feedback loop will be open causing the op amp output to saturate. The 20 MΩ resistors placed in parallel with the DAC feedback loop eliminates this problem with a very small reduction in gain accuracy.

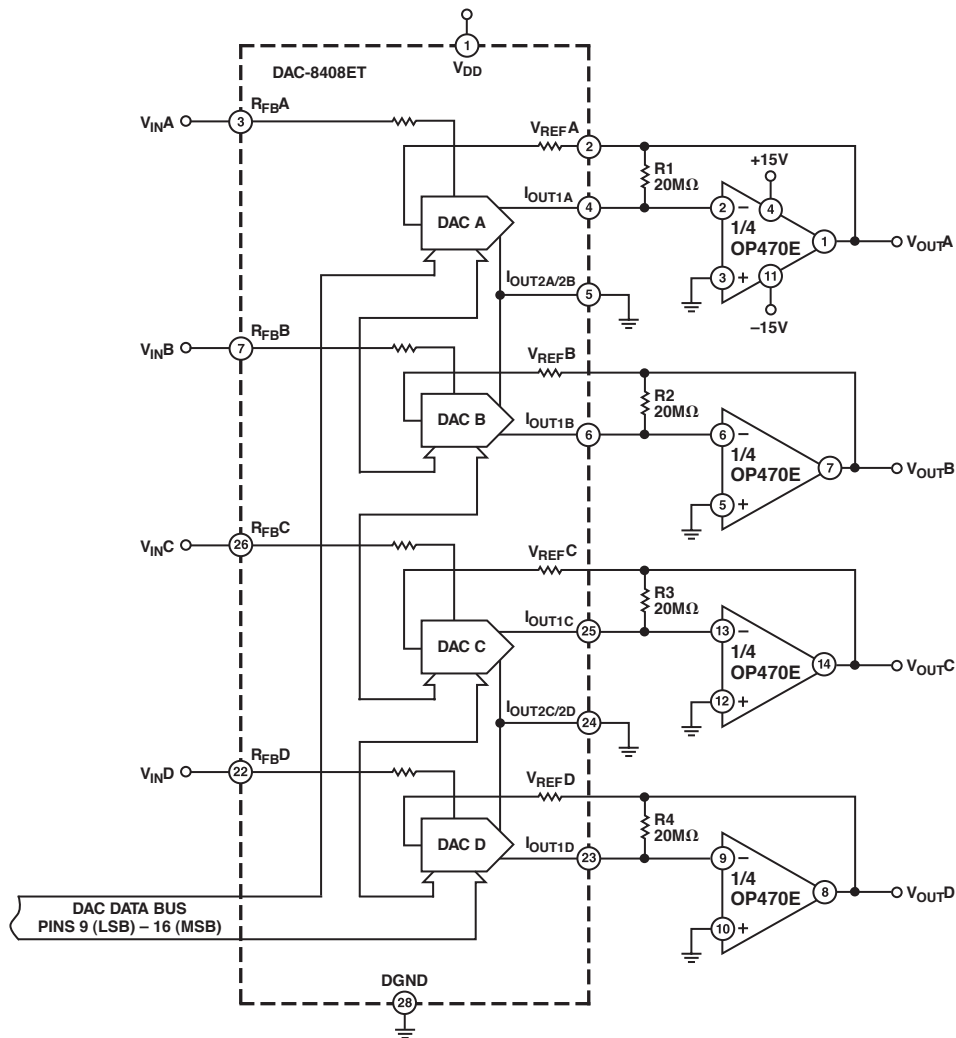


Figure 17. Quad Programmable Gain Amplifier

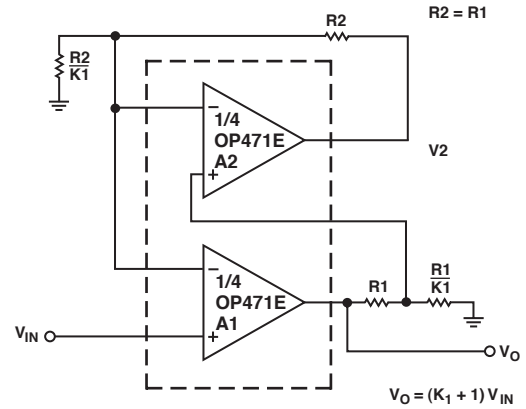
Low Phase Error Amplifier

The simple amplifier depicted in Figure 18 utilizes monolithic matched operational amplifiers and a few resistors to substantially reduce phase error compared to conventional amplifier designs. At a given gain, the frequency range for a specified phase accuracy is over a decade greater than for a standard single op amp amplifier.

The low phase error amplifier performs second-order frequency compensation through the response of op amp A2 in the feedback loop of A1. Both op amps must be extremely well matched in frequency response. At low frequencies, the A1 feedback loop forces $V_2/(K1 + 1) = V_{IN}$. The A2 feedback loop forces $V_O/(K1 + 1) = V_2/(K1 + 1)$ yielding an overall transfer function of $V_O/V_{IN} = K1 + 1$. The dc gain is determined by the resistor divider at the output, V_O , and is not directly affected by the resistor divider around A2. Note that similar to a conventional single op amp amplifier, the dc gain is set by resistor ratios only. Minimum gain for the low phase error amplifier is 10.

Figure 19 compares the phase error performance of the low phase error amplifier with a conventional single op amp amplifier and a cascaded two-stage amplifier. The low phase error amplifier shows a much lower phase error, particularly for frequencies where $\omega/\beta\omega_T < 0.1$. For example, phase error of -0.1° occurs at $0.002 \omega/\beta\omega_T$ for the single op amp amplifier, but at $0.11 \omega/\beta\omega_T$ for the low phase error amplifier.

For more detailed information on the low phase error amplifier, see Application Note AN-107.



ASSUME: A1 AND A2 ARE MATCHED.

$$A_O(s) = \frac{\omega_T}{s}$$

Figure 18. Low Phase Error Amplifier

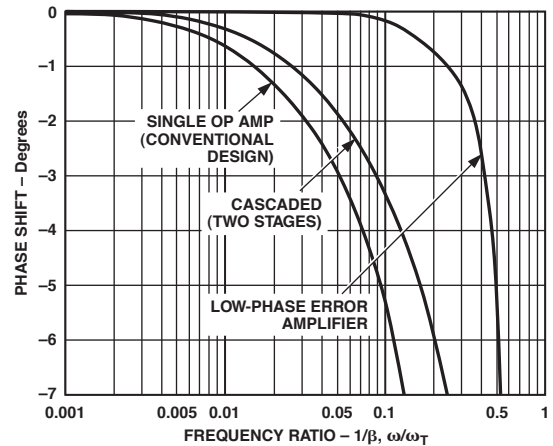


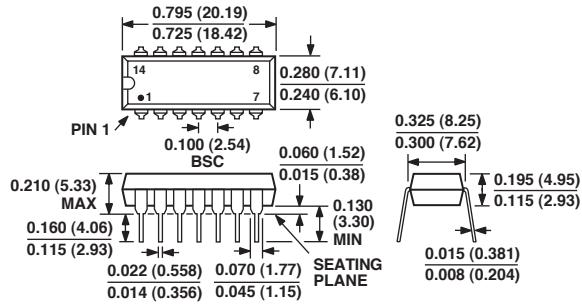
Figure 19. Phase Error Comparison

OUTLINE DIMENSIONS

Dimensions shown in inches and (mm).

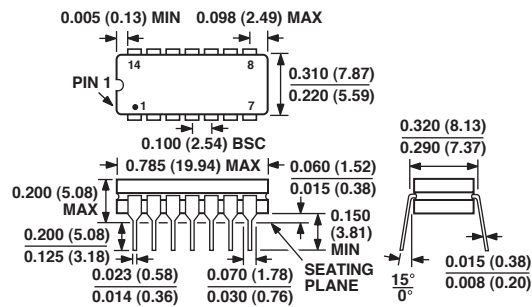
14-Lead PDIP Package

(N-14)



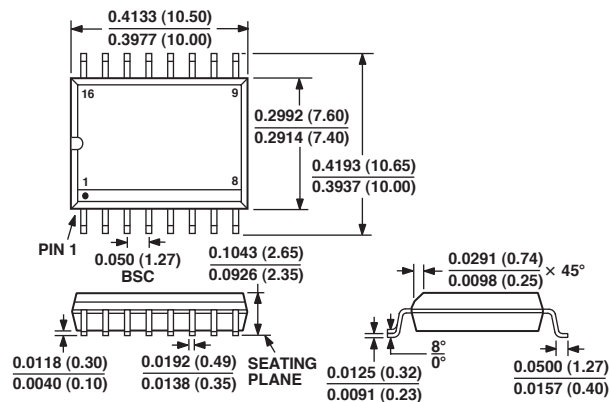
14-Lead CERDIP Package

(Q-14)



16-Lead SOIC Package

(R-16)



Revision History

| Location | Page |
|--|-------------|
| Data Sheet changed from REV. 0 to REV. A. | |
| Edits to FEATURES | 1 |
| Edits to ELECTRICAL CHARACTERISTICS | 2 |
| Edits to ABSOLUTE MAXIMUM RATINGS | 3 |
| Edits to ORDERING GUIDE | 3 |
| Deleted DICE CHARACTERISTICS | 5 |
| Deleted WAFER TEST CHARACTERISTICS | 5 |

