

# LMC6082

## Precision CMOS Dual Operational Amplifier

### General Description

The LMC6082 is a precision dual low offset voltage operational amplifier, capable of single supply operation. Performance characteristics include ultra low input bias current, high voltage gain, rail-to-rail output swing, and an input common mode voltage range that includes ground. These features, plus its low offset voltage, make the LMC6082 ideally suited for precision circuit applications.

Other applications using the LMC6082 include precision full-wave rectifiers, integrators, references, and sample-and-hold circuits.

This device is built with National's advanced Double-Poly Silicon-Gate CMOS process.

For designs with more critical power demands, see the LMC6062 precision dual micropower operational amplifier.

**PATENT PENDING**

### Features

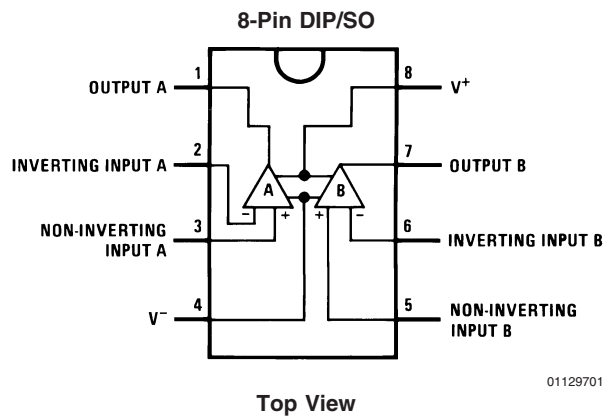
(Typical unless otherwise stated)

- Low offset voltage: 150  $\mu$ V
- Operates from 4.5V to 15V single supply
- Ultra low input bias current: 10 fA
- Output swing to within 20 mV of supply rail, 100k load
- Input common-mode range includes  $V^-$
- High voltage gain: 130 dB
- Improved latchup immunity

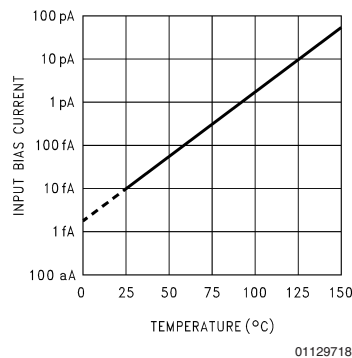
### Applications

- Instrumentation amplifier
- Photodiode and infrared detector preamplifier
- Transducer amplifiers
- Medical instrumentation
- D/A converter
- Charge amplifier for piezoelectric transducers

### Connection Diagram



### Input Bias Current vs Temperature



**Absolute Maximum Ratings** (Note 1)

If Military/Aerospace specified devices are required, please contact the National Semiconductor Sales Office/Distributors for availability and specifications.

|                                                   |                                                     |
|---------------------------------------------------|-----------------------------------------------------|
| Differential Input Voltage                        | ±Supply Voltage                                     |
| Voltage at Input/Output Pin                       | (V <sup>+</sup> ) +0.3V,<br>(V <sup>-</sup> ) -0.3V |
| Supply Voltage (V <sup>+</sup> – V <sup>-</sup> ) | 16V                                                 |
| Output Short Circuit to V <sup>+</sup>            | (Note 11)                                           |
| Output Short Circuit to V <sup>-</sup>            | (Note 2)                                            |
| Lead Temperature                                  |                                                     |
| (Soldering, 10 Sec.)                              | 260°C                                               |
| Storage Temp. Range                               | -65°C to +150°C                                     |
| Junction Temperature                              | 150°C                                               |
| ESD Tolerance (Note 4)                            | 2 kV                                                |
| Current at Input Pin                              | ±10 mA                                              |

|                             |          |
|-----------------------------|----------|
| Current at Output Pin       | ±30 mA   |
| Current at Power Supply Pin | 40 mA    |
| Power Dissipation           | (Note 3) |

**Operating Ratings** (Note 1)

|                                                 |                                 |
|-------------------------------------------------|---------------------------------|
| Temperature Range                               |                                 |
| LMC6082AM                                       | -55°C ≤ T <sub>J</sub> ≤ +125°C |
| LMC6082AI, LMC6082I                             | -40°C ≤ T <sub>J</sub> ≤ +85°C  |
| Supply Voltage                                  | 4.5V ≤ V <sup>+</sup> ≤ 15.5V   |
| Thermal Resistance (θ <sub>JA</sub> ) (Note 12) |                                 |
| 8-Pin Molded DIP                                | 115°C/W                         |
| 8-Pin SO                                        | 193°C/W                         |
| Power Dissipation                               | (Note 10)                       |

**DC Electrical Characteristics**

Unless otherwise specified, all limits guaranteed for T<sub>J</sub> = 25°C. **Boldface** limits apply at the temperature extremes. V<sup>+</sup> = 5V, V<sup>-</sup> = 0V, V<sub>CM</sub> = 1.5V, V<sub>O</sub> = 2.5V and R<sub>L</sub> > 1M unless otherwise specified.

| Symbol            | Parameter                                | Conditions                                           | Typ<br>(Note 5)      | LMC6082AM<br>Limit<br>(Note 6)                     | LMC6082AI<br>Limit<br>(Note 6)                     | LMC6082I<br>Limit<br>(Note 6)                      | Units       |
|-------------------|------------------------------------------|------------------------------------------------------|----------------------|----------------------------------------------------|----------------------------------------------------|----------------------------------------------------|-------------|
| V <sub>OS</sub>   | Input Offset Voltage                     |                                                      | 150                  | 350<br><b>1000</b>                                 | 350<br><b>800</b>                                  | 800<br><b>1300</b>                                 | μV<br>Max   |
| TCV <sub>OS</sub> | Input Offset Voltage<br>Average Drift    |                                                      | 1.0                  |                                                    |                                                    |                                                    | μV/°C       |
| I <sub>B</sub>    | Input Bias Current                       |                                                      | 0.010                | <b>100</b>                                         | <b>4</b>                                           | <b>4</b>                                           | pA<br>Max   |
| I <sub>OS</sub>   | Input Offset Current                     |                                                      | 0.005                | <b>100</b>                                         | <b>2</b>                                           | <b>2</b>                                           | pA<br>Max   |
| R <sub>IN</sub>   | Input Resistance                         |                                                      | >10                  |                                                    |                                                    |                                                    | Tera Ω      |
| CMRR              | Common Mode<br>Rejection Ratio           | 0V ≤ V <sub>CM</sub> ≤ 12.0V<br>V <sup>+</sup> = 15V | 85                   | 75<br><b>72</b>                                    | 75<br><b>72</b>                                    | 66<br><b>63</b>                                    | dB<br>Min   |
| +PSRR             | Positive Power Supply<br>Rejection Ratio | 5V ≤ V <sup>+</sup> ≤ 15V<br>V <sub>O</sub> = 2.5V   | 85                   | 75<br><b>72</b>                                    | 75<br><b>72</b>                                    | 66<br><b>63</b>                                    | dB<br>Min   |
| -PSRR             | Negative Power Supply<br>Rejection Ratio | 0V ≤ V <sup>-</sup> ≤ -10V                           | 94                   | 84<br><b>81</b>                                    | 84<br><b>81</b>                                    | 74<br><b>71</b>                                    | dB<br>Min   |
| V <sub>CM</sub>   | Input Common-Mode<br>Voltage Range       | V <sup>+</sup> = 5V and 15V<br>for CMRR ≥ 60 dB      | -0.4                 | -0.1<br><b>0</b>                                   | -0.1<br><b>0</b>                                   | -0.1<br><b>0</b>                                   | V<br>Max    |
|                   |                                          |                                                      | V <sup>+</sup> – 1.9 | V <sup>+</sup> – 2.3<br><b>V<sup>+</sup> – 2.6</b> | V <sup>+</sup> – 2.3<br><b>V<sup>+</sup> – 2.5</b> | V <sup>+</sup> – 2.3<br><b>V<sup>+</sup> – 2.5</b> | V<br>Min    |
| A <sub>V</sub>    | Large Signal<br>Voltage Gain             | R <sub>L</sub> = 2 kΩ<br>(Note 7)                    | Sourcing<br>1400     | 400<br><b>300</b>                                  | 400<br><b>300</b>                                  | 300<br><b>200</b>                                  | V/mV<br>Min |
|                   |                                          |                                                      | Sinking<br>350       | 180<br><b>70</b>                                   | 180<br><b>100</b>                                  | 90<br><b>60</b>                                    | V/mV<br>Min |
|                   |                                          | R <sub>L</sub> = 600Ω<br>(Note 7)                    | Sourcing<br>1200     | 400<br><b>150</b>                                  | 400<br><b>150</b>                                  | 200<br><b>80</b>                                   | V/mV<br>Min |
|                   |                                          |                                                      | Sinking<br>150       | 100<br><b>35</b>                                   | 100<br><b>50</b>                                   | 70<br><b>35</b>                                    | V/mV<br>Min |

**DC Electrical Characteristics** (Continued)

Unless otherwise specified, all limits guaranteed for  $T_J = 25^\circ\text{C}$ . **Boldface** limits apply at the temperature extremes.  $V^+ = 5\text{V}$ ,  $V^- = 0\text{V}$ ,  $V_{\text{CM}} = 1.5\text{V}$ ,  $V_O = 2.5\text{V}$  and  $R_L > 1\text{M}$  unless otherwise specified.

| Symbol | Parameter                                                | Conditions                                                     | Typ<br>(Note 5)                                                 | LMC6082AM<br>Limit<br>(Note 6) | LMC6082AI<br>Limit<br>(Note 6) | LMC6082I<br>Limit<br>(Note 6) | Units        |     |
|--------|----------------------------------------------------------|----------------------------------------------------------------|-----------------------------------------------------------------|--------------------------------|--------------------------------|-------------------------------|--------------|-----|
| $V_O$  | Output Swing                                             | $V^+ = 5\text{V}$<br>$R_L = 2\text{ k}\Omega$ to $2.5\text{V}$ | 4.87                                                            | 4.80                           | 4.80                           | 4.75                          | V            |     |
|        |                                                          |                                                                |                                                                 | <b>4.70</b>                    | <b>4.73</b>                    | <b>4.67</b>                   | Min          |     |
|        |                                                          |                                                                | $V^+ = 5\text{V}$<br>$R_L = 600\Omega$ to $2.5\text{V}$         | 0.10                           | 0.13                           | 0.13                          | 0.20         | V   |
|        |                                                          |                                                                |                                                                 |                                | <b>0.19</b>                    | <b>0.17</b>                   | <b>0.24</b>  | Max |
|        |                                                          |                                                                | $V^+ = 5\text{V}$<br>$R_L = 600\Omega$ to $2.5\text{V}$         | 4.61                           | 4.50                           | 4.50                          | 4.40         | V   |
|        |                                                          |                                                                |                                                                 |                                | <b>4.24</b>                    | <b>4.31</b>                   | <b>4.21</b>  | Min |
|        |                                                          |                                                                | $V^+ = 15\text{V}$<br>$R_L = 2\text{ k}\Omega$ to $7.5\text{V}$ | 0.30                           | 0.40                           | 0.40                          | 0.50         | V   |
|        |                                                          |                                                                |                                                                 |                                | <b>0.63</b>                    | <b>0.50</b>                   | <b>0.63</b>  | Max |
|        |                                                          |                                                                | $V^+ = 15\text{V}$<br>$R_L = 2\text{ k}\Omega$ to $7.5\text{V}$ | 14.63                          | 14.50                          | 14.50                         | 14.37        | V   |
|        |                                                          |                                                                |                                                                 |                                | <b>14.30</b>                   | <b>14.34</b>                  | <b>14.25</b> | Min |
|        |                                                          |                                                                | $V^+ = 15\text{V}$<br>$R_L = 600\Omega$ to $7.5\text{V}$        | 0.26                           | 0.35                           | 0.35                          | 0.44         | V   |
|        |                                                          |                                                                |                                                                 |                                | <b>0.48</b>                    | <b>0.45</b>                   | <b>0.56</b>  | Max |
|        | $V^+ = 15\text{V}$<br>$R_L = 600\Omega$ to $7.5\text{V}$ | 13.90                                                          | 13.35                                                           | 13.35                          | 12.92                          | V                             |              |     |
|        |                                                          |                                                                | <b>12.80</b>                                                    | <b>12.86</b>                   | <b>12.44</b>                   | Min                           |              |     |
|        | $V^+ = 15\text{V}$<br>$R_L = 600\Omega$ to $7.5\text{V}$ | 0.79                                                           | 1.16                                                            | 1.16                           | 1.33                           | V                             |              |     |
|        |                                                          |                                                                | <b>1.42</b>                                                     | <b>1.32</b>                    | <b>1.58</b>                    | Max                           |              |     |
| $I_O$  | Output Current<br>$V^+ = 5\text{V}$                      | Sourcing, $V_O = 0\text{V}$                                    | 22                                                              | 16                             | 16                             | 13                            | mA           |     |
|        |                                                          |                                                                |                                                                 | <b>8</b>                       | <b>10</b>                      | <b>8</b>                      | Min          |     |
|        | $V^+ = 5\text{V}$                                        | Sinking, $V_O = 5\text{V}$                                     | 21                                                              | 16                             | 16                             | 13                            | mA           |     |
|        |                                                          |                                                                |                                                                 | <b>11</b>                      | <b>13</b>                      | <b>10</b>                     | Min          |     |
| $I_O$  | Output Current<br>$V^+ = 15\text{V}$                     | Sourcing, $V_O = 0\text{V}$                                    | 30                                                              | 28                             | 28                             | 23                            | mA           |     |
|        |                                                          |                                                                |                                                                 | <b>18</b>                      | <b>22</b>                      | <b>18</b>                     | Min          |     |
|        | $V^+ = 15\text{V}$                                       | Sinking, $V_O = 13\text{V}$<br>(Note 11)                       | 34                                                              | 28                             | 28                             | 23                            | mA           |     |
|        |                                                          |                                                                |                                                                 | <b>19</b>                      | <b>22</b>                      | <b>18</b>                     | Min          |     |
| $I_S$  | Supply Current                                           | Both Amplifiers<br>$V^+ = +5\text{V}$ , $V_O = 1.5\text{V}$    | 0.9                                                             | 1.5                            | 1.5                            | 1.5                           | mA           |     |
|        |                                                          |                                                                |                                                                 | <b>1.8</b>                     | <b>1.8</b>                     | <b>1.8</b>                    | Max          |     |
|        | Supply Current                                           | Both Amplifiers<br>$V^+ = +15\text{V}$ , $V_O = 7.5\text{V}$   | 1.1                                                             | 1.7                            | 1.7                            | 1.7                           | mA           |     |
|        |                                                          |                                                                |                                                                 | <b>2</b>                       | <b>2</b>                       | <b>2</b>                      | Max          |     |

## AC Electrical Characteristics

Unless otherwise specified, all limits guaranteed for  $T_J = 25^\circ\text{C}$ , **Boldface** limits apply at the temperature extremes.  $V^+ = 5\text{V}$ ,  $V^- = 0\text{V}$ ,  $V_{\text{CM}} = 1.5\text{V}$ ,  $V_{\text{O}} = 2.5\text{V}$  and  $R_{\text{L}} > 1\text{M}$  unless otherwise specified.

| Symbol   | Parameter                    | Conditions                                                                                                                       | Typ<br>(Note 5) | LMC6082AM<br>Limit<br>(Note 6) | LMC6082AI<br>Limit<br>(Note 6) | LMC6082I<br>Limit<br>(Note 6) | Units                   |
|----------|------------------------------|----------------------------------------------------------------------------------------------------------------------------------|-----------------|--------------------------------|--------------------------------|-------------------------------|-------------------------|
| SR       | Slew Rate                    | (Note 8)                                                                                                                         | 1.5             | 0.8<br><b>0.5</b>              | 0.8<br><b>0.6</b>              | 0.8<br><b>0.6</b>             | V/ $\mu\text{s}$<br>Min |
| GBW      | Gain-Bandwidth Product       |                                                                                                                                  | 1.3             |                                |                                |                               | MHz                     |
| $\phi_m$ | Phase Margin                 |                                                                                                                                  | 50              |                                |                                |                               | Deg                     |
|          | Amp-to-Amp Isolation         | (Note 9)                                                                                                                         | 140             |                                |                                |                               | dB                      |
| $e_n$    | Input-Referred Voltage Noise | F = 1 kHz                                                                                                                        | 22              |                                |                                |                               | nV/ $\sqrt{\text{Hz}}$  |
| $i_n$    | Input-Referred Current Noise | F = 1 kHz                                                                                                                        | 0.0002          |                                |                                |                               | pA/ $\sqrt{\text{Hz}}$  |
| T.H.D.   | Total Harmonic Distortion    | F = 10 kHz, $A_V = -10$<br>$R_{\text{L}} = 2\text{ k}\Omega$ , $V_{\text{O}} = 8\text{ V}_{\text{PP}}$<br>$\pm 5\text{V}$ Supply | 0.01            |                                |                                |                               | %                       |

**Note 1:** Absolute Maximum Ratings indicate limits beyond which damage to the device may occur. Operating Ratings indicate conditions for which the device is intended to be functional, but do not guarantee specific performance limits. For guaranteed specifications and test conditions, see the Electrical Characteristics. The guaranteed specifications apply only for the test conditions listed.

**Note 2:** Applies to both single-supply and split-supply operation. Continuous short circuit operation at elevated ambient temperature can result in exceeding the maximum allowed junction temperature of  $150^\circ\text{C}$ . Output currents in excess of  $\pm 30\text{ mA}$  over long term may adversely affect reliability.

**Note 3:** The maximum power dissipation is a function of  $T_{\text{J}(\text{Max})}$ ,  $\theta_{\text{JA}}$ , and  $T_{\text{A}}$ . The maximum allowable power dissipation at any ambient temperature is  $P_{\text{D}} = (T_{\text{J}(\text{Max})} - T_{\text{A}}) / \theta_{\text{JA}}$ .

**Note 4:** Human body model,  $1.5\text{ k}\Omega$  in series with  $100\text{ pF}$ .

**Note 5:** Typical values represent the most likely parametric norm.

**Note 6:** All limits are guaranteed by testing or statistical analysis.

**Note 7:**  $V^+ = 15\text{V}$ ,  $V_{\text{CM}} = 7.5\text{V}$  and  $R_{\text{L}}$  connected to  $7.5\text{V}$ . For Sourcing tests,  $7.5\text{V} \leq V_{\text{O}} \leq 11.5\text{V}$ . For Sinking tests,  $2.5\text{V} \leq V_{\text{O}} \leq 7.5\text{V}$ .

**Note 8:**  $V^+ = 15\text{V}$ . Connected as Voltage Follower with  $10\text{V}$  step input. Number specified is the slower of the positive and negative slew rates.

**Note 9:** Input referred  $V^+ = 15\text{V}$  and  $R_{\text{L}} = 100\text{ k}\Omega$  connected to  $7.5\text{V}$ . Each amp excited in turn with  $1\text{ kHz}$  to produce  $V_{\text{O}} = 12\text{ V}_{\text{PP}}$ .

**Note 10:** For operating at elevated temperatures the device must be derated based on the thermal resistance  $\theta_{\text{JA}}$  with  $P_{\text{D}} = (T_{\text{J}} - T_{\text{A}}) / \theta_{\text{JA}}$ . All numbers apply for packages soldered directly into a PC board.

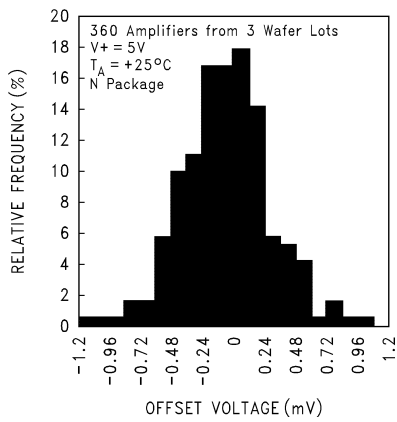
**Note 11:** Do not connect output to  $V^+$ , when  $V^+$  is greater than  $13\text{V}$  or reliability will be adversely affected.

**Note 12:** All numbers apply for packages soldered directly into a PC board.

# Typical Performance Characteristics

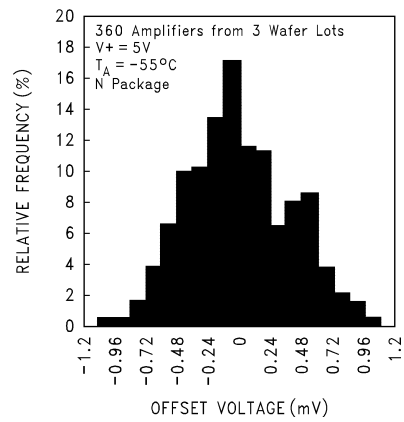
$V_S = \pm 7.5V$ ,  $T_A = 25^\circ C$ , Unless otherwise specified

**Distribution of LMC6082  
Input Offset Voltage  
( $T_A = +25^\circ C$ )**



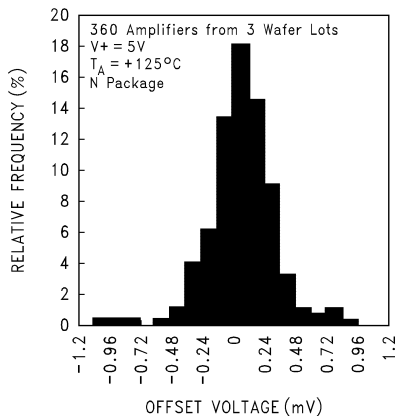
01129715

**Distribution of LMC6082  
Input Offset Voltage  
( $T_A = -55^\circ C$ )**



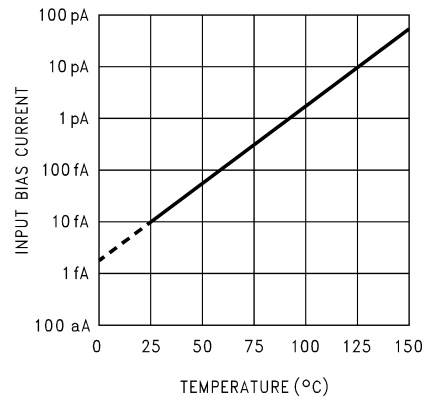
01129716

**Distribution of LMC6082  
Input Offset Voltage  
( $T_A = +125^\circ C$ )**



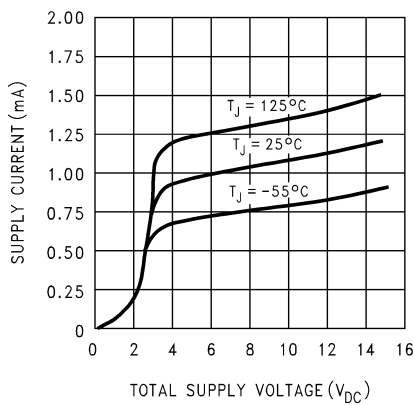
01129717

**Input Bias Current  
vs Temperature**



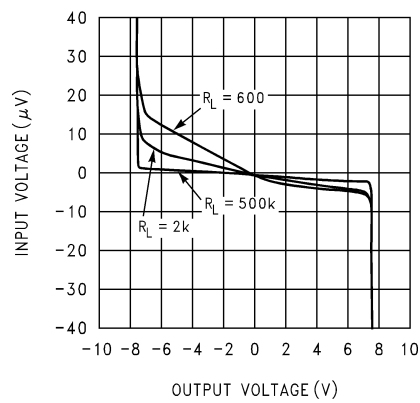
01129718

**Supply Current  
vs Supply Voltage**



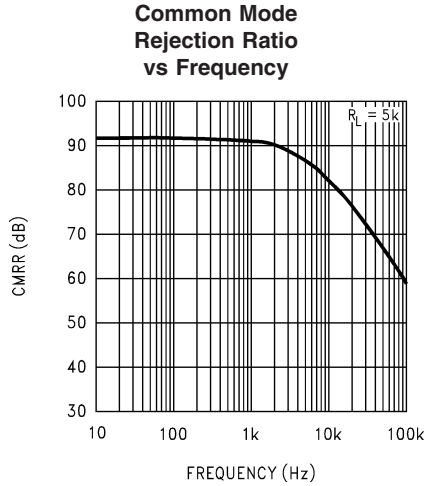
01129719

**Input Voltage  
vs Output Voltage**

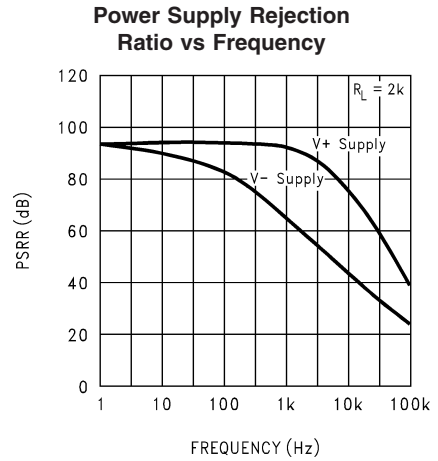


01129720

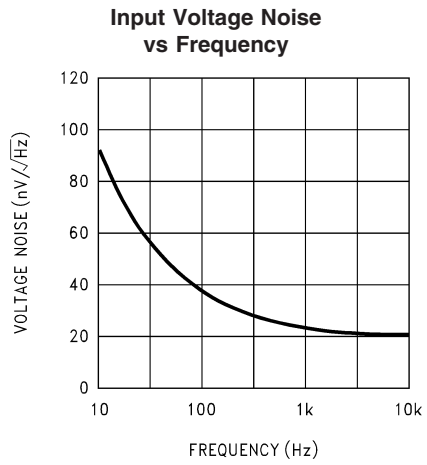
**Typical Performance Characteristics**  $V_S = \pm 7.5V, T_A = 25^\circ C$ , Unless otherwise specified (Continued)



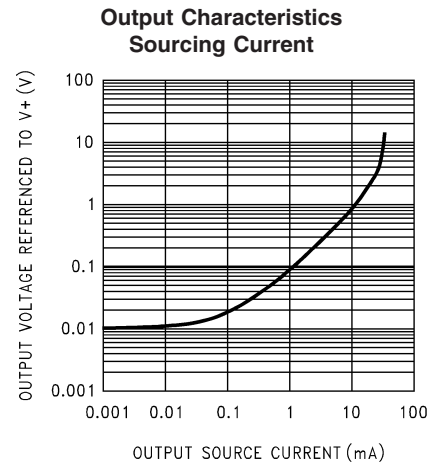
01129721



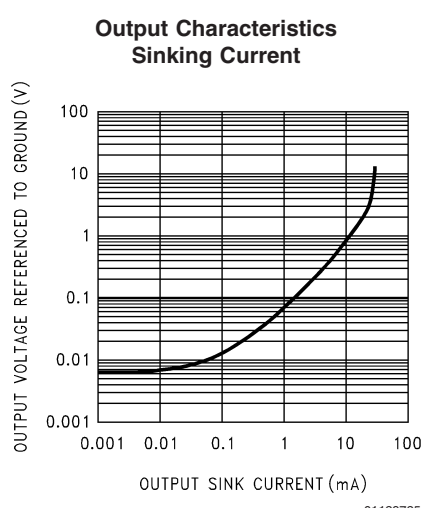
01129722



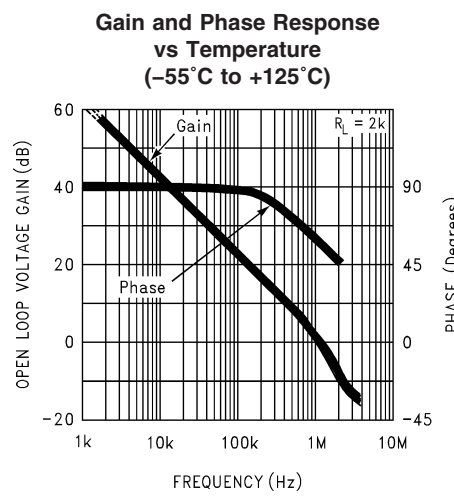
01129723



01129724

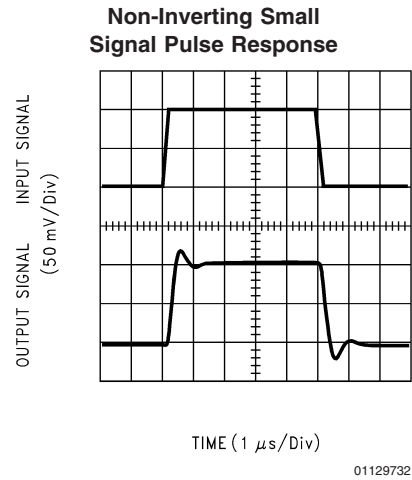
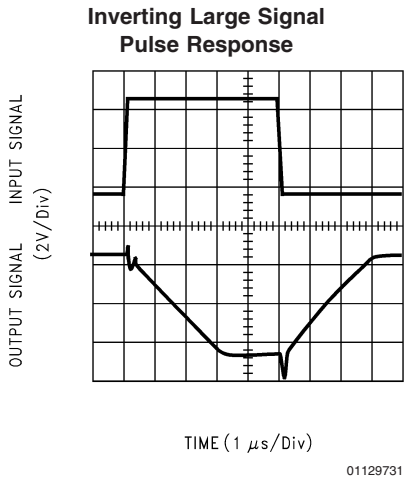
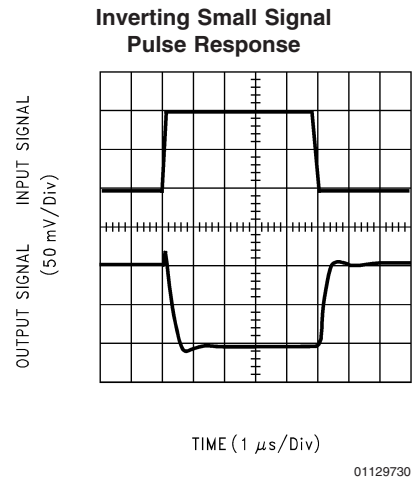
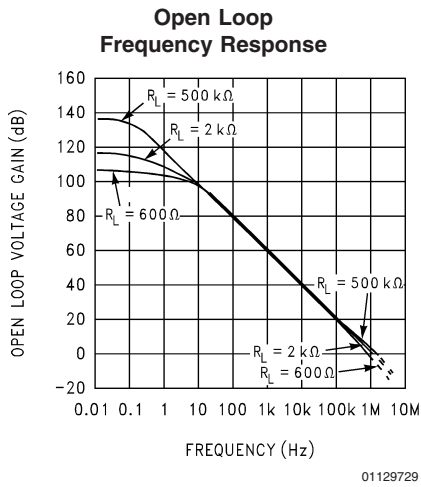
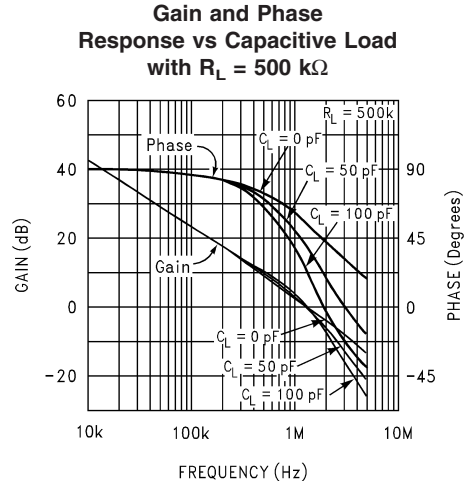
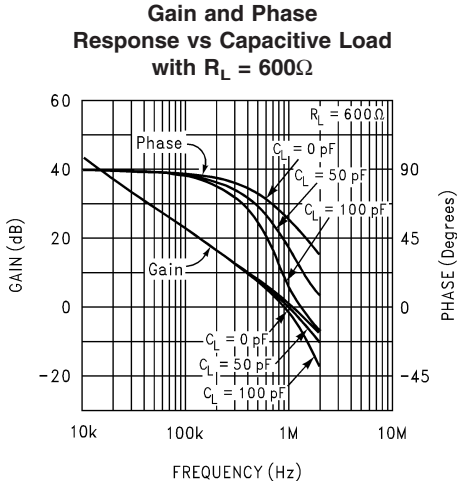


01129725



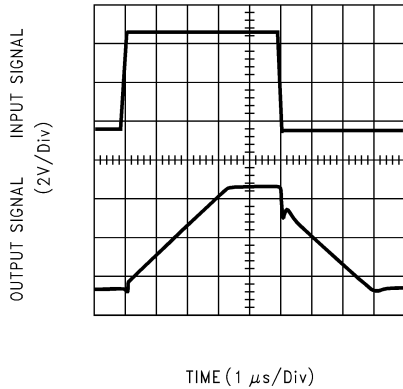
01129726

**Typical Performance Characteristics**  $V_S = \pm 7.5V$ ,  $T_A = 25^\circ C$ , Unless otherwise specified (Continued)



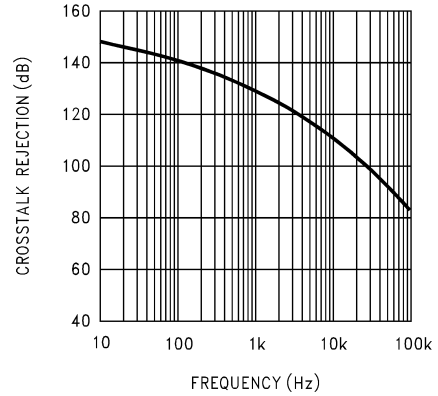
**Typical Performance Characteristics**  $V_S = \pm 7.5V, T_A = 25^\circ C$ , Unless otherwise specified (Continued)

**Non-Inverting Large Signal Pulse Response**



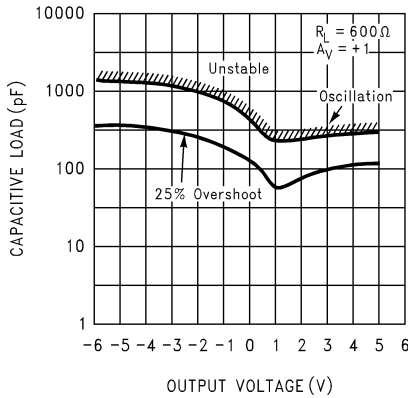
01129733

**Crosstalk Rejection vs Frequency**



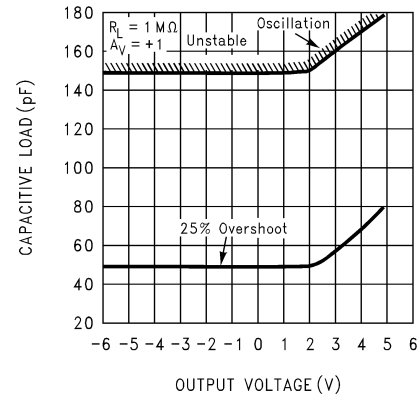
01129734

**Stability vs Capacitive Load,  $R_L = 600\Omega$**



01129735

**Stability vs Capacitive Load  $R_L = 1 M\Omega$**



01129736

**Applications Hints**

**AMPLIFIER TOPOLOGY**

The LMC6082 incorporates a novel op-amp design topology that enables it to maintain rail to rail output swing even when driving a large load. Instead of relying on a push-pull unity gain output buffer stage, the output stage is taken directly from the internal integrator, which provides both low output impedance and large gain. Special feed-forward compensation design techniques are incorporated to maintain stability over a wider range of operating conditions than traditional micropower op-amps. These features make the LMC6082 both easier to design with, and provide higher speed than products typically found in this ultra-low power class.

**COMPENSATING FOR INPUT CAPACITANCE**

It is quite common to use large values of feedback resistance for amplifiers with ultra-low input current, like the LMC6082.

Although the LMC6082 is highly stable over a wide range of operating conditions, certain precautions must be met to achieve the desired pulse response when a large feedback resistor is used. Large feedback resistors and even small values of input capacitance, due to transducers, photo-diodes, and circuit board parasitics, reduce phase margins.

When high input impedances are demanded, guarding of the LMC6082 is suggested. Guarding input lines will not only reduce leakage, but lowers stray input capacitance as well. (See *Printed-Circuit-Board Layout for High Impedance Work*).

The effect of input capacitance can be compensated for by adding a capacitor,  $C_f$ , around the feedback resistors (as in *Figure 1*) such that:

$$\frac{1}{2\pi R_1 C_{IN}} \geq \frac{1}{2\pi R_2 C_f}$$

or

$$R_1 C_{IN} \leq R_2 C_f$$

Since it is often difficult to know the exact value of  $C_{IN}$ ,  $C_f$  can be experimentally adjusted so that the desired pulse response is achieved. Refer to the LMC660 and LMC662 for a more detailed discussion on compensating for input capacitance.



## Applications Hints (Continued)

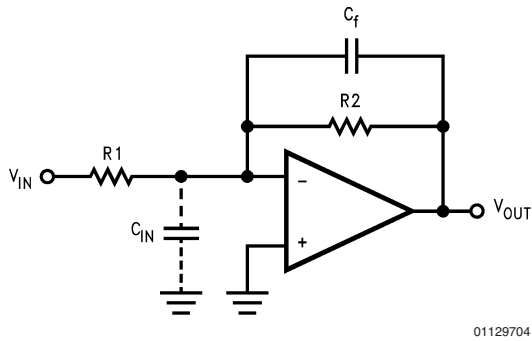


FIGURE 1. Cancelling the Effect of Input Capacitance

### CAPACITIVE LOAD TOLERANCE

All rail-to-rail output swing operational amplifiers have voltage gain in the output stage. A compensation capacitor is normally included in this integrator stage. The frequency location of the dominant pole is affected by the resistive load on the amplifier. Capacitive load driving capability can be optimized by using an appropriate resistive load in parallel with the capacitive load (see typical curves).

Direct capacitive loading will reduce the phase margin of many op-amps. A pole in the feedback loop is created by the combination of the op-amp's output impedance and the capacitive load. This pole induces phase lag at the unity-gain crossover frequency of the amplifier resulting in either an oscillatory or underdamped pulse response. With a few external components, op amps can easily indirectly drive capacitive loads, as shown in *Figure 2*.

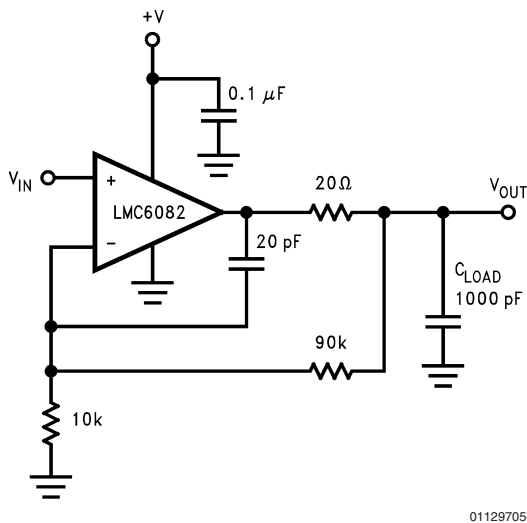


FIGURE 2. LMC6082 Noninverting Gain of 10 Amplifier, Compensated to Handle Capacitive Loads

In the circuit of *Figure 2*, R1 and C1 serve to counteract the loss of phase margin by feeding the high frequency component of the output signal back to the amplifier's inverting input, thereby preserving phase margin in the overall feedback loop.

Capacitive load driving capability is enhanced by using a pull up resistor to  $V^+$  *Figure 3*. Typically a pull up resistor conducting 500  $\mu\text{A}$  or more will significantly improve capacitive load responses. The value of the pull up resistor must be determined based on the current sinking capability of the amplifier with respect to the desired output swing. Open loop gain of the amplifier can also be affected by the pull up resistor (see Electrical Characteristics).

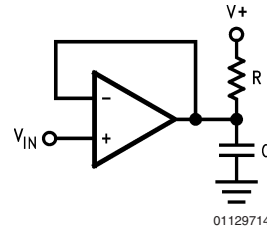


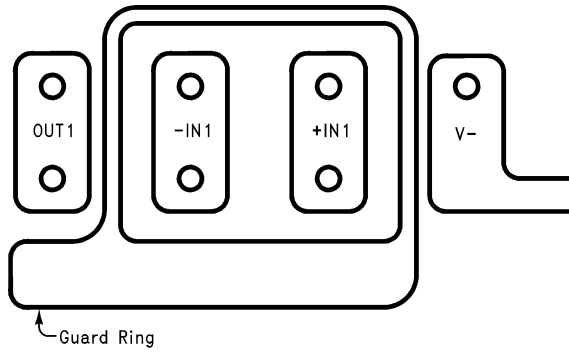
FIGURE 3. Compensating for Large Capacitive Loads with a Pull Up Resistor

### PRINTED-CIRCUIT-BOARD LAYOUT FOR HIGH-IMPEDANCE WORK

It is generally recognized that any circuit which must operate with less than 1000 pA of leakage current requires special layout of the PC board. When one wishes to take advantage of the ultra-low bias current of the LMC6082, typically less than 10 fA, it is essential to have an excellent layout. Fortunately, the techniques of obtaining low leakages are quite simple. First, the user must not ignore the surface leakage of the PC board, even though it may sometimes appear acceptably low, because under conditions of high humidity or dust or contamination, the surface leakage will be appreciable.

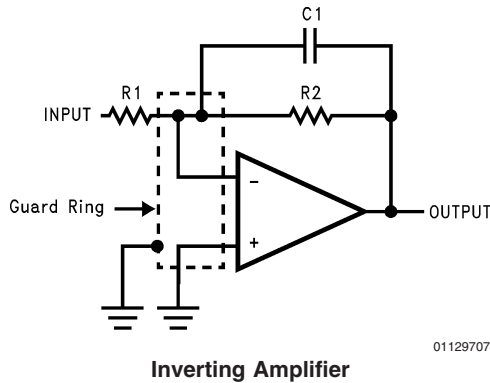
To minimize the effect of any surface leakage, lay out a ring of foil completely surrounding the LMC6082's inputs and the terminals of capacitors, diodes, conductors, resistors, relay terminals, etc. connected to the op-amp's inputs, as in *Figure 4*. To have a significant effect, guard rings should be placed on both the top and bottom of the PC board. This PC foil must then be connected to a voltage which is at the same voltage as the amplifier inputs, since no leakage current can flow between two points at the same potential. For example, a PC board trace-to-pad resistance of  $10^{12}\Omega$ , which is normally considered a very large resistance, could leak 5 pA if the trace were a 5V bus adjacent to the pad of the input. This would cause a 100 times degradation from the LMC6082's actual performance. However, if a guard ring is held within 5 mV of the inputs, then even a resistance of  $10^{11}\Omega$  would cause only 0.05 pA of leakage current. See *Figure 5* for typical connections of guard rings for standard op-amp configurations.

**Applications Hints** (Continued)



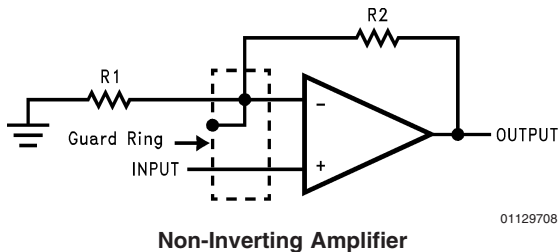
01129706

**FIGURE 4. Example of Guard Ring in P.C. Board Layout**



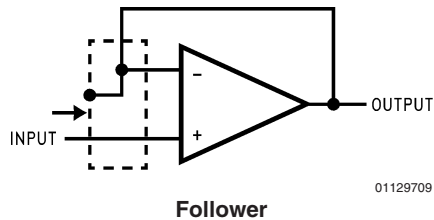
01129707

**Inverting Amplifier**



01129708

**Non-Inverting Amplifier**



01129709

**Follower**

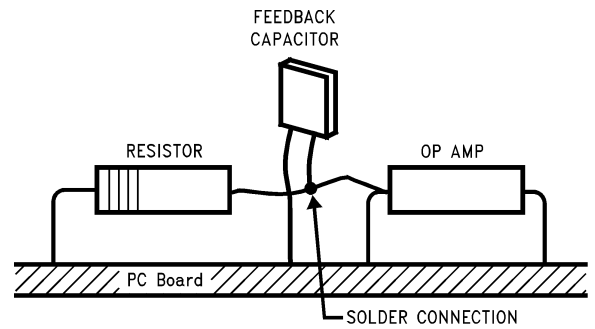
**FIGURE 5. Typical Connections of Guard Rings**

The designer should be aware that when it is inappropriate to lay out a PC board for the sake of just a few circuits, there

is another technique which is even better than a guard ring on a PC board: Don't insert the amplifier's input pin into the board at all, but bend it up in the air and use only air as an insulator. Air is an excellent insulator. In this case you may have to forego some of the advantages of PC board construction, but the advantages are sometimes well worth the effort of using point-to-point up-in-the-air wiring. See *Figure 6*.

**Latchup**

CMOS devices tend to be susceptible to latchup due to their internal parasitic SCR effects. The (I/O) input and output pins look similar to the gate of the SCR. There is a minimum current required to trigger the SCR gate lead. The LMC6062 and LMC6082 are designed to withstand 100 mA surge current on the I/O pins. Some resistive method should be used to isolate any capacitance from supplying excess current to the I/O pins. In addition, like an SCR, there is a minimum holding current for any latchup mode. Limiting current to the supply pins will also inhibit latchup susceptibility.



01129710

(Input pins are lifted out of PC board and soldered directly to components. All other pins connected to PC board).

**FIGURE 6. Air Wiring**

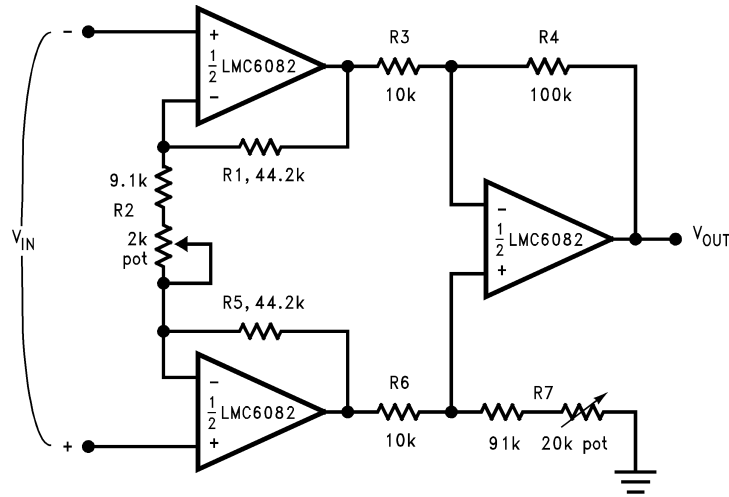
**Typical Single-Supply Applications**

( $V^+ = 5.0 V_{DC}$ )

The extremely high input impedance, and low power consumption, of the LMC6082 make it ideal for applications that require battery-powered instrumentation amplifiers. Examples of these types of applications are hand-held pH probes, analytic medical instruments, magnetic field detectors, gas detectors, and silicon based pressure transducers.

*Figure 7* shows an instrumentation amplifier that features high differential and common mode input resistance ( $>10^{14}\Omega$ ), 0.01% gain accuracy at  $A_V = 1000$ , excellent CMRR with 1 k $\Omega$  imbalance in bridge source resistance. Input current is less than 100 fA and offset drift is less than 2.5  $\mu V/^{\circ}C$ .  $R_2$  provides a simple means of adjusting gain over a wide range without degrading CMRR.  $R_7$  is an initial trim used to maximize CMRR without using super precision matched resistors. For good CMRR over temperature, low drift resistors should be used.

Typical Single-Supply Applications (Continued)



01129711

If  $R_1 = R_5$ ,  $R_3 = R_6$ , and  $R_4 = R_7$ ; then

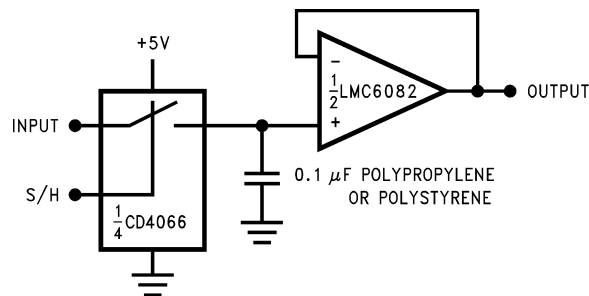
$$\frac{V_{OUT}}{V_{IN}} = \frac{R_2 + 2R_1}{R_2} \times \frac{R_4}{R_3}$$

$\therefore A_V \approx 100$  for circuit shown ( $R_2 = 9.822k$ ).

FIGURE 7. Instrumentation Amplifier

Typical Single-Supply Applications

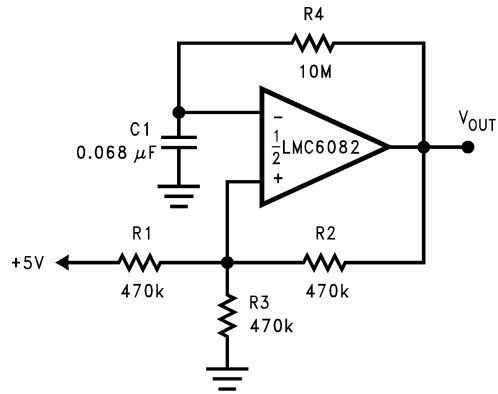
( $V^+ = 5.0 V_{DC}$ )



01129712

FIGURE 8. Low-Leakage Sample and Hold

## Typical Single-Supply Applications ( $V^+ = 5.0 V_{DC}$ ) (Continued)



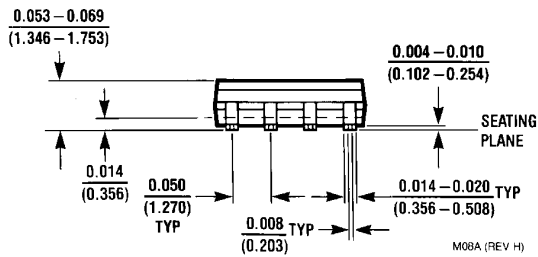
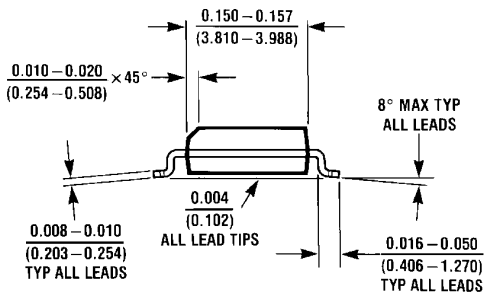
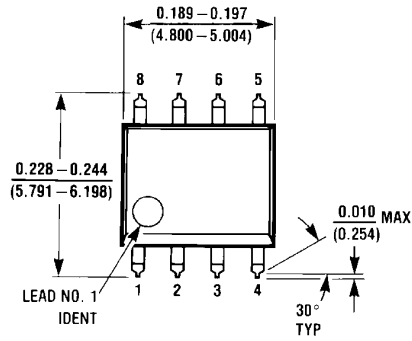
01129713

FIGURE 9. 1 Hz Square Wave Oscillator

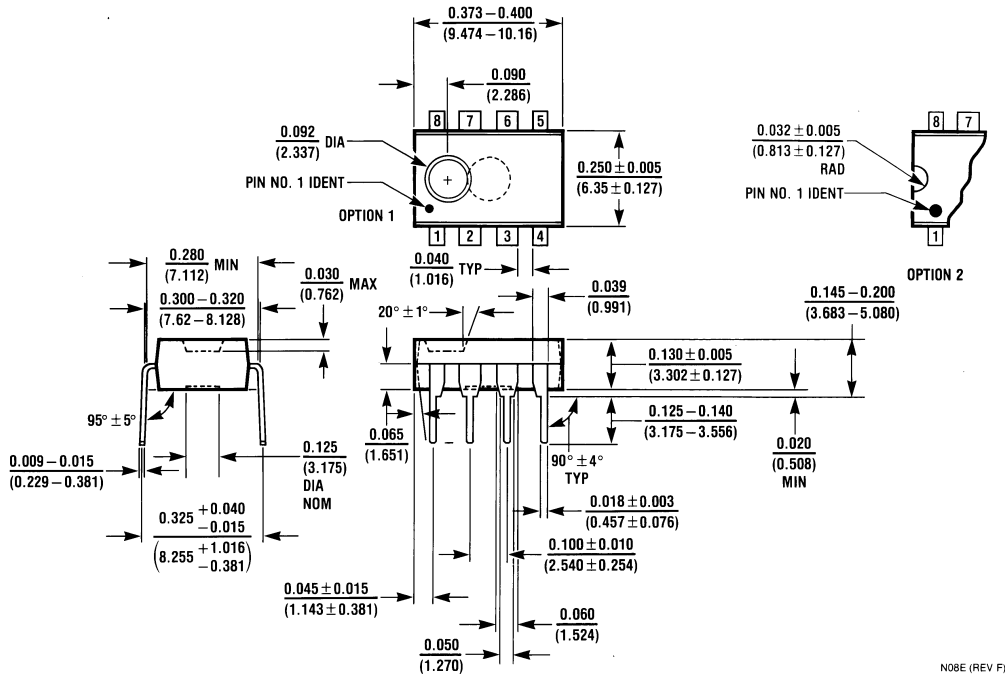
## Ordering Information

| Package                                                                                                                                                                  | Temperature Range           |                                                         | NSC Drawing | Transport Media       |
|--------------------------------------------------------------------------------------------------------------------------------------------------------------------------|-----------------------------|---------------------------------------------------------|-------------|-----------------------|
|                                                                                                                                                                          | Military<br>-55°C to +125°C | Industrial<br>-40°C to +85°C                            |             |                       |
| 8-Pin<br>Molded DIP                                                                                                                                                      |                             | LMC6082AIN<br>LMC6082IN                                 | N08E        | Rail                  |
| 8-Pin<br>Small Outline                                                                                                                                                   |                             | LMC6082AIM,<br>LMC6082AIMX,<br>LMC6082IM,<br>LMC6082IMX | M08A        | Rail<br>Tape and Reel |
| <b>For MIL-STD-883C qualified products, please contact your local National Semiconductor Sales Office or Distributor for availability and specification information.</b> |                             |                                                         |             |                       |

**Physical Dimensions** inches (millimeters) unless otherwise noted



**8-Pin Small Outline Package**  
 Order Number LMC6082AIM, LMC6082AIMX, LMC6082IM or LMC6082IMX  
 NS Package Number M08A



**8-Pin Molded Dual-In-Line Package**  
 Order Number LMC6082AIN or LMC6082IN  
 NS Package Number N08E

## Notes

National does not assume any responsibility for use of any circuitry described, no circuit patent licenses are implied and National reserves the right at any time without notice to change said circuitry and specifications.

For the most current product information visit us at [www.national.com](http://www.national.com).

### LIFE SUPPORT POLICY

NATIONAL'S PRODUCTS ARE NOT AUTHORIZED FOR USE AS CRITICAL COMPONENTS IN LIFE SUPPORT DEVICES OR SYSTEMS WITHOUT THE EXPRESS WRITTEN APPROVAL OF THE PRESIDENT AND GENERAL COUNSEL OF NATIONAL SEMICONDUCTOR CORPORATION. As used herein:

1. Life support devices or systems are devices or systems which, (a) are intended for surgical implant into the body, or (b) support or sustain life, and whose failure to perform when properly used in accordance with instructions for use provided in the labeling, can be reasonably expected to result in a significant injury to the user.
2. A critical component is any component of a life support device or system whose failure to perform can be reasonably expected to cause the failure of the life support device or system, or to affect its safety or effectiveness.

### BANNED SUBSTANCE COMPLIANCE

National Semiconductor certifies that the products and packing materials meet the provisions of the Customer Products Stewardship Specification (CSP-9-111C2) and the Banned Substances and Materials of Interest Specification (CSP-9-111S2) and contain no "Banned Substances" as defined in CSP-9-111S2.



**National Semiconductor**  
**Americas Customer**  
**Support Center**  
 Email: [new.feedback@nsc.com](mailto:new.feedback@nsc.com)  
 Tel: 1-800-272-9959

[www.national.com](http://www.national.com)

**National Semiconductor**  
**Europe Customer Support Center**  
 Fax: +49 (0) 180-530 85 86  
 Email: [europe.support@nsc.com](mailto:europe.support@nsc.com)  
 Deutsch Tel: +49 (0) 69 9508 6208  
 English Tel: +44 (0) 870 24 0 2171  
 Français Tel: +33 (0) 1 41 91 8790

**National Semiconductor**  
**Asia Pacific Customer**  
**Support Center**  
 Email: [ap.support@nsc.com](mailto:ap.support@nsc.com)

**National Semiconductor**  
**Japan Customer Support Center**  
 Fax: 81-3-5639-7507  
 Email: [jpn.feedback@nsc.com](mailto:jpn.feedback@nsc.com)  
 Tel: 81-3-5639-7560