

LM10

Operational Amplifier and Voltage Reference

General Description

The LM10 series are monolithic linear ICs consisting of a precision reference, an adjustable reference buffer and an independent, high quality op amp.

The unit can operate from a total supply voltage as low as 1.1V or as high as 40V, drawing only 270µA. A complementary output stage swings within 15 mV of the supply terminals or will deliver ±20 mA output current with ±0.4V saturation. Reference output can be as low as 200 mV.

The circuit is recommended for portable equipment and is completely specified for operation from a single power cell. In contrast, high output-drive capability, both voltage and current, along with thermal overload protection, suggest it in demanding general-purpose applications.

The device is capable of operating in a floating mode, independent of fixed supplies. It can function as a remote comparator, signal conditioner, SCR controller or transmitter for

analog signals, delivering the processed signal on the same line used to supply power. It is also suited for operation in a wide range of voltage- and current-regulator applications, from low voltages to several hundred volts, providing greater precision than existing ICs.

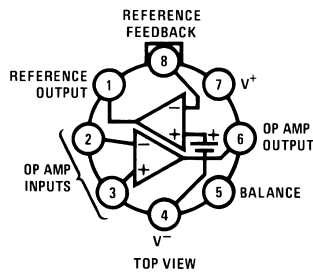
This series is available in the three standard temperature ranges, with the commercial part having relaxed limits. In addition, a low-voltage specification (suffix "L") is available in the limited temperature ranges at a cost savings.

Features

- input offset voltage: 2.0 mV (max)
- input offset current: 0.7 nA (max)
- input bias current: 20 nA (max)
- reference regulation: 0.1% (max)
- offset voltage drift: 2µV/°C
- reference drift: 0.002%/°C

Connection and Functional Diagrams

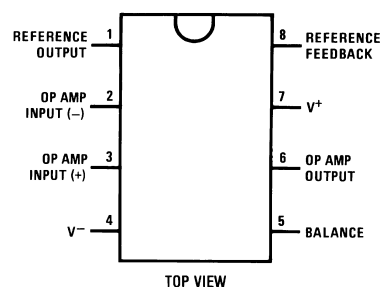
Metal Can Package (H)



00565201

Order Number LM10BH, LM10CH, LM10CLH or LM10H/883
available per SMA# 5962-8760401
See NS Package Number H08A

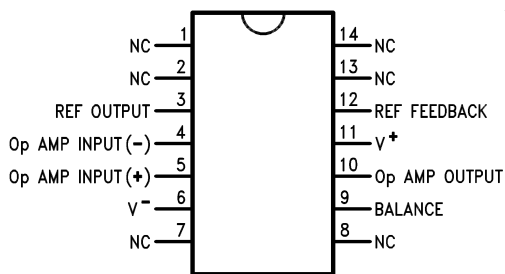
Dual-In-Line Package (N)



00565215

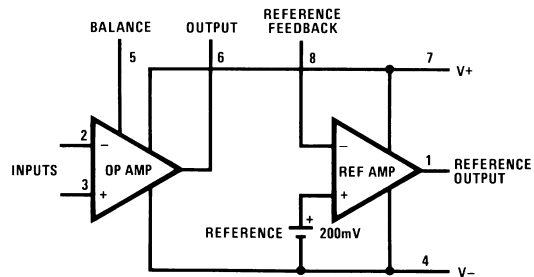
Order Number LM10CN or LM10CLN
See NS Package Number N08E

Small Outline Package (WM)



00565217

Order Number LM10CWM or LM10CWMX
See NS Package Number M14B



00565216

Absolute Maximum Ratings (Notes 1,

8)

If Military/Aerospace specified devices are required, please contact the National Semiconductor Sales Office/Distributors for availability and specifications.

	LM10/LM10B/LM10BL/	
	LM10C	LM10CL
Total Supply Voltage	45V	7V
Differential Input Voltage (Note 2)	±40V	±7V
Power Dissipation (Note 3)	internally limited	
Output Short-circuit Duration (Note 4)	continuous	
Storage-Temp. Range	-55°C to +150°C	
Lead Temp. (Soldering, 10 seconds)		
Metal Can	300°C	
Lead Temp. (Soldering, 10 seconds) DIP	260°C	
Vapor Phase (60 seconds)	215°C	
Infrared (15 seconds)	220°C	

See AN-450 "Surface Mounting Methods and Their Effect on Product Reliability" for other methods of soldering surface mount devices.

ESD rating is to be determined.

Maximum Junction Temperature

LM10	150°C
LM10B	100°C
LM10C	85°C

Operating Ratings

Package Thermal Resistance

θ_{JA}		
H Package		150°C/W
N Package		87°C/W
WM Package		90°C/W
θ_{JC}		
H Package		45°C/W

Electrical Characteristics

$T_J=25^\circ\text{C}$, $T_{MIN} \leq T_J \leq T_{MAX}$ (Boldface type refers to limits over temperature range) (Note 5)

Parameter	Conditions	LM10/LM10B			LM10C			Units
		Min	Typ	Max	Min	Typ	Max	
Input offset voltage			0.3	2.0		0.5	4.0	mV
				3.0			5.0	mV
Input offset current (Note 6)			0.25	0.7		0.4	2.0	nA
				1.5			3.0	nA
Input bias current			10	20		12	30	nA
				30			40	nA
Input resistance		250	500		150	400		k Ω
		150			115			k Ω
Large signal voltage gain	$V_S = \pm 20\text{V}$, $I_{OUT} = 0$	120	400		80	400		V/mV
	$V_{OUT} = \pm 19.95\text{V}$	80			50			V/mV
	$V_S = \pm 20\text{V}$, $V_{OUT} = \pm 19.4\text{V}$	50	130		25	130		V/mV
	$I_{OUT} = \pm 20\text{ mA}$ ($\pm 15\text{ mA}$)	20			15			V/mV
	$V_S = \pm 0.6\text{V}$ (0.65V), $I_{OUT} = \pm 2\text{ mA}$	1.5	3.0		1.0	3.0		V/mV
	$V_{OUT} = \pm 0.4\text{V}$ ($\pm 0.3\text{V}$), $V_{CM} = -0.4\text{V}$	0.5			0.75			V/mV
Shunt gain (Note 7)	1.2V (1.3V) $\leq V_{OUT} \leq 40\text{V}$, $R_L = 1.1\text{ k}\Omega$	14	33		10	33		V/mV
	$0.1\text{ mA} \leq I_{OUT} \leq 5\text{ mA}$	6			6			V/mV
	$1.5\text{V} \leq V^+ \leq 40\text{V}$, $R_L = 250\Omega$	8	25		6	25		V/mV
	$0.1\text{ mA} \leq I_{OUT} \leq 20\text{ mA}$	4			4			V/mV
Common-mode rejection	$-20\text{V} \leq V_{CM} \leq 19.15\text{V}$ (19V)	93	102		90	102		dB
	$V_S = \pm 20\text{V}$	87			87			dB
Supply-voltage rejection	$-0.2\text{V} \geq V^- \geq -39\text{V}$	90	96		87	96		dB
	$V^+ = 1.0\text{V}$ (1.1V)	84			84			dB
	1.0V (1.1V) $\leq V^+ \leq 39.8\text{V}$	96	106		93	106		dB
	$V^- = -0.2\text{V}$	90			90			dB
Offset voltage drift			2.0			5.0		$\mu\text{V}/^\circ\text{C}$
Offset current drift			2.0			5.0		$\text{pA}/^\circ\text{C}$
Bias current drift	$T_C < 100^\circ\text{C}$		60			90		$\text{pA}/^\circ\text{C}$

Electrical Characteristics (Continued) $T_J=25^\circ\text{C}$, $T_{\text{MIN}} \leq T_J \leq T_{\text{MAX}}$ (Boldface type refers to limits over temperature range) (Note 5)

Parameter	Conditions	LM10/LM10B			LM10C			Units
		Min	Typ	Max	Min	Typ	Max	
Line regulation	$1.2\text{V (1.3V)} \leq V_S \leq 40\text{V}$		0.001	0.003		0.001	0.008	%/V
	$0 \leq I_{\text{REF}} \leq 1.0\text{ mA}$, $V_{\text{REF}}=200\text{ mV}$			0.006			0.01	%/V
Load regulation	$0 \leq I_{\text{REF}} \leq 1.0\text{ mA}$		0.01	0.1		0.01	0.15	%
	$V^+ - V_{\text{REF}} \geq 1.0\text{V (1.1V)}$			0.15			0.2	%
Amplifier gain	$0.2\text{V} \leq V_{\text{REF}} \leq 35\text{V}$	50	75		25	70		V/mV
		23			15			V/mV
Feedback sense voltage		195	200	205	190	200	210	mV
		194		206	189		211	mV
Feedback current			20	50		22	75	nA
				65			90	nA
Reference drift			0.002			0.003		%/°C
Supply current			270	400		300	500	μA
				500			570	μA
Supply current change	$1.2\text{V (1.3V)} \leq V_S \leq 40\text{V}$		15	75		15	75	μA

Electrical Characteristics $T_J=25^\circ\text{C}$, $T_{\text{MIN}} \leq T_J \leq T_{\text{MAX}}$ (Boldface type refers to limits over temperature range) (Note 5)

Parameter	Conditions	LM10BL			LM10CL			Units
		Min	Typ	Max	Min	Typ	Max	
Input offset voltage			0.3	2.0		0.5	4.0	mV
				3.0			5.0	mV
Input offset current (Note 6)			0.1	0.7		0.2	2.0	nA
				1.5			3.0	nA
Input bias current			10	20		12	30	nA
				30			40	nA
Input resistance		250	500		150	400		kΩ
		150			115			kΩ
Large signal voltage gain	$V_S = \pm 3.25\text{V}$, $I_{\text{OUT}}=0$	60	300		40	300		V/mV
	$V_{\text{OUT}} = \pm 3.2\text{V}$	40			25			V/mV
	$V_S = \pm 3.25\text{V}$, $I_{\text{OUT}}=10\text{ mA}$	10	25		5	25		V/mV
	$V_{\text{OUT}} = \pm 2.75\text{ V}$	4			3			V/mV
	$V_S = \pm 0.6\text{V (0.65V)}$, $I_{\text{OUT}} = \pm 2\text{ mA}$	1.5	3.0		1.0	3.0		V/mV
	$V_{\text{OUT}} = \pm 0.4\text{V (}\pm 0.3\text{V)}$, $V_{\text{CM}} = -0.4\text{V}$	0.5			0.75			V/mV
Shunt gain (Note 7)	$1.5\text{V} \leq V^+ \leq 6.5\text{V}$, $R_L=500\Omega$	8	30		6	30		V/mV
	$0.1\text{ mA} \leq I_{\text{OUT}} \leq 10\text{ mA}$	4			4			V/mV
Common-mode rejection	$-3.25\text{V} \leq V_{\text{CM}} \leq 2.4\text{V (2.25V)}$	89	102		80	102		dB
	$V_S = \pm 3.25\text{V}$	83			74			dB
Supply-voltage rejection	$-0.2\text{V} \geq V^- \geq -5.4\text{V}$	86	96		80	96		dB
	$V^+ = 1.0\text{V (1.2V)}$	80			74			dB
	$1.0\text{V (1.1V)} \leq V^+ \leq 6.3\text{V}$	94	106		80	106		dB
	$V^- = 0.2\text{V}$	88			74			dB
Offset voltage drift			2.0			5.0		μV/°C
Offset current drift			2.0			5.0		pA/°C
Bias current drift			60			90		pA/°C
Line regulation	$1.2\text{V (1.3V)} \leq V_S \leq 6.5\text{V}$		0.001	0.01		0.001	0.02	%/V
	$0 \leq I_{\text{REF}} \leq 0.5\text{ mA}$, $V_{\text{REF}}=200\text{ mV}$			0.02			0.03	%/V

Electrical Characteristics (Continued)

$T_J=25^\circ\text{C}$, $T_{\text{MIN}}\leq T_J\leq T_{\text{MAX}}$ (**Boldface type refers to limits over temperature range**) (Note 5)

Parameter	Conditions	LM10BL			LM10CL			Units
		Min	Typ	Max	Min	Typ	Max	
Load regulation	$0\leq I_{\text{REF}}\leq 0.5\text{ mA}$		0.01	0.1		0.01	0.15	%
	$V^+-V_{\text{REF}}\geq 1.0\text{V}$ (1.1V)			0.15			0.2	%
Amplifier gain	$0.2\text{V}\leq V_{\text{REF}}\leq 5.5\text{V}$	30	70		20	70		V/mV
		20			15			V/mV
Feedback sense voltage		195	200	205	190	200	210	mV
		194		206	189		211	mV
Feedback current			20	50		22	75	nA
				65			90	nA
Reference drift			0.002			0.003		%/ $^\circ\text{C}$
Supply current			260	400		280	500	μA
				500			570	μA

Note 1: Absolute Maximum Ratings indicate limits beyond which damage to the device may occur. Operating Ratings indicate conditions for which the device is functional, but do not guarantee specific performance limits.

Note 2: The input voltage can exceed the supply voltages provided that the voltage from the input to any other terminal does not exceed the maximum differential input voltage and excess dissipation is accounted for when $V_{\text{IN}}<V^-$.

Note 3: The maximum, operating-junction temperature is 150°C for the LM10, 100°C for the LM10B(L) and 85°C for the LM10C(L). At elevated temperatures, devices must be derated based on package thermal resistance.

Note 4: Internal thermal limiting prevents excessive heating that could result in sudden failure, but the IC can be subjected to accelerated stress with a shorted output and worst-case conditions.

Note 5: These specifications apply for $V^-\leq V_{\text{CM}}\leq V^+-0.85\text{V}$ (**1.0V**), 1.2V (**1.3V**) $<V_{\text{S}}\leq V_{\text{MAX}}$, $V_{\text{REF}}=0.2\text{V}$ and $0\leq I_{\text{REF}}\leq 1.0\text{ mA}$, unless otherwise specified: $V_{\text{MAX}}=40\text{V}$ for the standard part and 6.5V for the low voltage part. Normal typeface indicates 25°C limits. **Boldface type indicates limits and altered test conditions for full-temperature-range operation**; this is -55°C to 125°C for the LM10, -25°C to 85°C for the LM10B(L) and 0°C to 70°C for the LM10C(L). The specifications do not include the effects of thermal gradients ($\tau_1=20\text{ ms}$), die heating ($\tau_2=0.2\text{ s}$) or package heating. Gradient effects are small and tend to offset the electrical error (see curves).

Note 6: For $T_J>90^\circ\text{C}$, I_{OS} may exceed 1.5 nA for $V_{\text{CM}}=V^-$. With $T_J=125^\circ\text{C}$ and $V^-\leq V_{\text{CM}}\leq V^-+0.1\text{V}$, $I_{\text{OS}}\leq 5\text{ nA}$.

Note 7: This defines operation in floating applications such as the bootstrapped regulator or two-wire transmitter. Output is connected to the V^+ terminal of the IC and input common mode is referred to V^- (see typical applications). Effect of larger output-voltage swings with higher load resistance can be accounted for by adding the positive-supply rejection error.

Note 8: Refer to RETS10X for LM10H military specifications.

Definition of Terms

Input offset voltage: That voltage which must be applied between the input terminals to bias the unloaded output in the linear region.

Input offset current: The difference in the currents at the input terminals when the unloaded output is in the linear region.

Input bias current: The absolute value of the average of the two input currents.

Input resistance: The ratio of the change in input voltage to the change in input current on either input with the other grounded.

Large signal voltage gain: The ratio of the specified output voltage swing to the change in differential input voltage required to produce it.

Shunt gain: The ratio of the specified output voltage swing to the change in differential input voltage required to produce it with the output tied to the V^+ terminal of the IC. The load and power source are connected between the V^+ and V^- terminals, and input common-mode is referred to the V^- terminal.

Common-mode rejection: The ratio of the input voltage range to the change in offset voltage between the extremes.

Supply-voltage rejection: The ratio of the specified supply-voltage change to the change in offset voltage between the extremes.

Line regulation: The average change in reference output voltage over the specified supply voltage range.

Load regulation: The change in reference output voltage from no load to that load specified.

Feedback sense voltage: The voltage, referred to V^- , on the reference feedback terminal while operating in regulation.

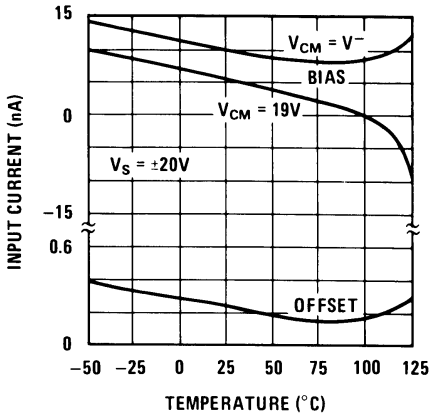
Reference amplifier gain: The ratio of the specified reference output change to the change in feedback sense voltage required to produce it.

Feedback current: The absolute value of the current at the feedback terminal when operating in regulation.

Supply current: The current required from the power source to operate the amplifier and reference with their outputs unloaded and operating in the linear range.

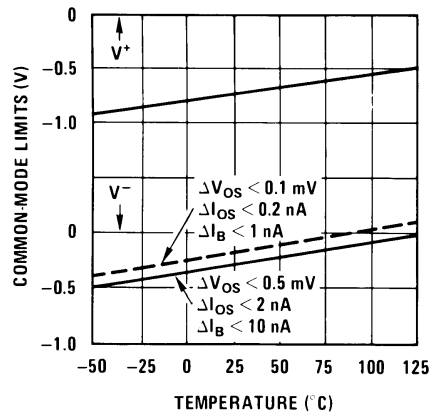
Typical Performance Characteristics (Op Amp)

Input Current



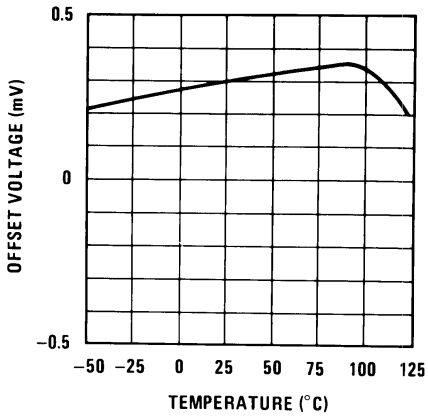
00565218

Common Mode Limits



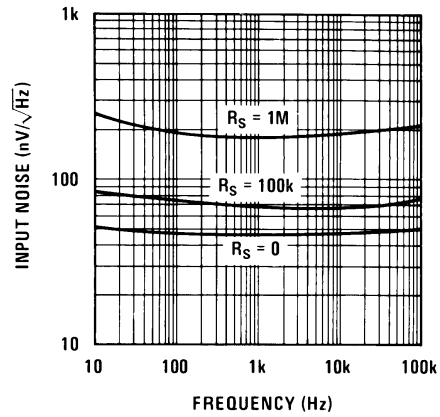
00565219

Output Voltage Drift



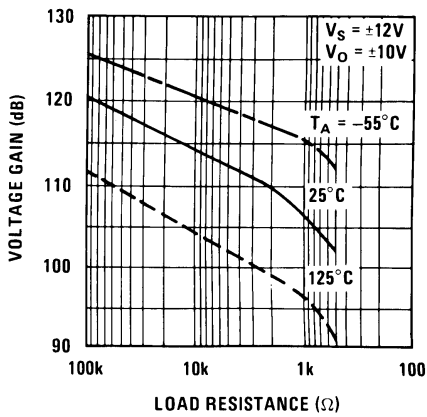
00565220

Input Noise Voltage



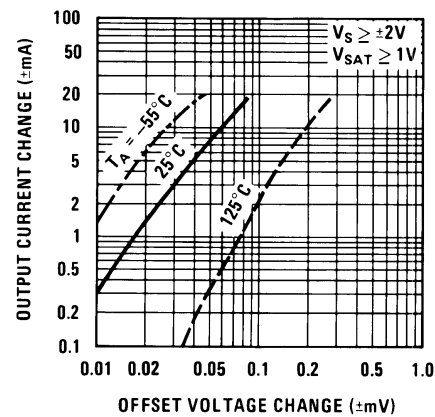
00565221

DC Voltage Gain



00565222

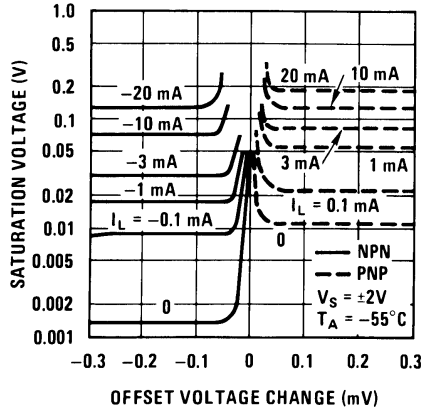
Transconductance



00565223

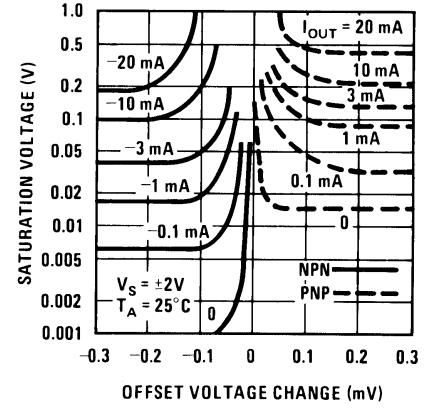
Typical Performance Characteristics (Op Amp) (Continued)

Output Saturation Characteristics



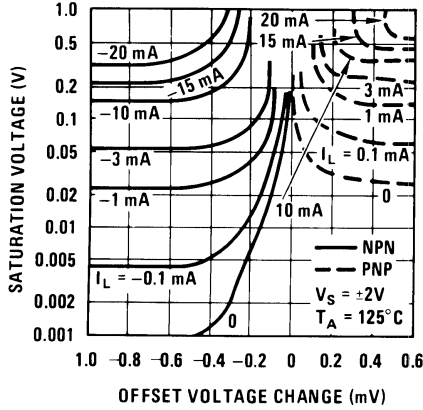
00565224

Output Saturation Characteristics



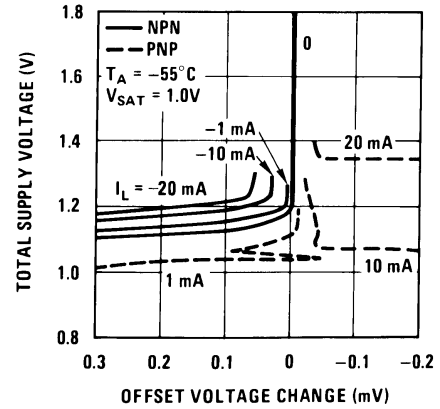
00565225

Output Saturation Characteristics



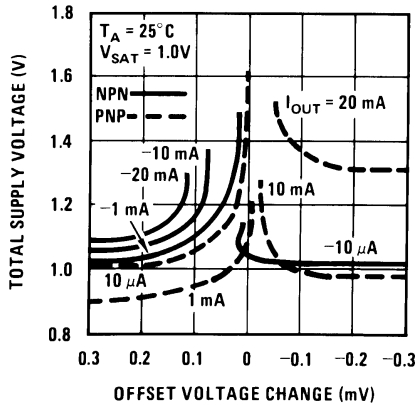
00565226

Minimum Supply Voltage



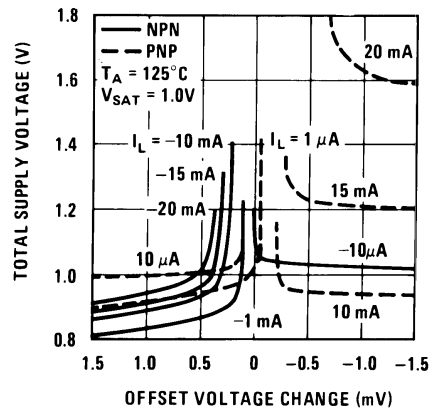
00565227

Minimum Supply Voltage



00565228

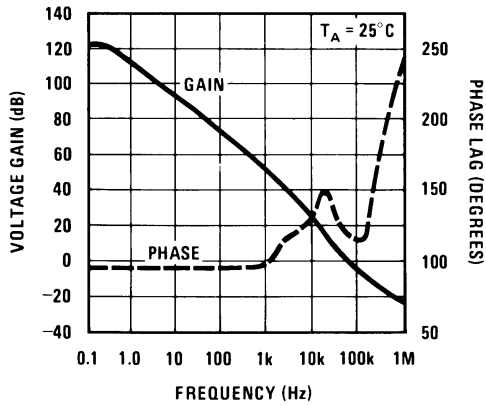
Minimum Supply Voltage



00565229

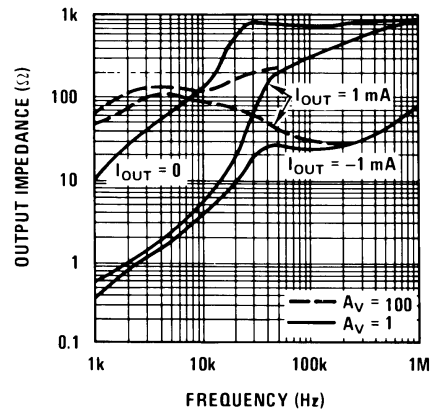
Typical Performance Characteristics (Op Amp) (Continued)

Frequency Response



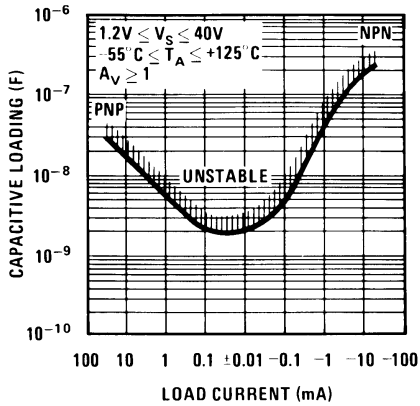
00565230

Output Impedance



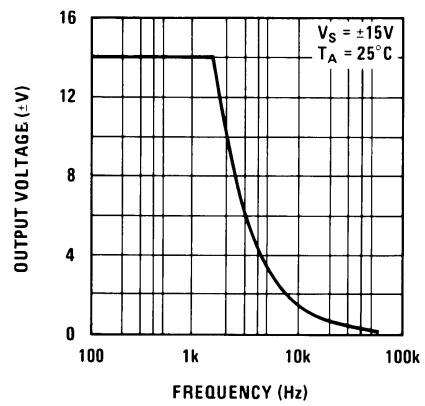
00565231

Typical Stability Range



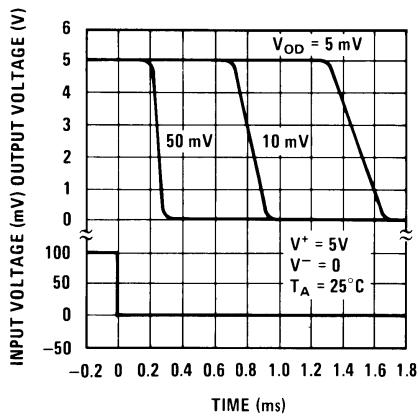
00565232

Large Signal Response



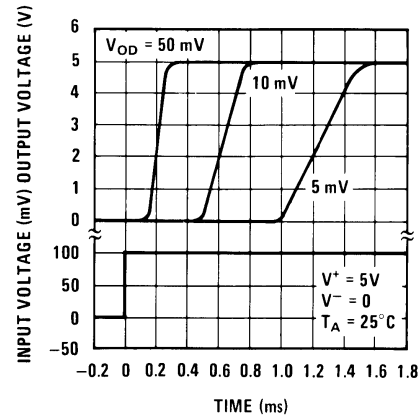
00565233

Comparator Response
Time For Various
Input Overdrives



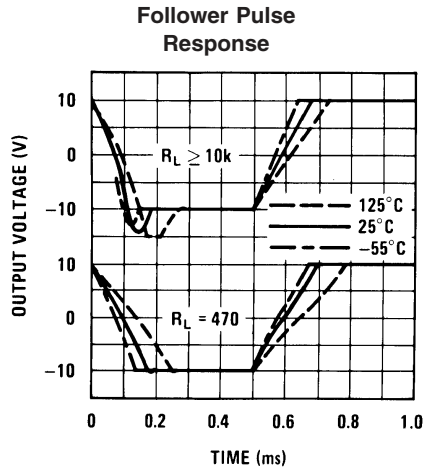
00565234

Comparator Response
Time For Various
Input Overdrives

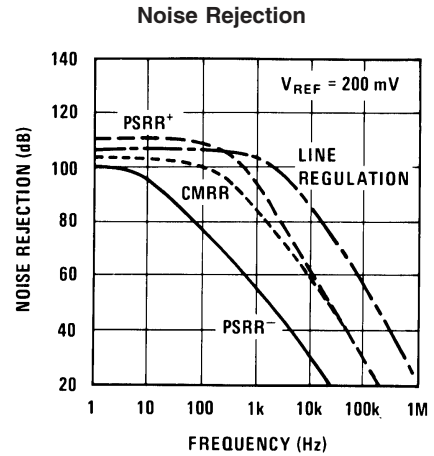


00565235

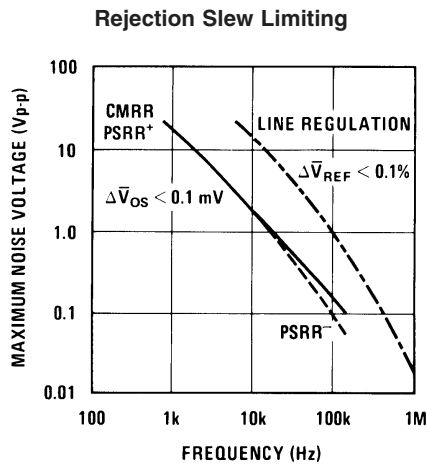
Typical Performance Characteristics (Op Amp) (Continued)



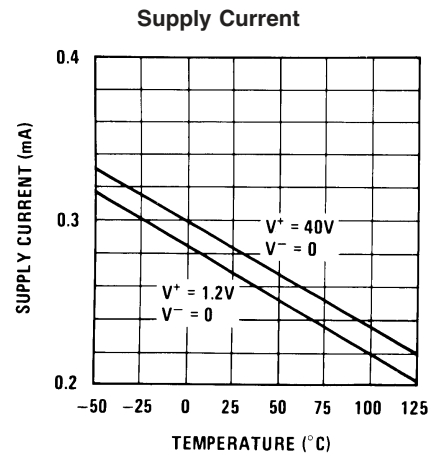
00565236



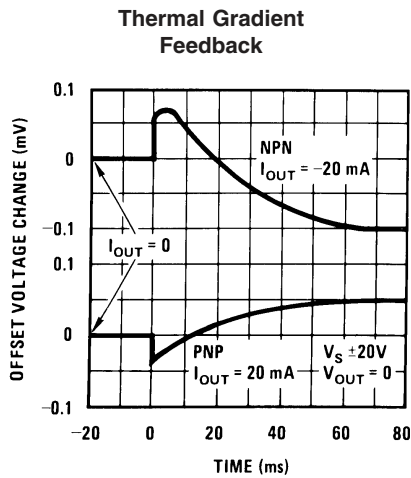
00565237



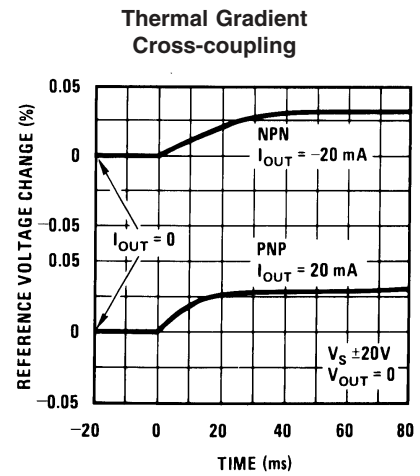
00565238



00565239



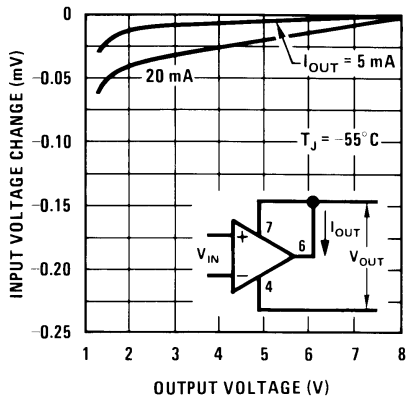
00565240



00565241

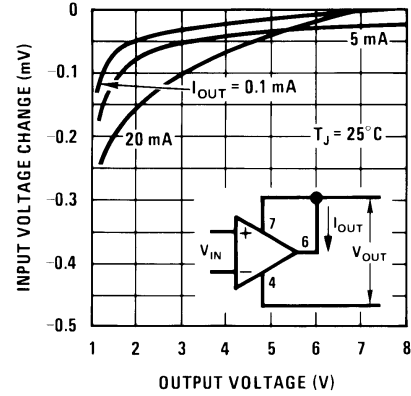
Typical Performance Characteristics (Op Amp) (Continued)

Shunt Gain



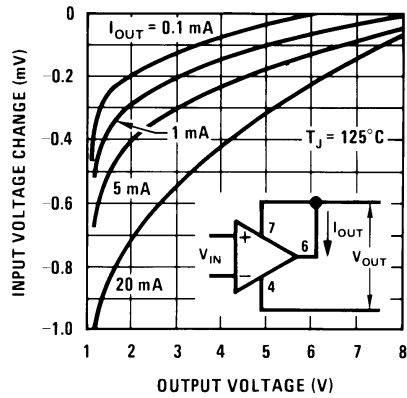
00565242

Shunt Gain



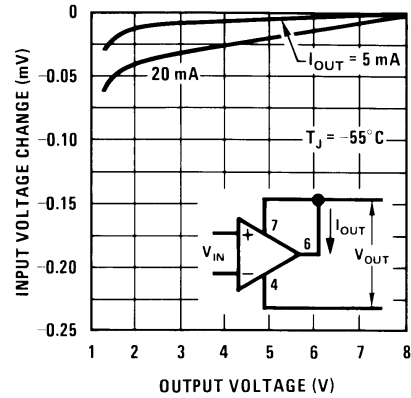
00565243

Shunt Gain



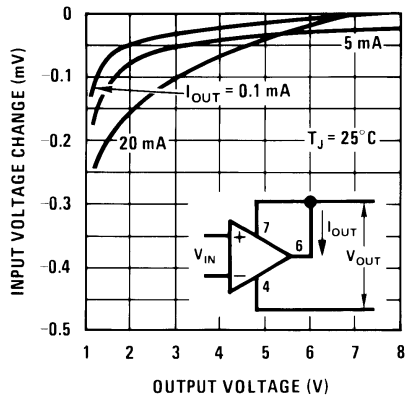
00565244

Shunt Gain



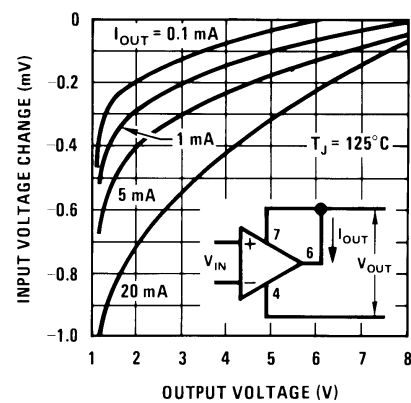
00565242

Shunt Gain



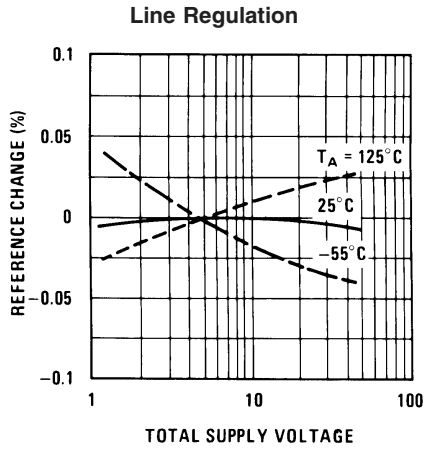
00565243

Shunt Gain

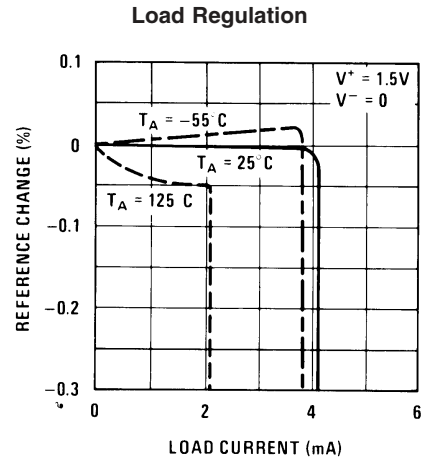


00565244

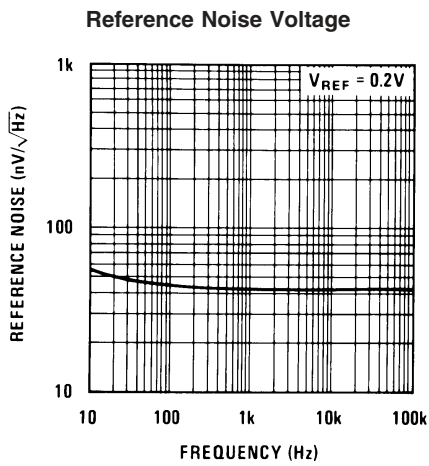
Typical Performance Characteristics (Reference)



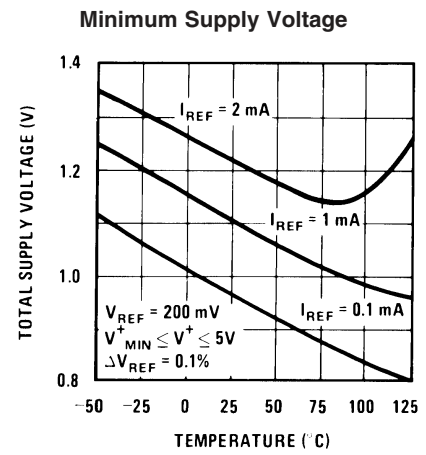
00565245



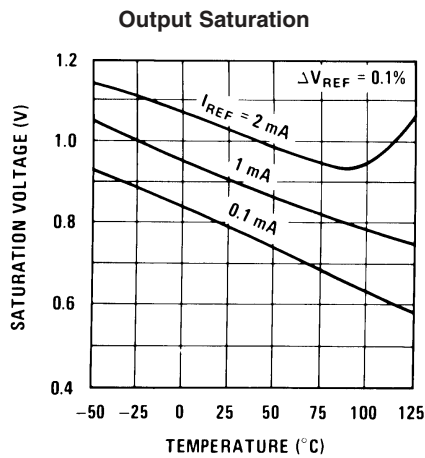
00565246



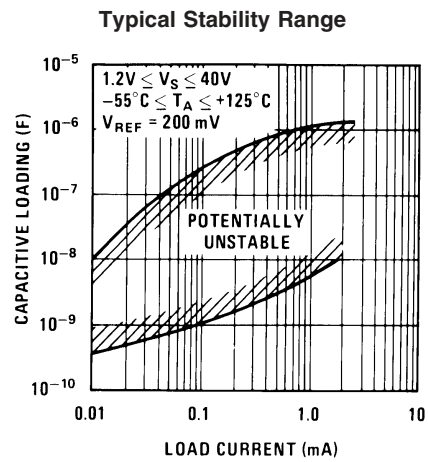
00565247



00565248



00565249

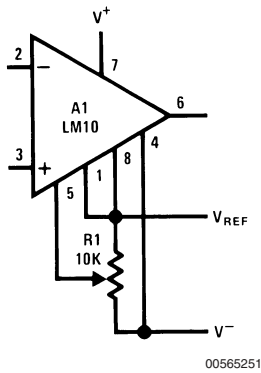


00565250

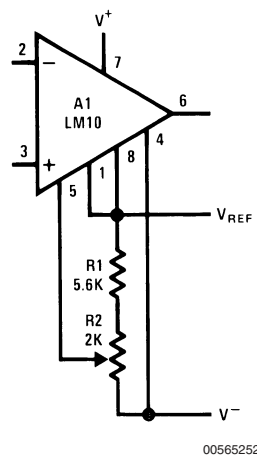
Typical Applications (Note 10) (Pin numbers are for devices in 8-pin packages)

Op Amp Offset Adjustment

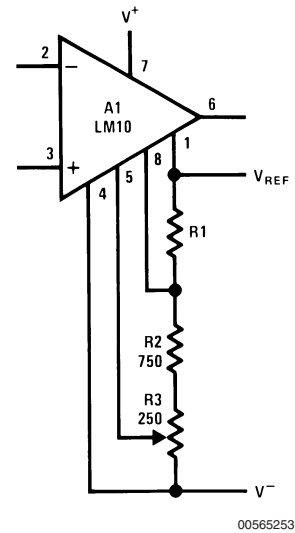
Standard



Limited Range

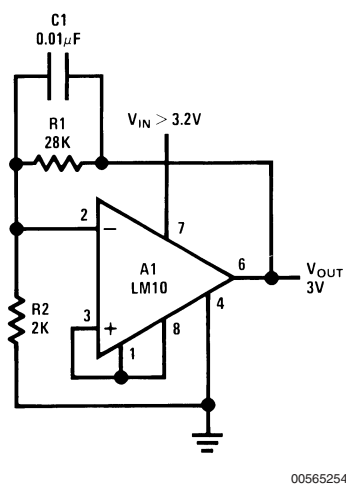


Limited Range With Boosted Reference

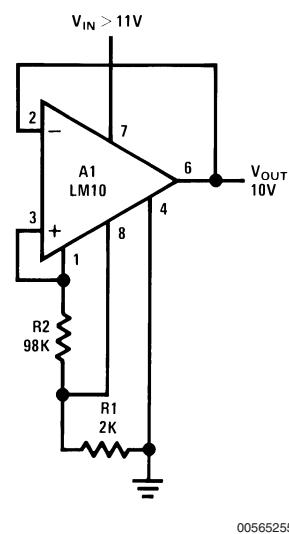


Positive Regulators (Note 9)

Low Voltage

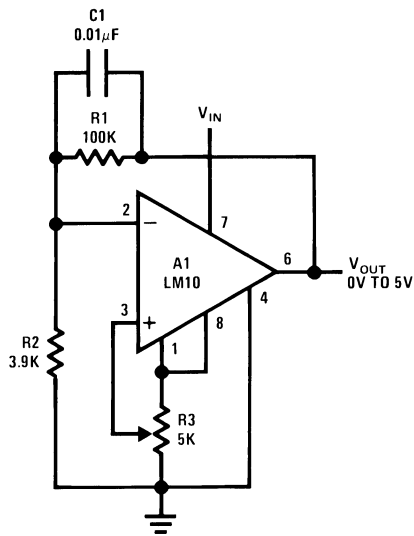


Best Regulation



Typical Applications (Note 10) (Pin numbers are for devices in 8-pin packages) (Continued)

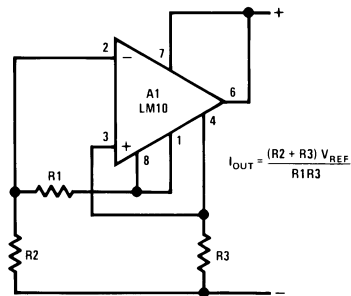
Zero Output



00565256

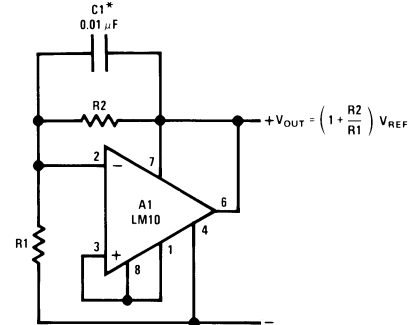
Note 9: Use only electrolytic output capacitors.

Current Regulator



00565257

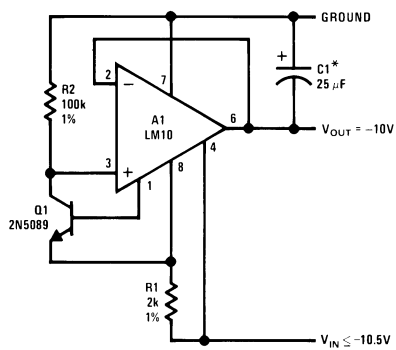
Shunt Regulator



00565258

Required For Capacitive Loading

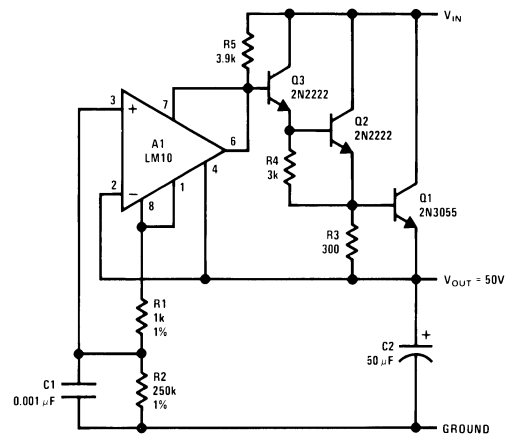
Negative Regulator



00565259

*Electrolytic

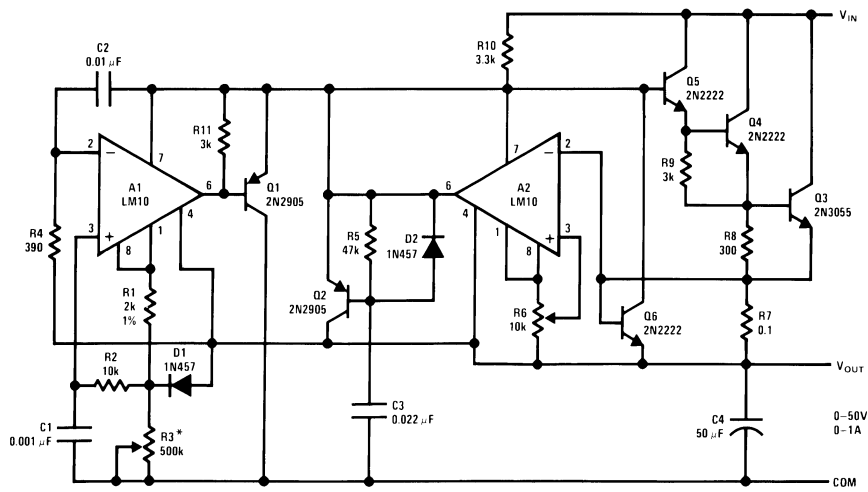
Precision Regulator



00565260

Typical Applications (Note 10) (Pin numbers are for devices in 8-pin packages) (Continued)

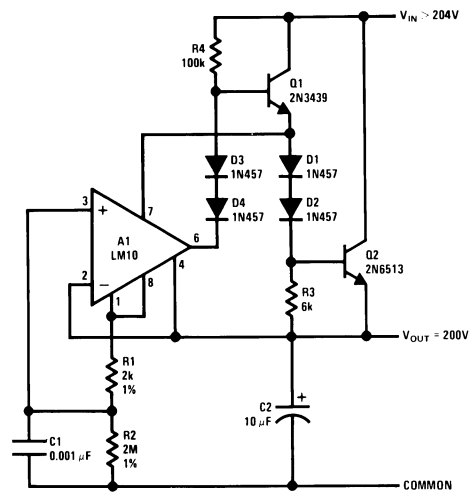
Laboratory Power Supply



00565261

$$*V_{OUT} = 10^{-4} R_3$$

HV Regulator



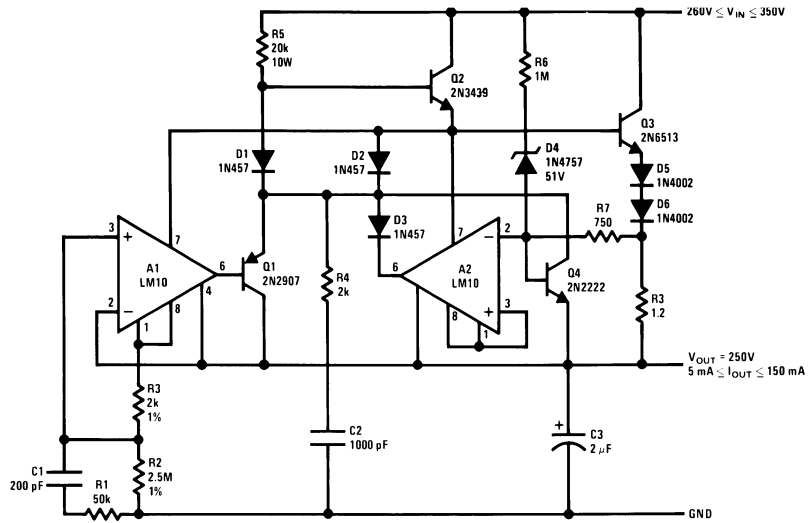
00565262

$$V_{OUT} = \frac{R_2}{R_1} V_{REF}$$

00565284

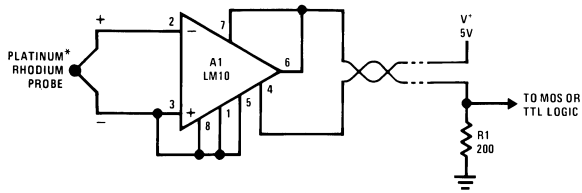
Typical Applications (Note 10) (Pin numbers are for devices in 8-pin packages) (Continued)

Protected HV Regulator



00565263

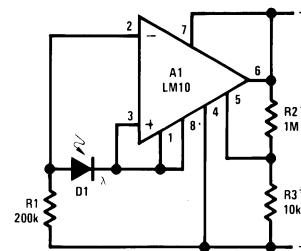
Flame Detector



00565264

*800°C Threshold Is Established By Connecting Balance To V_{REF} .

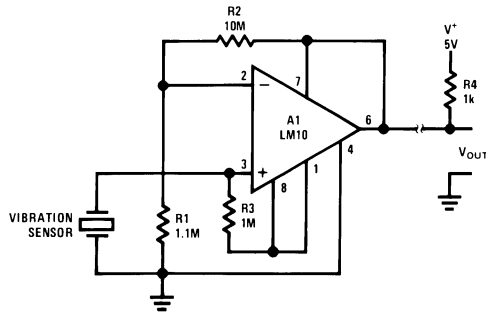
Light Level Sensor



00565265

*Provides Hysteresis

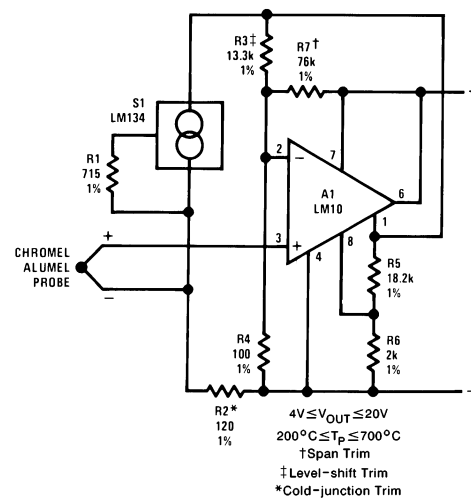
Remote Amplifier



00565266

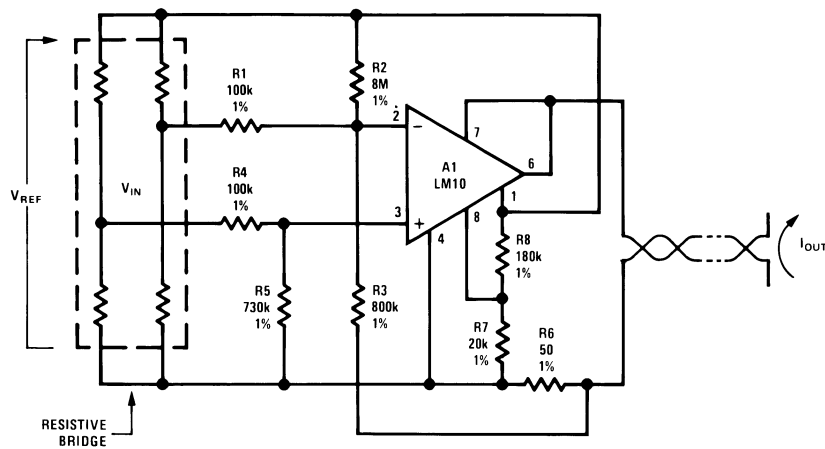
Typical Applications (Note 10) (Pin numbers are for devices in 8-pin packages) (Continued)

Remote Thermocouple Amplifier



00565267

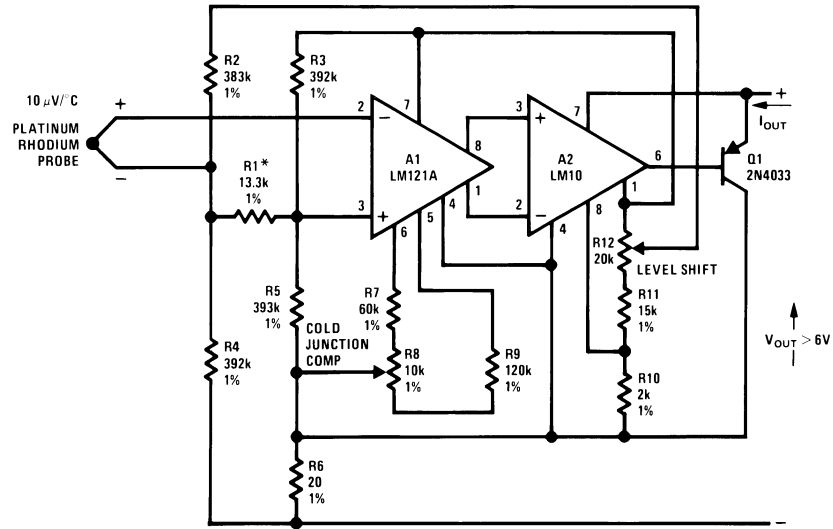
Transmitter for Bridge Sensor



00565268

Typical Applications (Note 10) (Pin numbers are for devices in 8-pin packages) (Continued)

Precision Thermocouple Transmitter



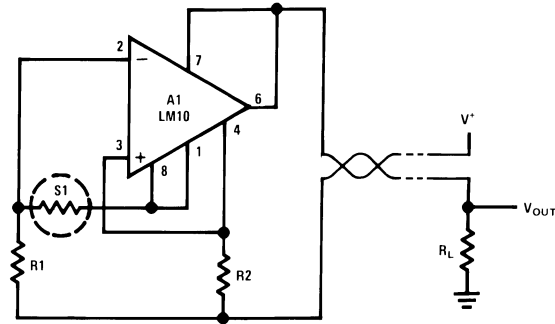
00565269

$10 \text{ mA} \leq I_{OUT} \leq 50 \text{ mA}$

$500^\circ\text{C} \leq T_P \leq 1500^\circ\text{C}$

*Gain Trim

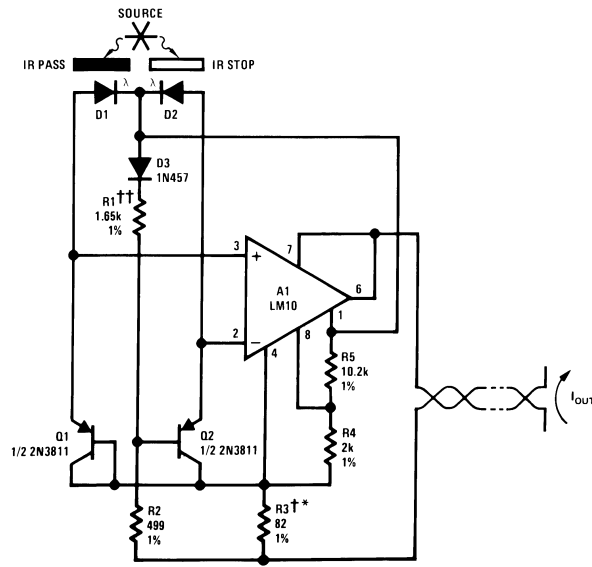
Resistance Thermometer Transmitter



00565270

Typical Applications (Note 10) (Pin numbers are for devices in 8-pin packages) (Continued)

Optical Pyrometer



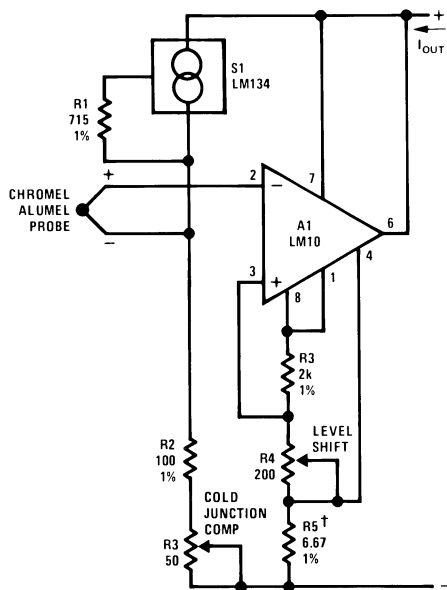
00565271

- ††Level-shift Trim
- *Scale Factor Trim
- †Copper Wire Wound

$$1 \text{ mA} \leq I_{OUT} \leq 5 \text{ mA}$$

$$0.01 \leq \frac{I_{D2}}{I_{D1}} \leq 100$$

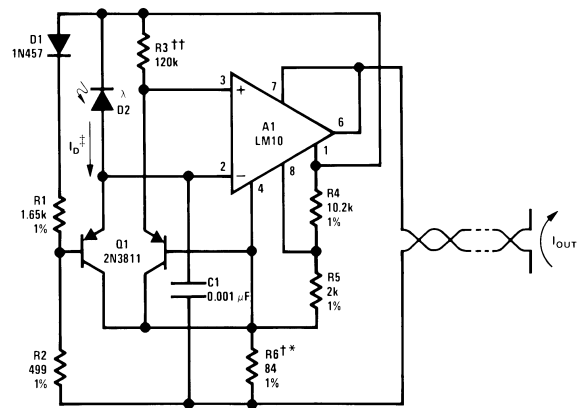
Thermocouple Transmitter



00565272

- $200^{\circ}\text{C} \leq T_p \leq 700^{\circ}\text{C}$
- $1 \text{ mA} \leq I_{OUT} \leq 5 \text{ mA}$
- †Gain Trim

Logarithmic Light Sensor

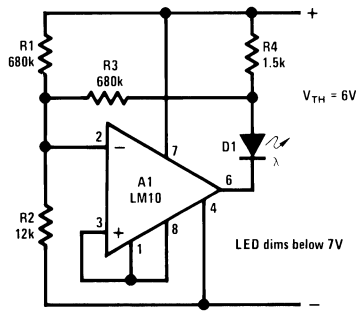


00565273

- $1 \text{ mA} \leq I_{OUT} \leq 5 \text{ mA}$
- $\approx 50 \mu\text{A} \leq I_D \leq 500 \mu\text{A}$
- ††Center Scale Trim
- †Scale Factor Trim
- *Copper Wire Wound

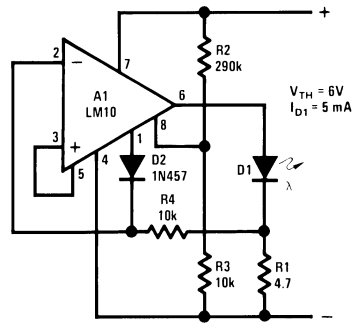
Typical Applications (Note 10) (Pin numbers are for devices in 8-pin packages) (Continued)

Battery-level Indicator



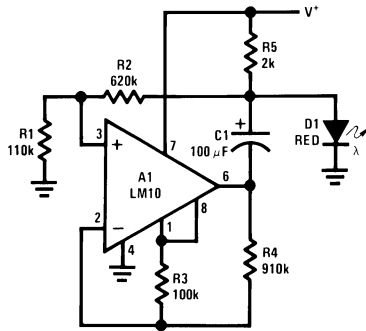
00565274

Battery-threshold Indicator



00565275

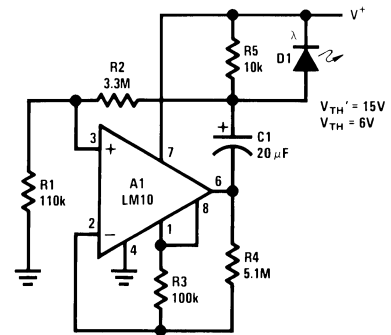
Single-cell Voltage Monitor



00565276

Flashes Above 1.2V
Rate Increases With
Voltage

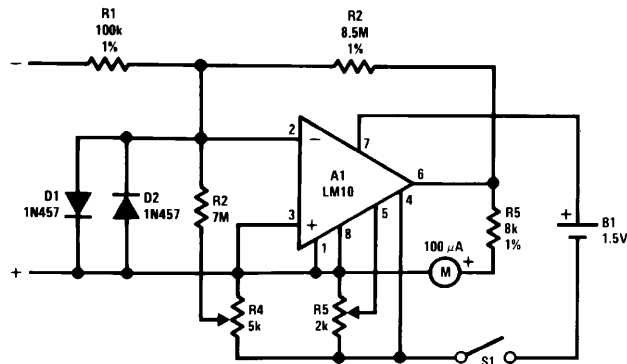
Double-ended Voltage Monitor



00565277

Flash Rate Increases
Above 6V and Below 15V

Meter Amplifier

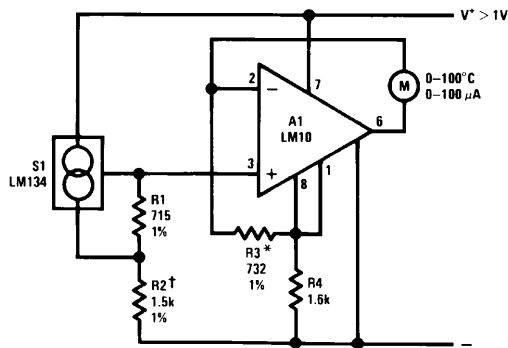


00565278

INPUT
10 mV, 100nA
FULL-SCALE

Typical Applications (Note 10) (Pin numbers are for devices in 8-pin packages) (Continued)

Thermometer

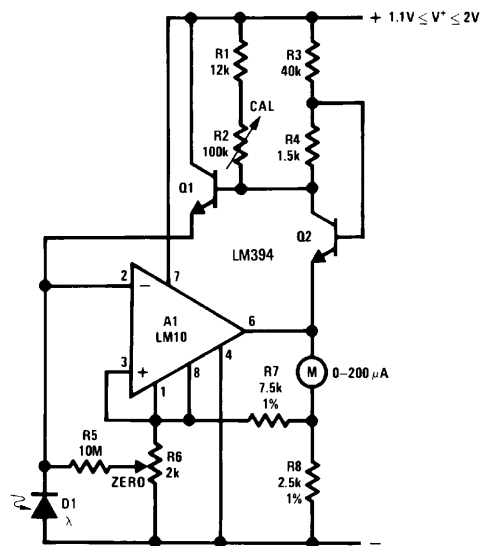


00565279

*Trim For Span

†Trim For Zero

Light Meter

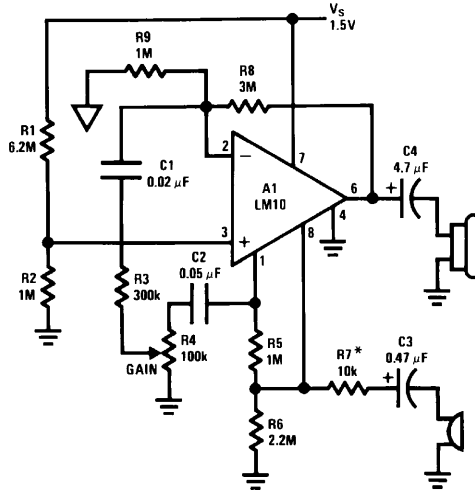


00565280

 $1 \leq \lambda_0 \leq 10^5$

Typical Applications (Note 10) (Pin numbers are for devices in 8-pin packages) (Continued)

Microphone Amplifier



00565281

Z_{OUT} -680 Ω @ 5 kHz

$A_V \leq 1k$

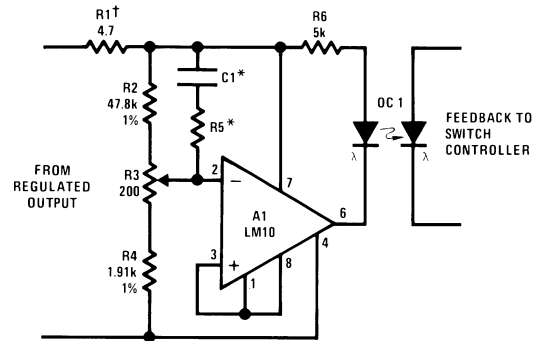
f_1 -100 Hz

f_2 -5 kHz

R_L -500

*Max Gain Trim

Isolated Voltage Sensor



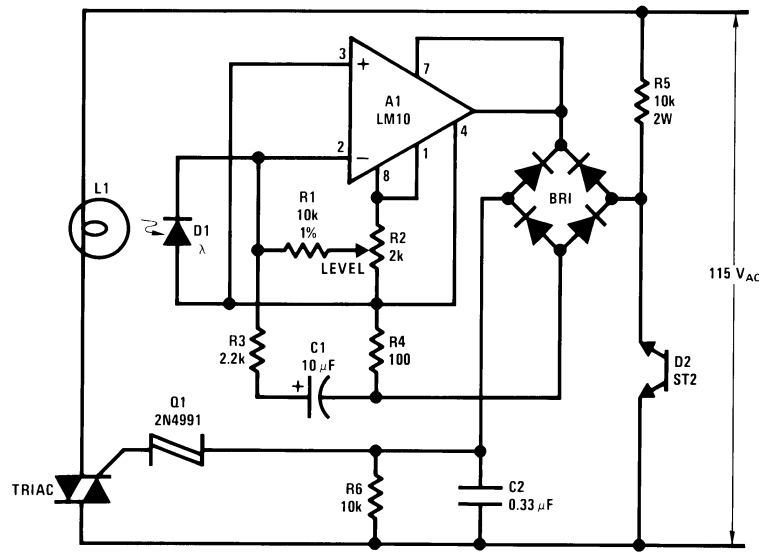
00565282

†Controls "Loop Gain"

*Optional Frequency Shaping

Typical Applications (Note 10) (Pin numbers are for devices in 8-pin packages) (Continued)

Light-level Controller



00565283

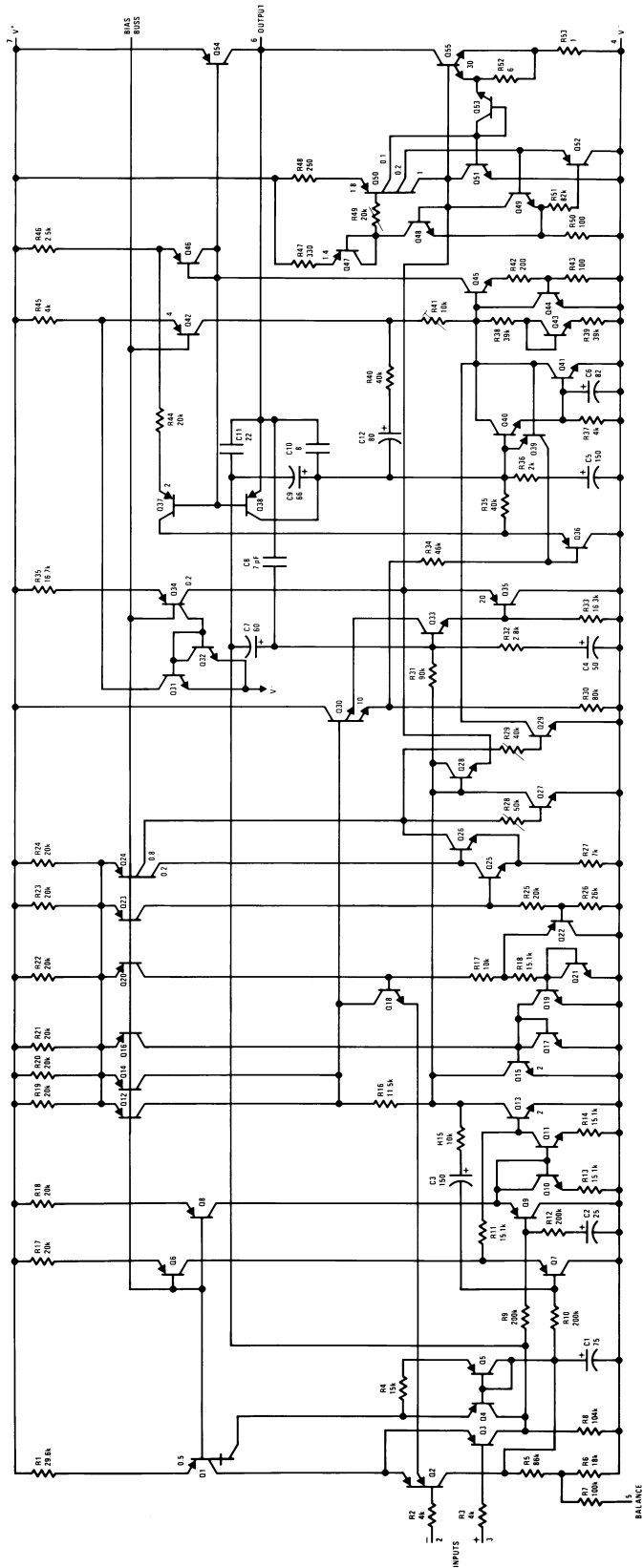
Note 10: Circuit descriptions available in application note AN-211.

Application Hints

With heavy amplifier loading to V^- , resistance drops in the V^- lead can adversely affect reference regulation. Lead resistance can approach 1Ω . Therefore, the common to the

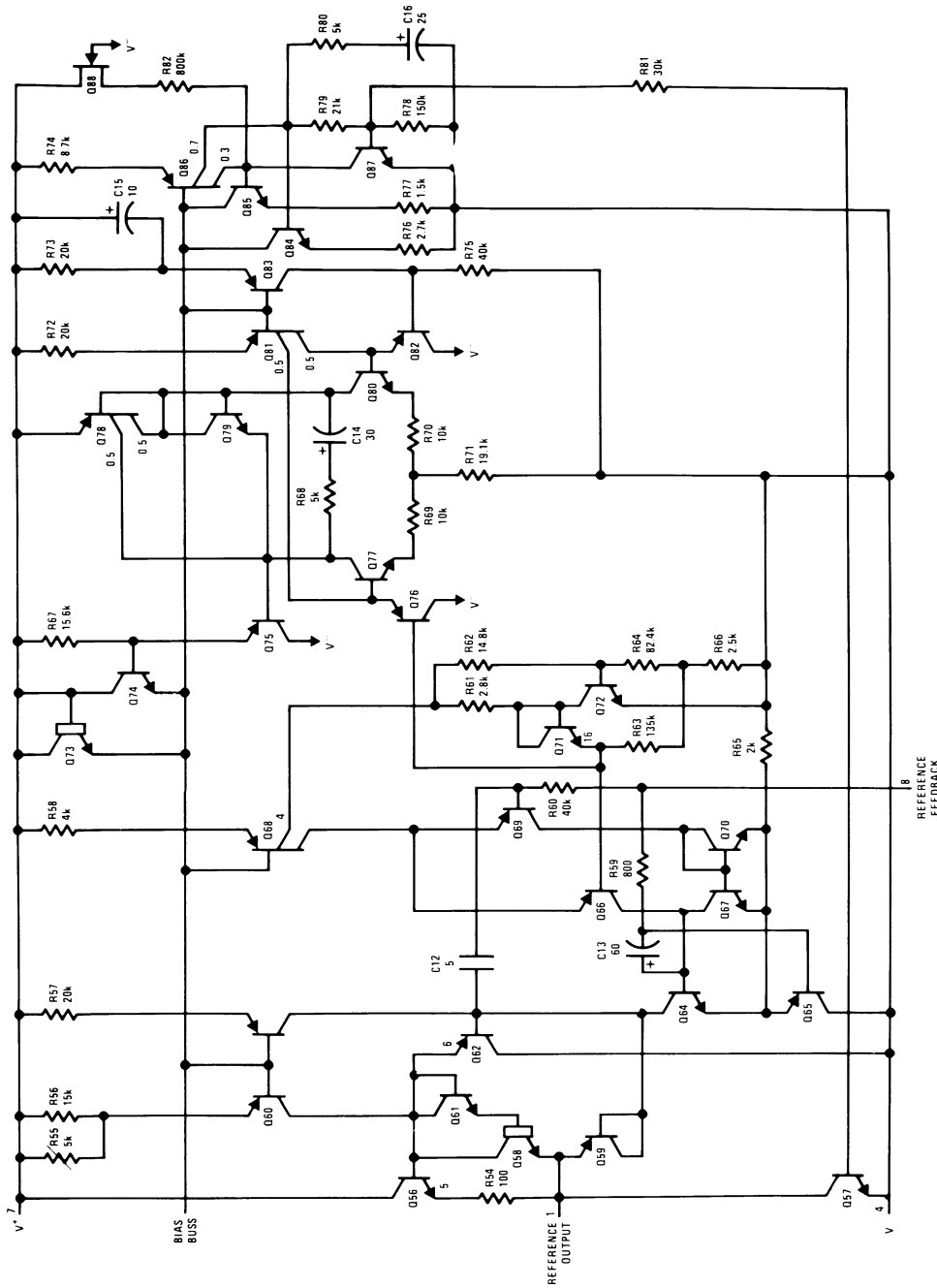
reference circuitry should be connected as close as possible to the package.

Operational Amplifier Schematic (Pin numbers are for 8-pin packages)



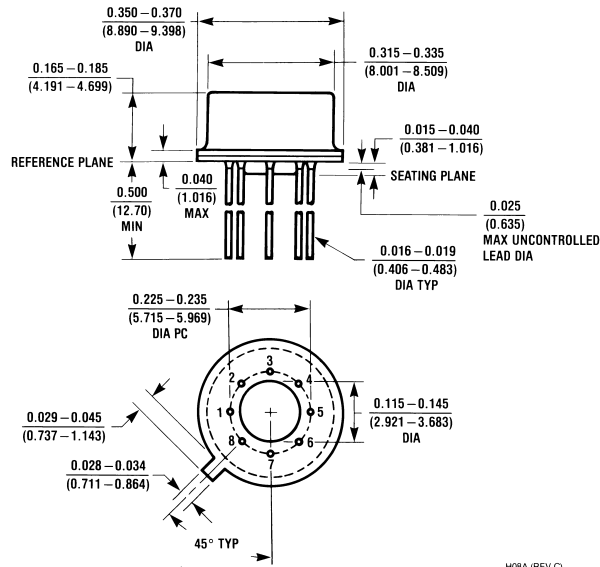
00565213

Reference and Internal Regulator (Pin numbers are for 8-pin packages)

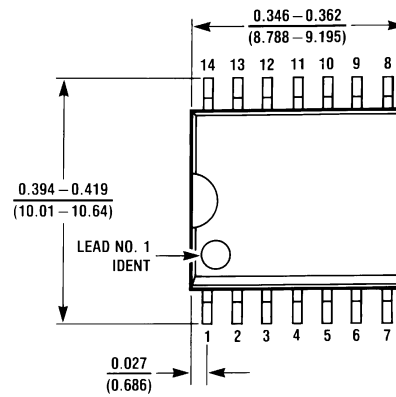


00565214

Physical Dimensions inches (millimeters) unless otherwise noted

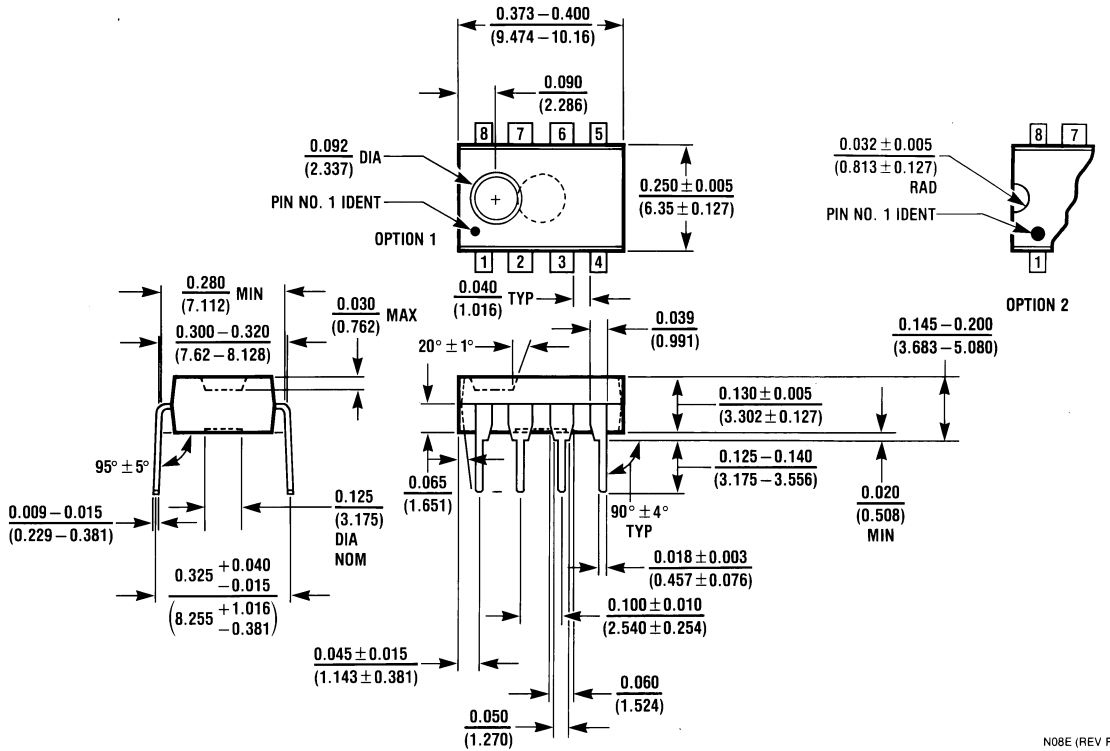


Metal Can Package (H)
Order Number LM10BH, LM10CH, LM10CLH or LM10H/883
NS Package Number H08A



S.O. Package (WM)
Order Number LM10CWM or LM10CWMX
NS Package Number M14B

Physical Dimensions inches (millimeters) unless otherwise noted (Continued)



Dual-In-Line Package (N)
Order Number LM10CN or LM10CLN
NS Package Number N08E

N08E (REV F)

LIFE SUPPORT POLICY

NATIONAL'S PRODUCTS ARE NOT AUTHORIZED FOR USE AS CRITICAL COMPONENTS IN LIFE SUPPORT DEVICES OR SYSTEMS WITHOUT THE EXPRESS WRITTEN APPROVAL OF THE PRESIDENT AND GENERAL COUNSEL OF NATIONAL SEMICONDUCTOR CORPORATION. As used herein:

1. Life support devices or systems are devices or systems which, (a) are intended for surgical implant into the body, or (b) support or sustain life, and whose failure to perform when properly used in accordance with instructions for use provided in the labeling, can be reasonably expected to result in a significant injury to the user.
2. A critical component is any component of a life support device or system whose failure to perform can be reasonably expected to cause the failure of the life support device or system, or to affect its safety or effectiveness.

BANNED SUBSTANCE COMPLIANCE

National Semiconductor certifies that the products and packing materials meet the provisions of the Customer Products Stewardship Specification (CSP-9-111C2) and the Banned Substances and Materials of Interest Specification (CSP-9-111S2) and contain no "Banned Substances" as defined in CSP-9-111S2.

National Semiconductor
Americas Customer Support Center
 Email: new.feedback@nsc.com
 Tel: 1-800-272-9959

National Semiconductor
Europe Customer Support Center
 Fax: +49 (0) 180-530 85 86
 Email: europe.support@nsc.com
 Deutsch Tel: +49 (0) 69 9508 6208
 English Tel: +44 (0) 870 24 0 2171
 Français Tel: +33 (0) 1 41 91 8790

National Semiconductor
Asia Pacific Customer Support Center
 Email: ap.support@nsc.com

National Semiconductor
Japan Customer Support Center
 Fax: 81-3-5639-7507
 Email: jpn.feedback@nsc.com
 Tel: 81-3-5639-7560

www.national.com

National does not assume any responsibility for use of any circuitry described, no circuit patent licenses are implied and National reserves the right at any time without notice to change said circuitry and specifications.